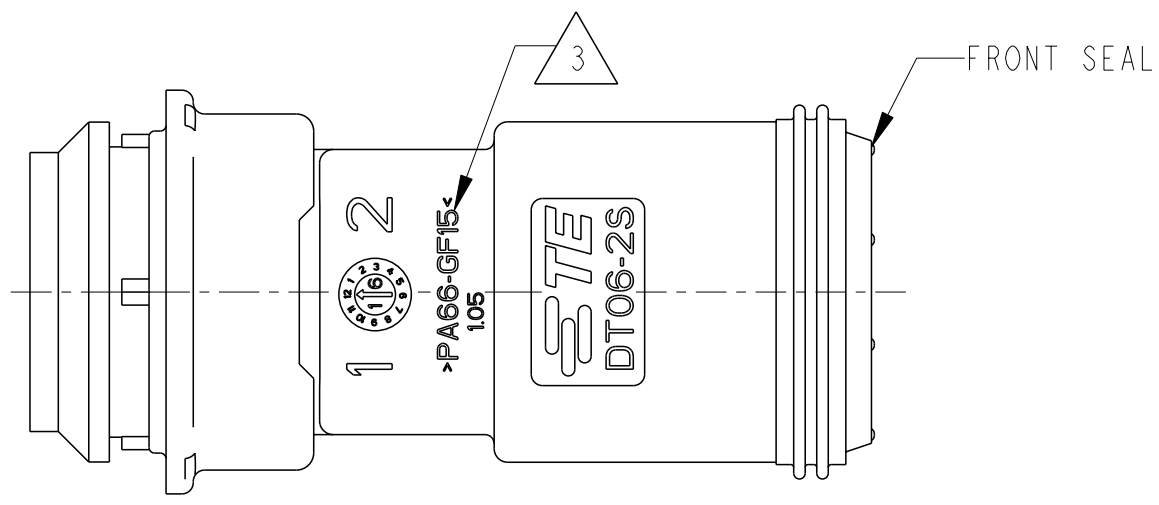
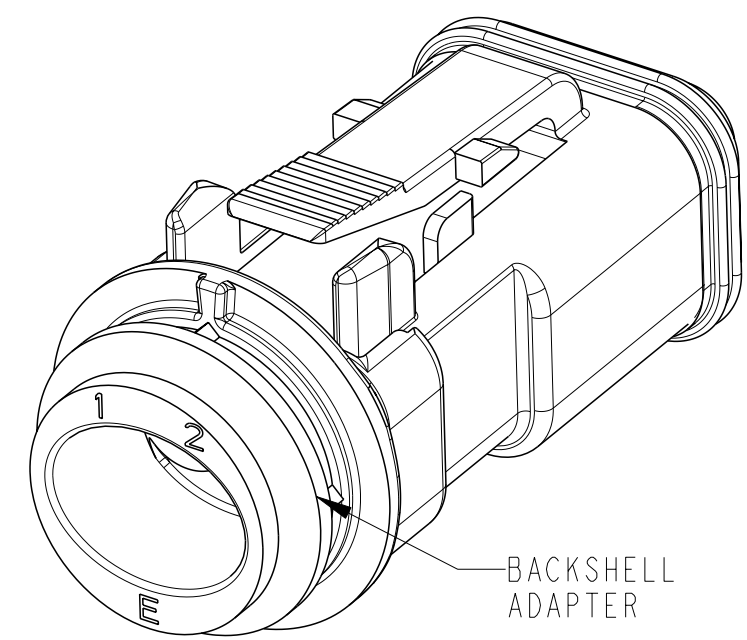
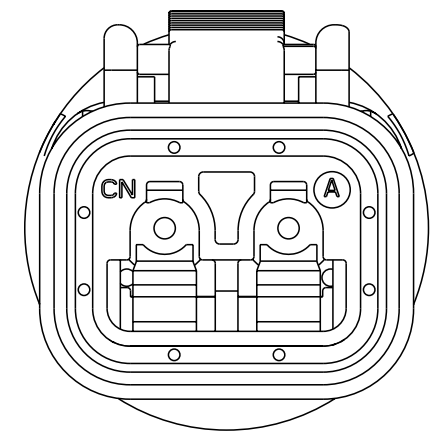
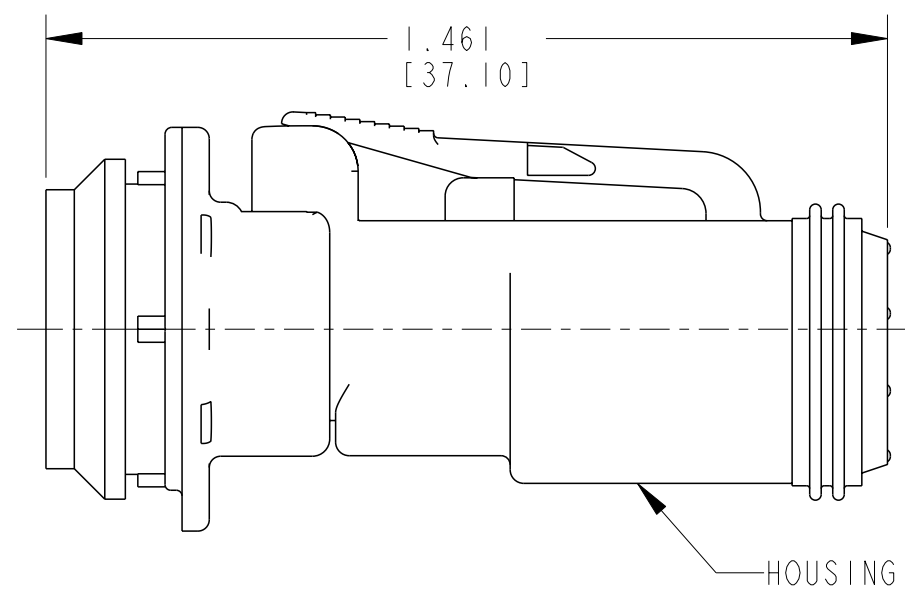
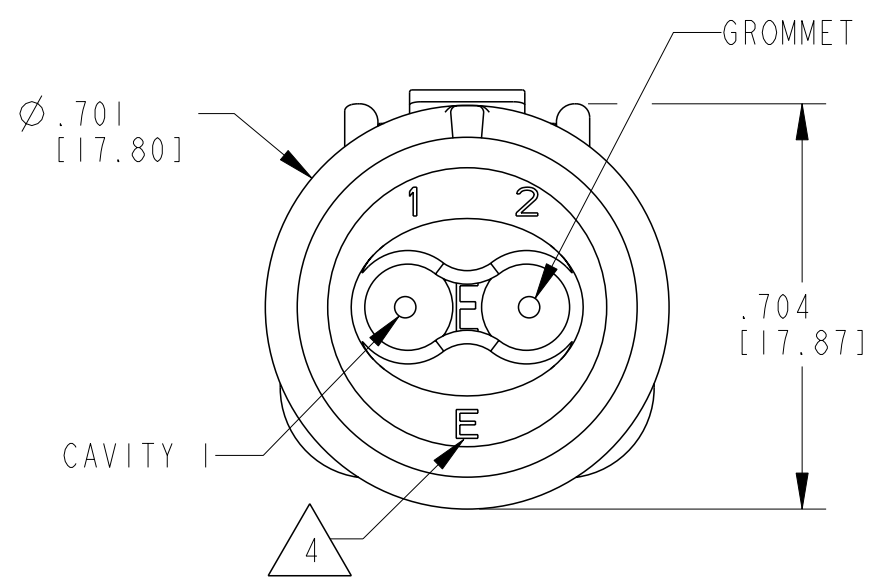


THIS DRAWING IS UNPUBLISHED  
 RELEASED FOR PUBLICATION 2017  
 © COPYRIGHT 2016 BY TE CONNECTIVITY ALL RIGHTS RESERVED.

P	LTR	DESCRIPTION	DATE	DWN	APVD
NC		NEW RELEASE PER E.O. PI9989	10/23/08	-	RDR
A		REVISED PER E.O. P20089	06/23/09	-	RDR
B		REVISED PER E.O. P20301	09/01/09	-	RDR
C		REVISED PER PCN-24-228977	01/23/25	AJT	CB



- 4 "E" SYMBOL DESIGNATES REDUCED DIAMETER WIRE SEAL.
- 3 MATERIAL: HOUSING: PA66 GF15, BLACK  
 BACKSHELL ADAPTER: PA66 GF15, BLACK  
 GROMMET: VMQ, RED  
 FRONT SEAL: VMQ, RED-ORANGE

5 FOR CONTACTS AND WIRE PERFORMANCE AND APPLICATION CHARACTERISTICS SEE CUSTOMER DRAWING 0425-015-0000.

	TE INTERNAL PN	DEUTSCH PN
	DT06-2S-LC01	DT06-2S-LC01

CONTACT SIZE	MIN. INSUL. O.D.	MAX. INSUL. O.D.	WIRE RANGE [mm <sup>2</sup> ]
16	.053 [1.35]	.120 [3.05]	14-20 AWG [2.5-0.5]

2. THIS PLUG MATES WITH DT04-2P-XXXX RECEPTACLE. (XXXX = ALL MODIFICATIONS)
1. SECONDARY WEDGE LOCK SOLD SEPARATELY: W2SX-XXXX. (X = A,B,C,D KEY, XXXX = ALL MODIFICATIONS). W2S OR W2S-P012 MAY BE USED WITH THESE PLUGS. W2S-P012 IS RECOMMENDED.

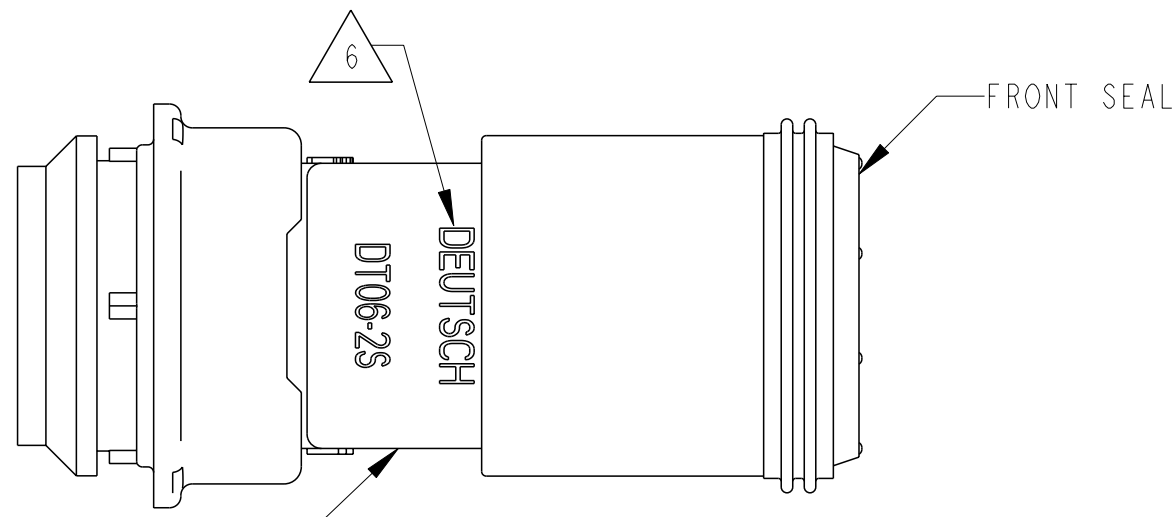
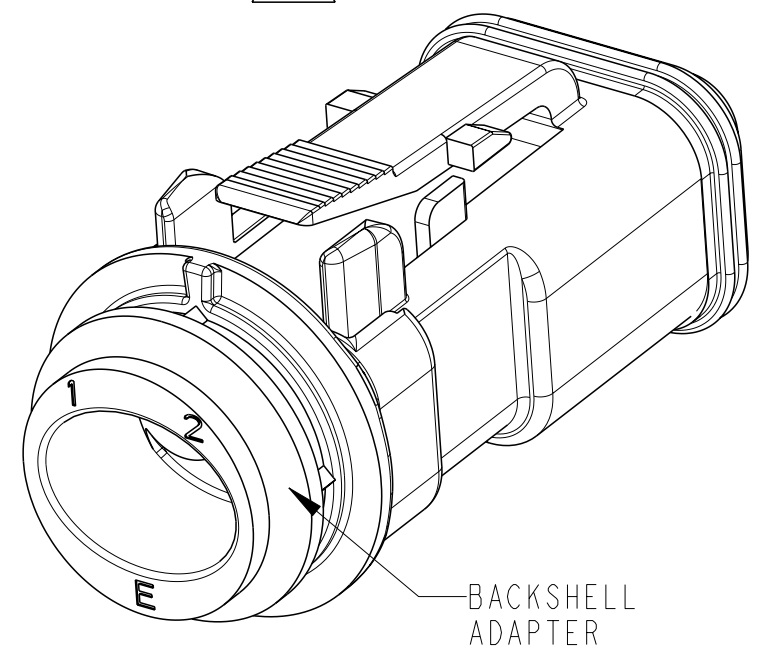
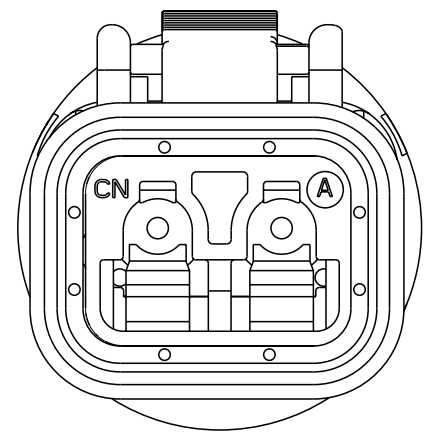
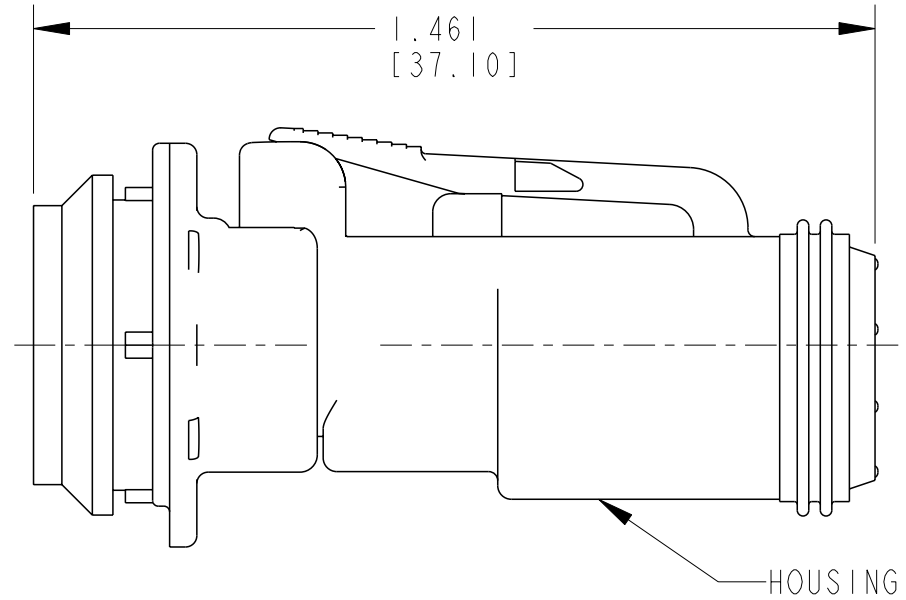
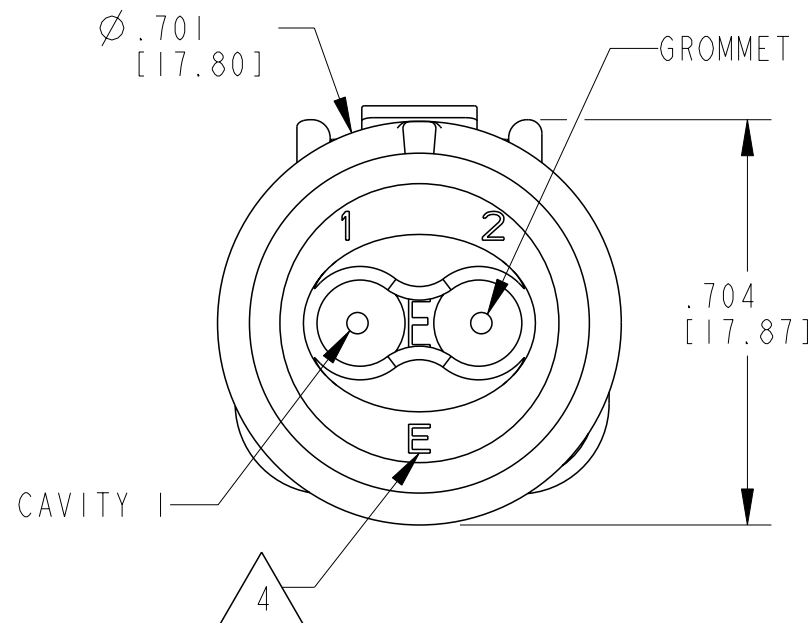
NOTES:

THIS DRAWING IS A CONTROLLED DOCUMENT.		DWN R.MESSENGER 27AUG2008	TE Connectivity	
DIMENSIONS: in [mm]		CHK B.BYFORD 16SEP2008		
TOLERANCES UNLESS OTHERWISE SPECIFIED:		APVD R.REED 23OCT2008	NAME 2 WAY PLUG, DIN BACKSHELL ADAPTER, E-SEAL	
0 PLC ± 1 PLC ± 2 PLC ± 3 PLC ±.025 [0.64] 4 PLC ± ANGLES ±°		PRODUCT SPEC 108-151009	SIZE A3	
MATERIAL 3		APPLICATION SPEC 114-151009	CAGE CODE 4AFU8	DRAWING NO C-DT06-2S-LC01
FINISH		WEIGHT 6.00g	RESTRICTED TO	
		CUSTOMER DRAWING	SCALE 3:1	SHEET 1 OF 2 REV C

Printed on 23 Jan 2025 14:19 (Eastern Standard Time) from TE354946

THIS DRAWING IS UNPUBLISHED  
RELEASED FOR PUBLICATION 2017  
COPYRIGHT 2016 BY TE CONNECTIVITY ALL RIGHTS RESERVED.

REVISIONS					
P	LTR	DESCRIPTION	DATE	DWN	APVD
-		SEE SHEET 1	-	-	-



IPD-USA (OPTIONAL)  
INDUSTRIAL (OPTIONAL)  
"BLANK" (OPTIONAL)

6 PARTS COMING FROM THE LEGACY TOOLING WILL HAVE "DEUTSCH" ID TEXT ON THE HOUSING.

NOTES:

THIS DRAWING IS A CONTROLLED DOCUMENT.		DWN R. MESSENGER 27AUG2008	TE Connectivity		
DIMENSIONS: in [mm]		CHK B. BYFORD 16SEP2008			
		APVD R. REED 23OCT2008	NAME 2 WAY PLUG, DIN BACKSHELL ADAPTER, E-SEAL		
TOLERANCES UNLESS OTHERWISE SPECIFIED: 0 PLC ± 1 PLC ± 2 PLC ± 3 PLC ±.025 [0.64] 4 PLC ± ANGLES ±1°		PRODUCT SPEC 108-151009	SIZE A3	CAGE CODE 4AFU8	DRAWING NO G-DT06-2S-LC01
MATERIAL 3		FINISH	RESTRICTED TO	SCALE 1:1 SHEET 2 OF 2 REV C	
CUSTOMER DRAWING					

printed on 23 Jan 2025 14:19 (Eastern Standard Time) from TE354946