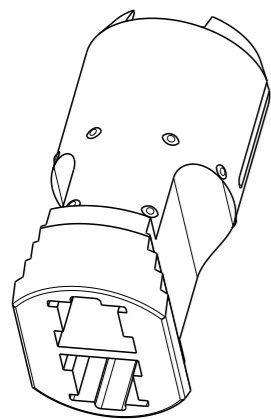
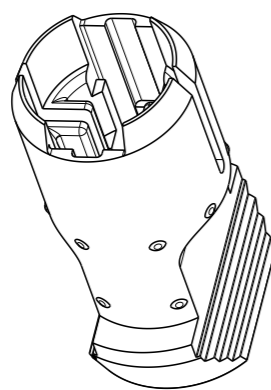


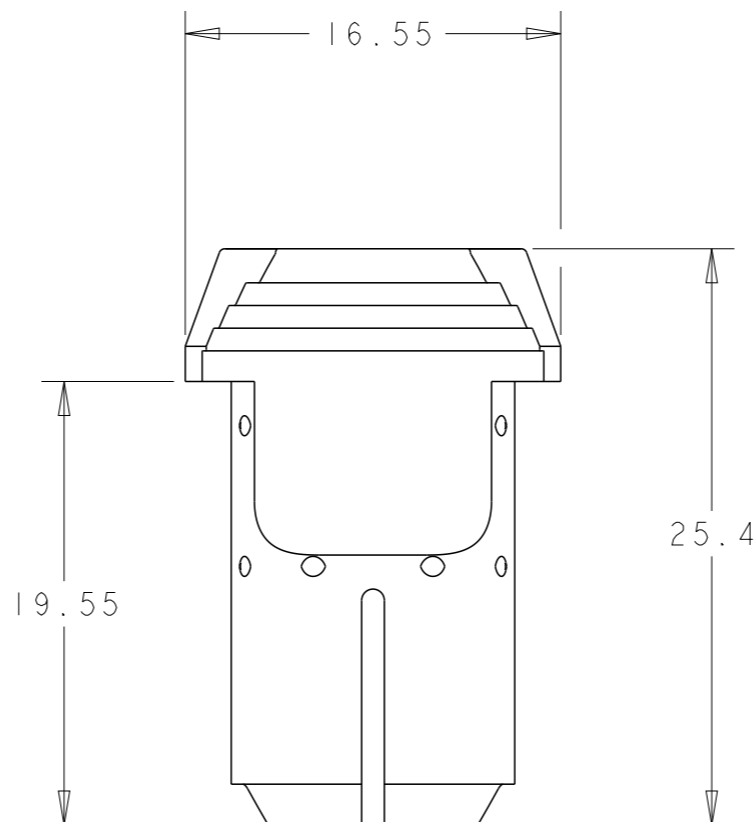
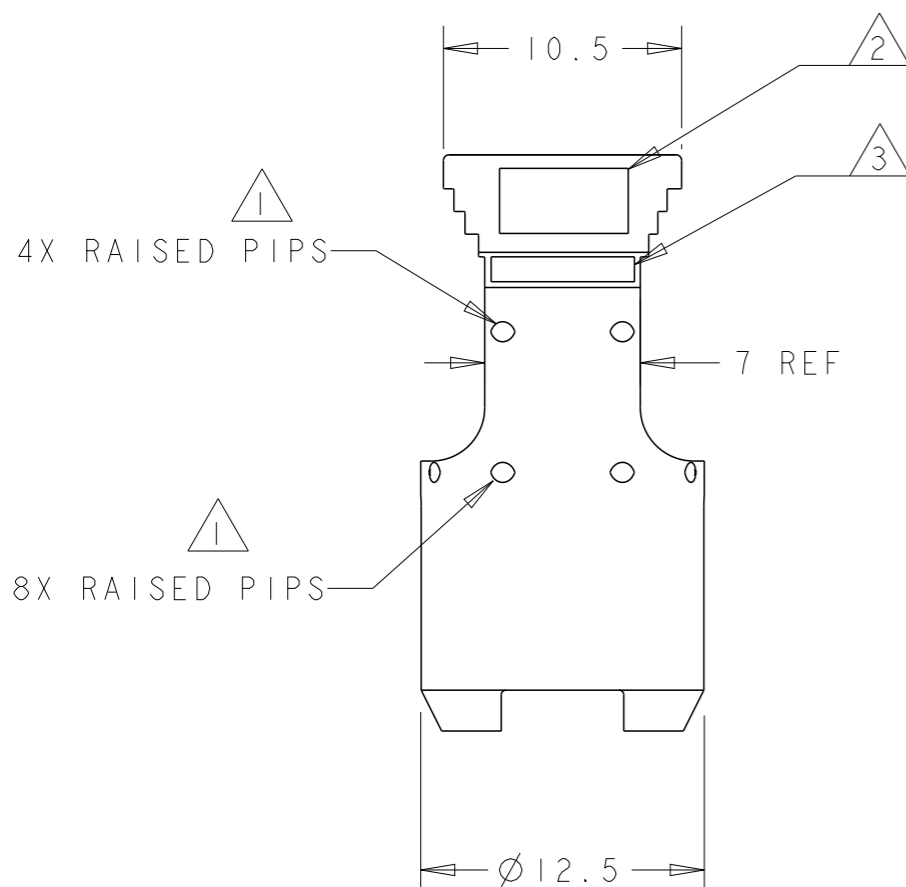
P	LTR	DESCRIPTION	DATE	DWN	APVD
L		ECR 06 02 1308	05SEP2006	JM	BB
LI		OBSOLETE VARIANT 699499-6	27MAY2024	KMD	SCK



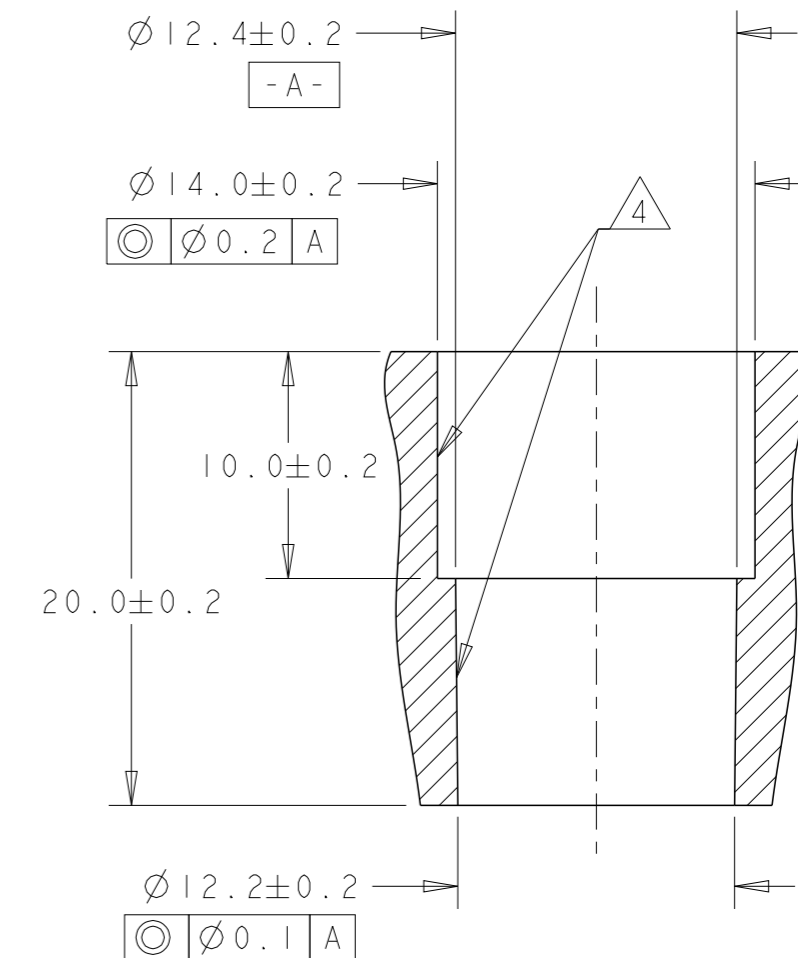
SCALE 2:1



SCALE 2:1



RECOMMENDED MATING HOLE DIMENSIONS



NOTES:

- 1 RAISED PIPS 0.15 HIGH.
- 2 PART NUMBER; MATERIAL CODE ON OPPOSITE SIDE.
- 3 TOOL CAVITY ID NUMBER; AMP LOGO ON OPPOSITE SIDE.
- 4 NO FLASH OR SPLIT LINES PERMISSABLE ON THESE SURFACES.
- 5 USE 626277 CONTACT WITH 0.160 OVERLAP CRIMP ONLY
- 6. 699499-6 MATERIAL TO BE A CROSSLINKED PA66 GF15

COLOUR	MATERIAL	PART NUMBER
BROWN	15%GF PBT	699499-2
NATURAL	15%GF PBT	699499-1
BLACK	15%GF PBT	699499-1

THIS DRAWING IS A CONTROLLED DOCUMENT.		DWN BEN NEWMAN			
DIMENSIONS: mm		CHK REG SIMMONS 17-Nov-97			
TOLERANCES UNLESS OTHERWISE SPECIFIED:		APVD MLKE WHELAN 17-Nov-97		NAME HEADLAMP BULBHOLDER	
0 PLC ±0.5 1 PLC ±0.5 2 PLC ±0.5 3 PLC ±0.5 4 PLC ±0.5 ANGLES ±1		PRODUCT SPEC -		SIZE A300779	
MATERIAL SEE TABLE material_2		APPLICATION SPEC -		CAGE CODE C-699499	
FINISH -		WEIGHT -		DRAWING NO -	
CUSTOMER DRAWING		SCALE 3:1		RESTRICTED TO -	
		SHEET 1 OF 1		REV LI	