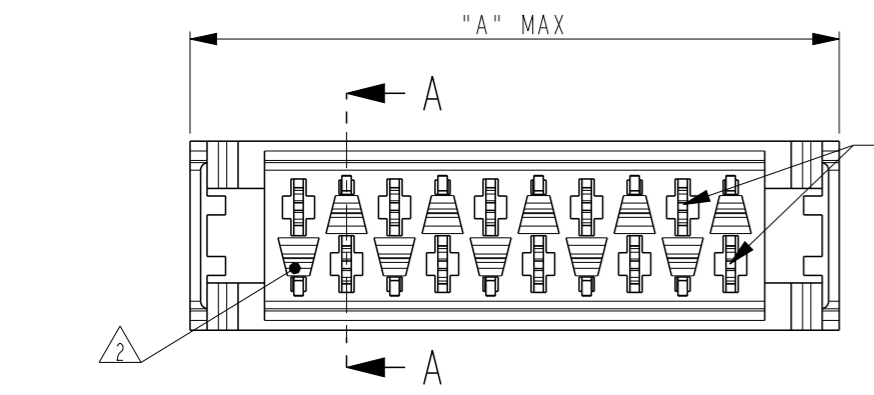
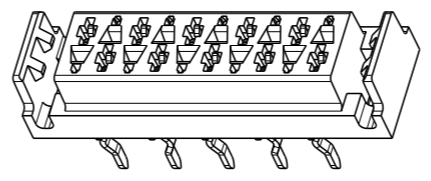


THIS DRAWING IS UNPUBLISHED. RELEASED FOR PUBLICATION  
 © COPYRIGHT - BY - ALL RIGHTS RESERVED.

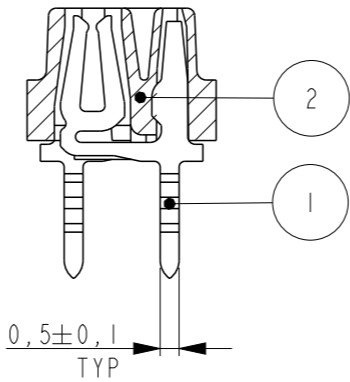
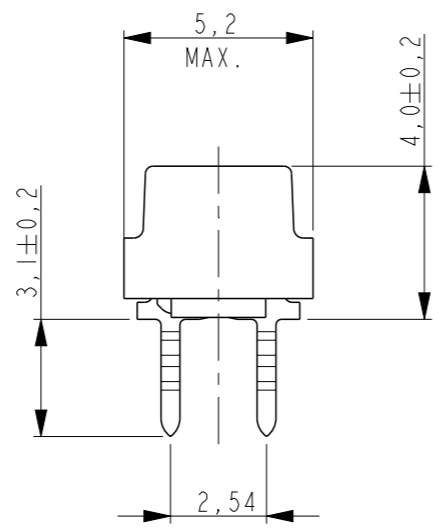
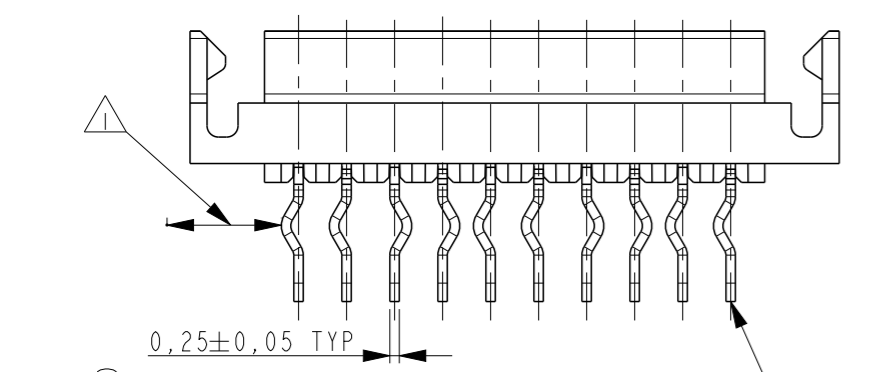
REVISIONS					
P	LTR	DESCRIPTION	DATE	DWN	APVD
F1		TAPE WIDTH DIMENSION REMOVED	25JAN2016	SS	PS
F2		CORRECTION OF DIM. A	20FEB2026	LS	SRK



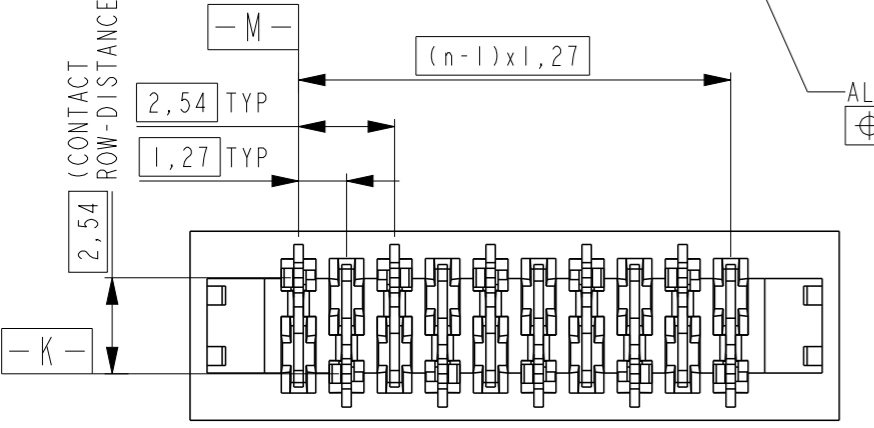
REFERENCE MATING INTERFACE PATTERN  
 1,27 STAGGERED PITCH x 1,5 ROW DISTANCE.



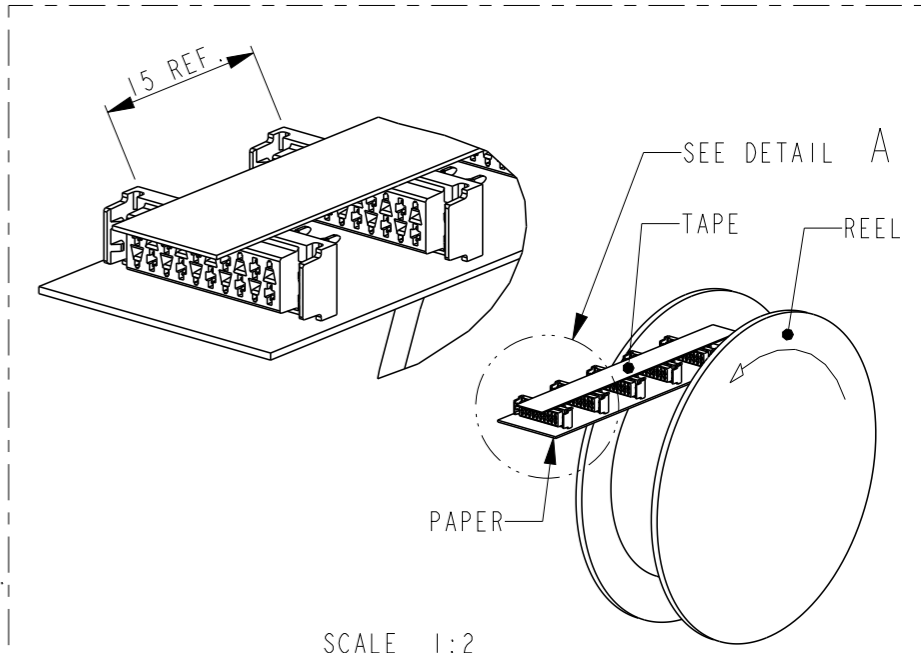
SCALE 3:1



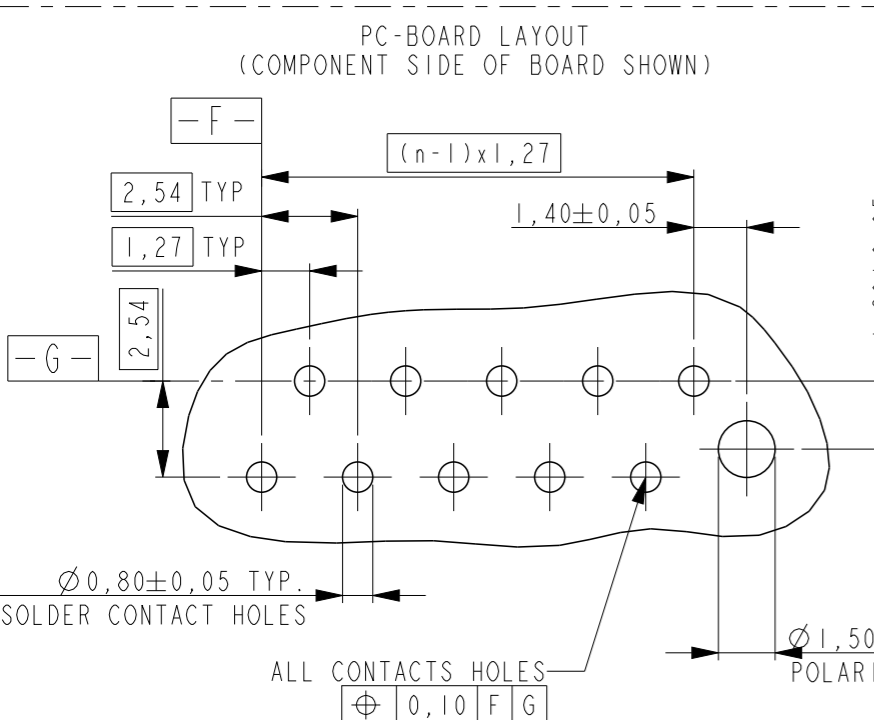
PART NUMBER REEL PACKAGING	NR OF POS "n"	DIMENSION "A" MAX
338068-4	4	9,55
338068-6	6	12,09
338068-8	8	14,63
1-338068-0	10	17,17
1-338068-2	12	19,71
1-338068-4	14	22,25
1-338068-6	16	24,79
1-338068-8	18	27,33
2-338068-0	20	29,87



ALL CONTACTS  
 Ø 0,40 K M



SCALE 1:2  
 REEL PACKAGING  
 DEREELING DIRECTION AND CONNECTOR POSITION  
 2500 CONNECTORS PER REEL FOR ALL PART NUMBERS



NOTES:

- 1 IN EACH ROW, DIRECTION OF KINKS STARTS RANDOM. IN EACH ROW, SEQUENTIAL CONTACTS HAVE OPPOSITE KINK DIRECTIONS.
- 2 CORING-OUTS FOR MANUFACTURING PURPOSE ONLY. SHAPE MAY VARY, BUT IS NOT FUNCTIONAL FOR THE APPLICATION.
- 3 SHOWN IS A 10 POSITION CONNECTOR.

2	FEMALE HOUSING	G.F.POLYESTER PBT	RED
1	FEMALE CONTACT	PHOSPHOR BRONZE	TIN OVER NICKEL
ITEM NO.	DESCRIPTION	MATERIAL	FINISH / COLOR

THIS DRAWING IS A CONTROLLED DOCUMENT.		DWN M. GOSSELINK
DIMENSIONS: mm		CHK -
TOLERANCES UNLESS OTHERWISE SPECIFIED:		APVD -
0 PLC ±	1 PLC ±	PRODUCT SPEC 108-19052
2 PLC ±	3 PLC ±	APPLICATION SPEC -
4 PLC ±	ANGLES ±	WEIGHT -
MATERIAL SEE TABLE	FINISH SEE TABLE	Customer Drawing



CONNECTOR,  
 FEMALE-ON-BOARD TOP-ENTRY,  
 THRU-HOLE, WITH LATCHES, Micro-Match

SIZE	CAGE CODE	DRAWING NO	RESTRICTED TO
A3	00779	C-338068	-

SCALE 5:1 SHEET 1 OF 1 REV F2