

NOTES:

ALL DIMENSIONS ARE NOMINAL FOR REFERENCE ONLY UNLESS OTHERWISE STATED.

RoHS: COMPLIANT.

SPECIFICATIONS:
IMPEDANCE: 75Ω

FREQUENCY: DC TO 4GHz

VSWR/RL: 1.3 MAX. / 17.69 dB MIN.

INSERTION LOSS: 0.25 dB MAX.

CONTACT RESISTANCE:
CENTER: 6.0 MΩ MAX.
OUTER: 3.0 MΩ MAX.

VOLTAGE RATING: 170 VRMS MAX

DIELECTRIC WITHSTANDING VOLTAGE: 500V MAX

INSULATION RESISTANCE: 5000MΩ

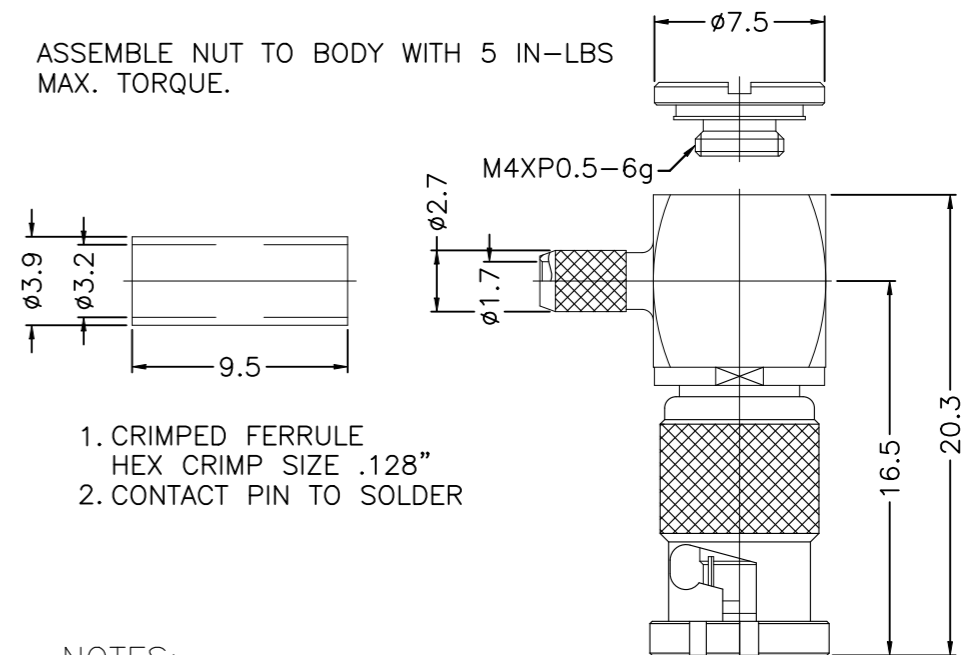
MECHANICAL CHARACTERISTICS
DURABILITY: 500 CYCLES MIN.

ENGAGEMENT AND DISENGAGEMENT FORCE:
ENGAGEMENT: 20 N MAX.
DISENGAGEMENT: 5 N MIN.

ENVIRONMENTAL PARAMETER
TEMPERATURE RANGE: -65°C TO +165°C

REVISIONS					
P	LTR	DESCRIPTION	DATE	DWN	APVD
	A1	ECN-26-362286,UPDATE SWC WAS SWP	07JAN2026	TP	WILL

ASSEMBLE NUT TO BODY WITH 5 IN-LBS MAX. TORQUE.

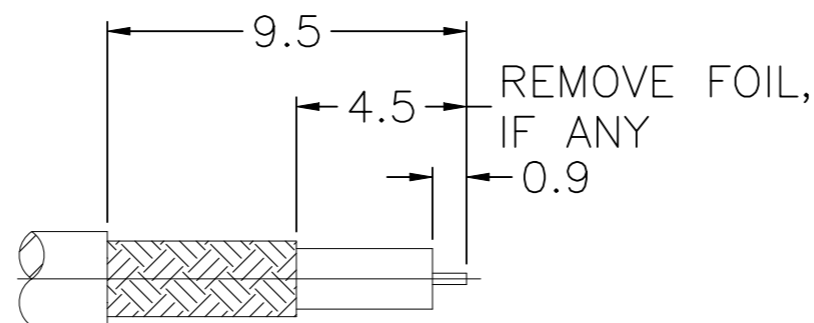


1. CRIMPED FERRULE
HEX CRIMP SIZE .128"
2. CONTACT PIN TO SOLDER

NOTES:

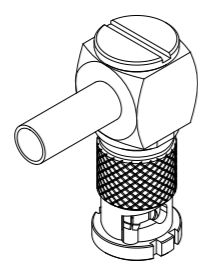
FINISH (PLATING THICKNESS IN MICRO-INCHES)

- 1 100 MICROINCHES MIN NICKEL PLATED.
50 MICROINCHES MIN OVER COPPER UNDERPLATED
- 2 3 MICROINCHES MIN GOLD PLATED,
100 MICROINCHES MIN OVER NI-P (WT%10) NICKEL UNDERPLATED.
- 3 PASSIVATED



RECOMMENDED
CABLE STRIPPING DIM'S
(FOR RG-179/U, BELDEN 179DT)

QTY	DESCRIPTION	MATERIAL	DESCRIPTION	ITEM
1	NOTE 3	STAINLESS STEEL	NUT	11
1	NOTE 1	BRASS	FERRULE	10
1	NOTE 1	BRASS	SHELL	9
1	BLACK	SILICONE RUBBER	GASKET	8
1	NOTE 1	BRASS	RETAINER RING	7
1	NATURAL	SWC 80	SPRING	6
1	NOTE 1	BRASS	WASHER	5
1	NOTE 1	BRASS	HOUSING	4
1	NOTE 2	PHOSPHOR BRONZE	CONTACT PIN	3
1	NATURAL	PTFE	INSULATOR	2
1	NOTE 1	BERYLLIUM COPPER	BODY	1
2510969-1	FINISH/PLATING	MATERIAL	DESCRIPTION	ITEM



THIS DRAWING IS A CONTROLLED DOCUMENT.		DWN TP 06AUG2025	TE Connectivity High Density BNC Plug RA RG179/179DT Type 75 ohm				
DIMENSIONS: mm		CHK TP 06AUG2025				NAME	
TOLERANCES UNLESS OTHERWISE SPECIFIED:		APVD TP 06AUG2025				PRODUCT SPEC	
MATERIAL SEE TABLE		WILL				APPLICATION SPEC	
FINISH		WEIGHT 5.65 G	SIZE A3	CAGE CODE 00779	DRAWING NO C-2510969		
		CUSTOMER DRAWING	RESTRICTED TO	SCALE 1:1	SHEET 1 OF 1		
				REV A1			