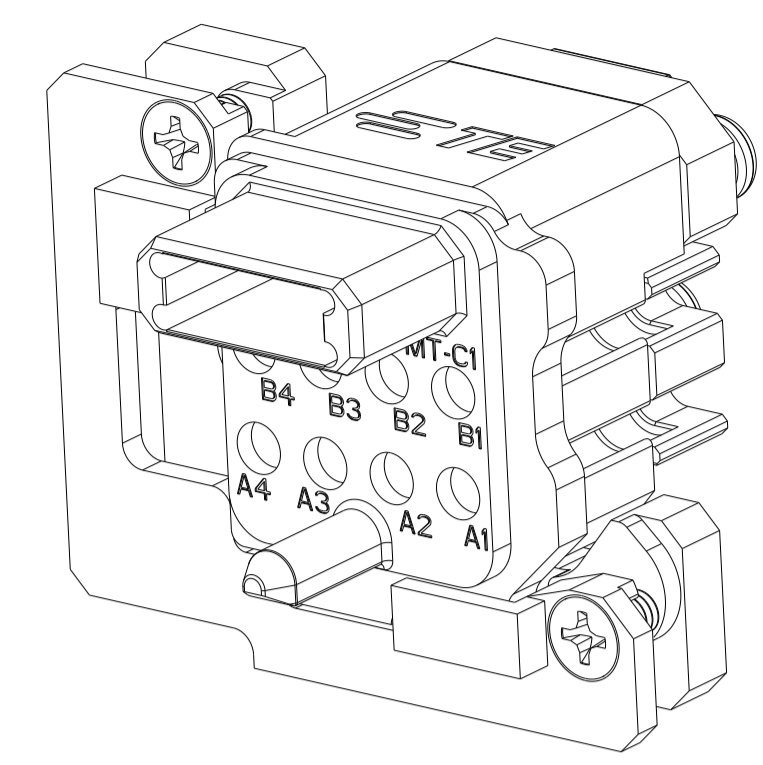
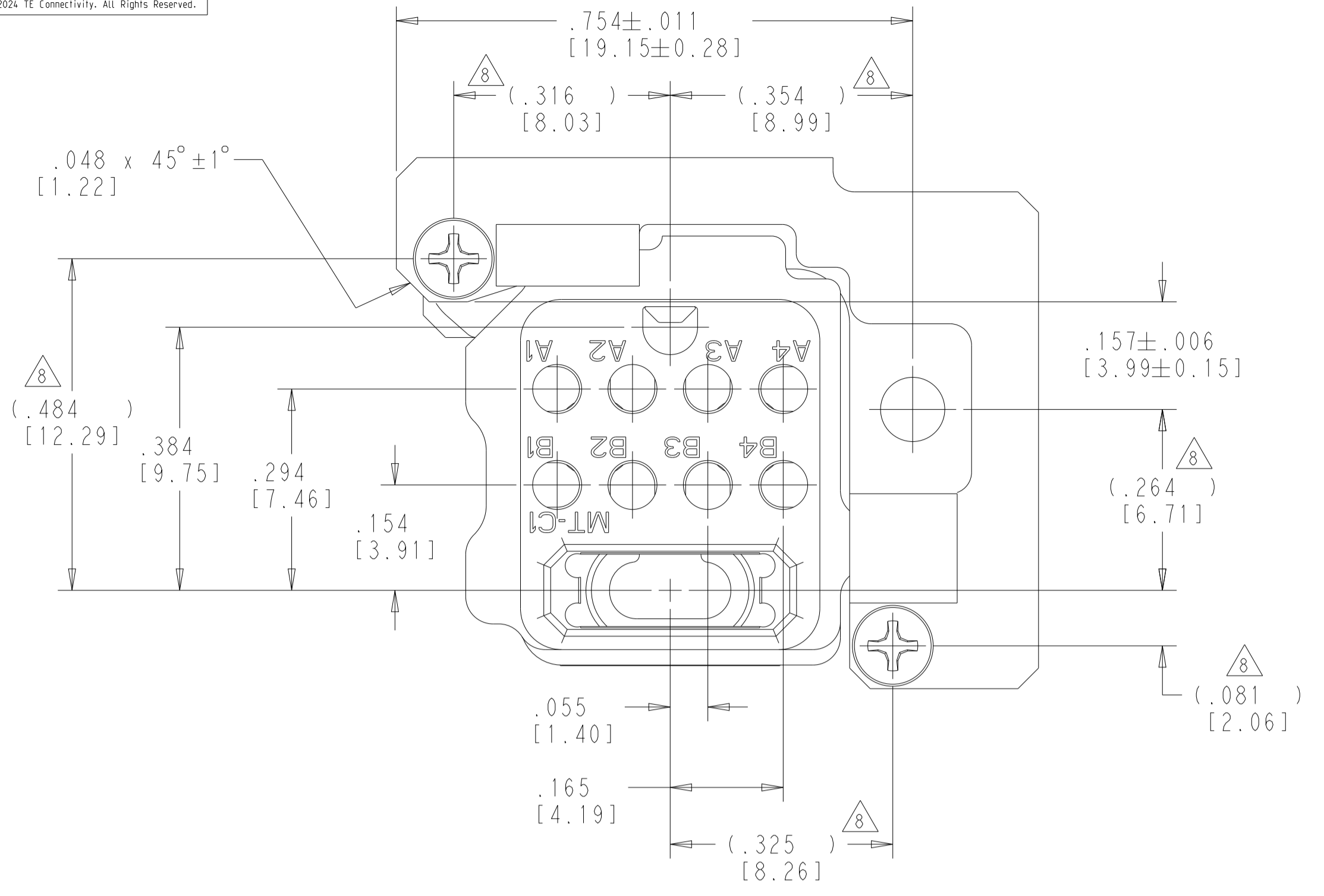
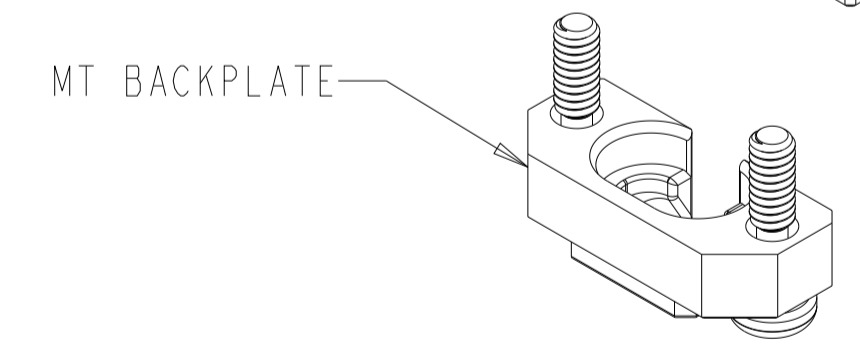
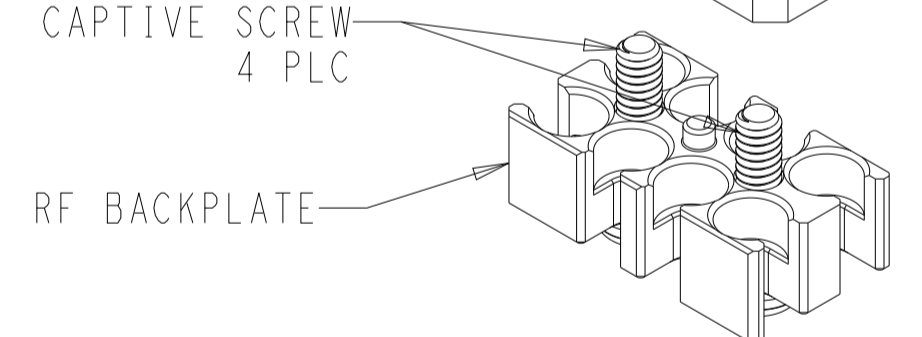
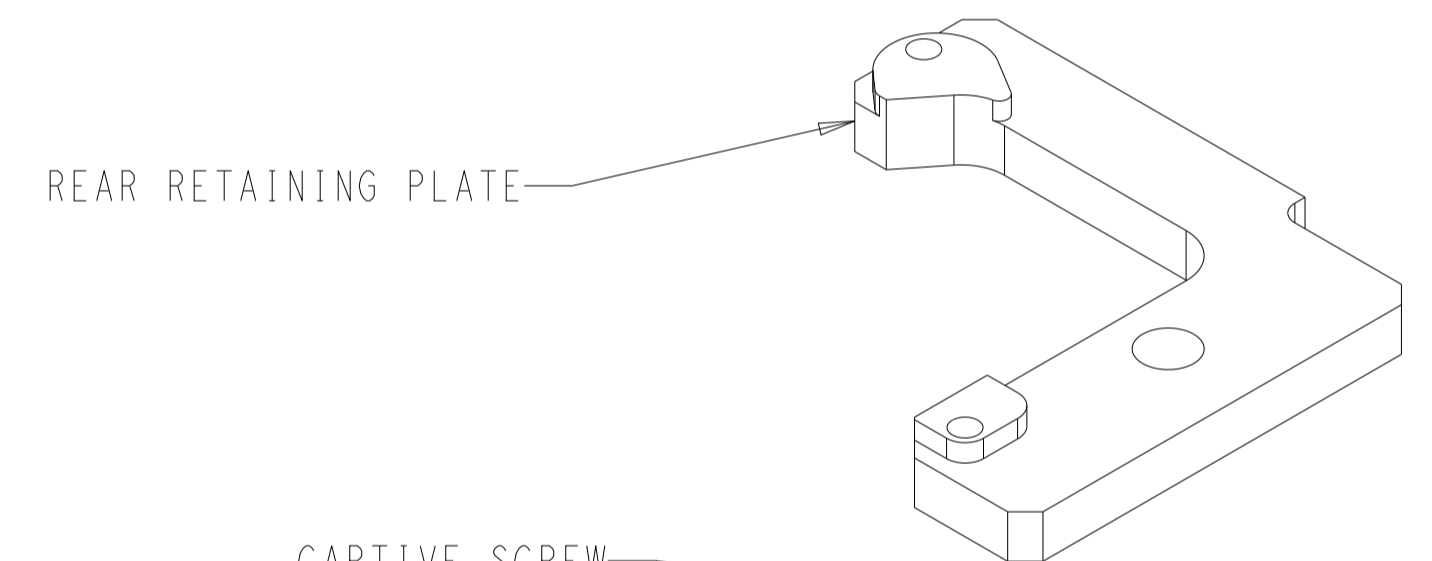
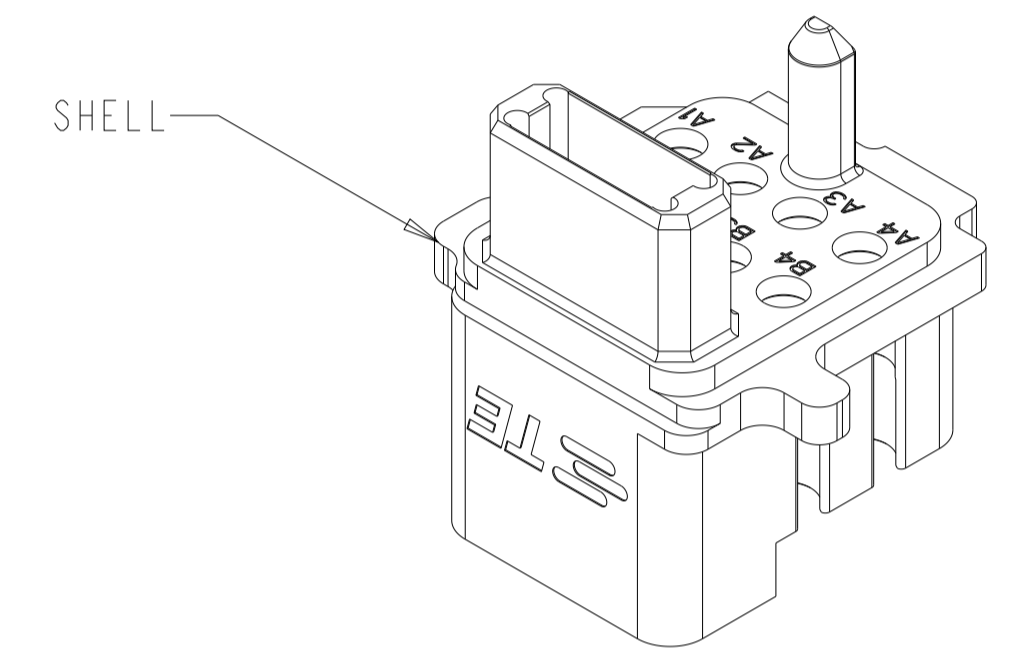
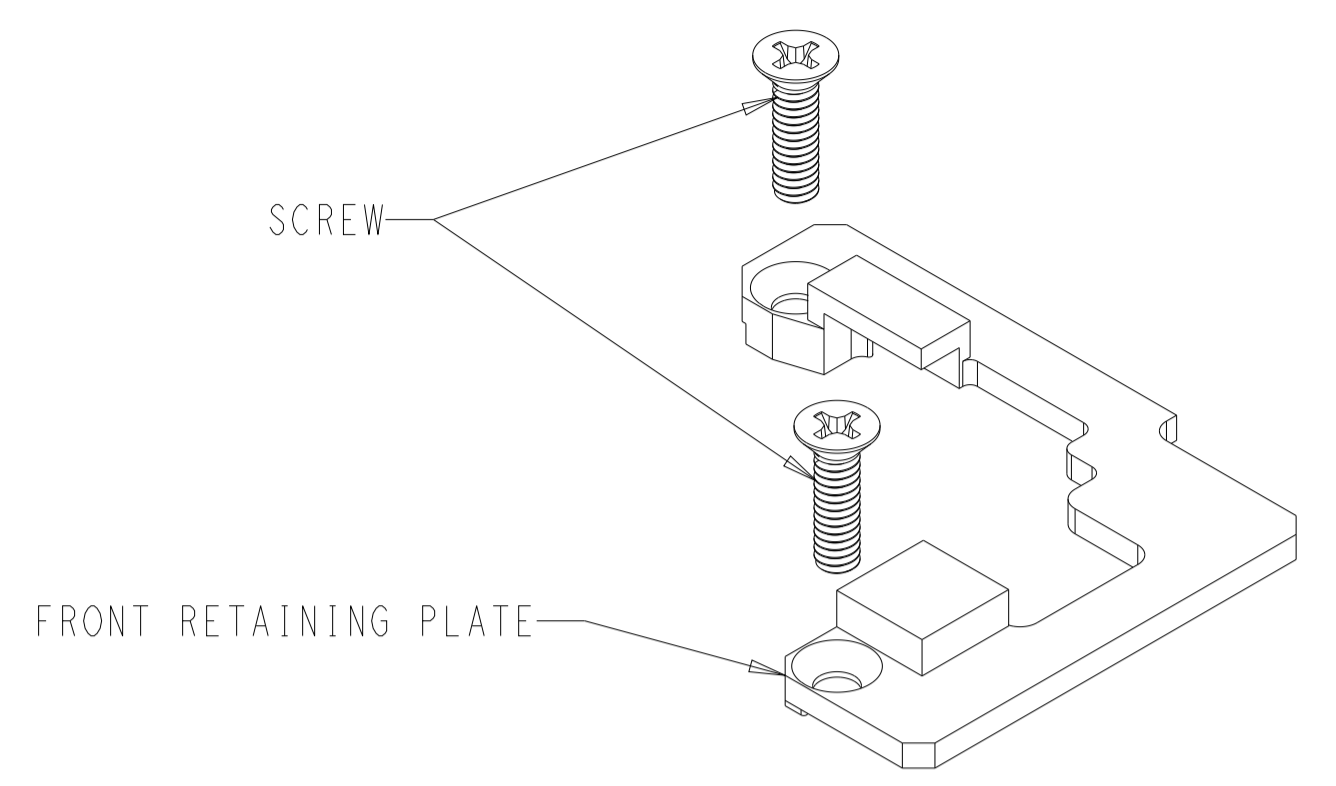


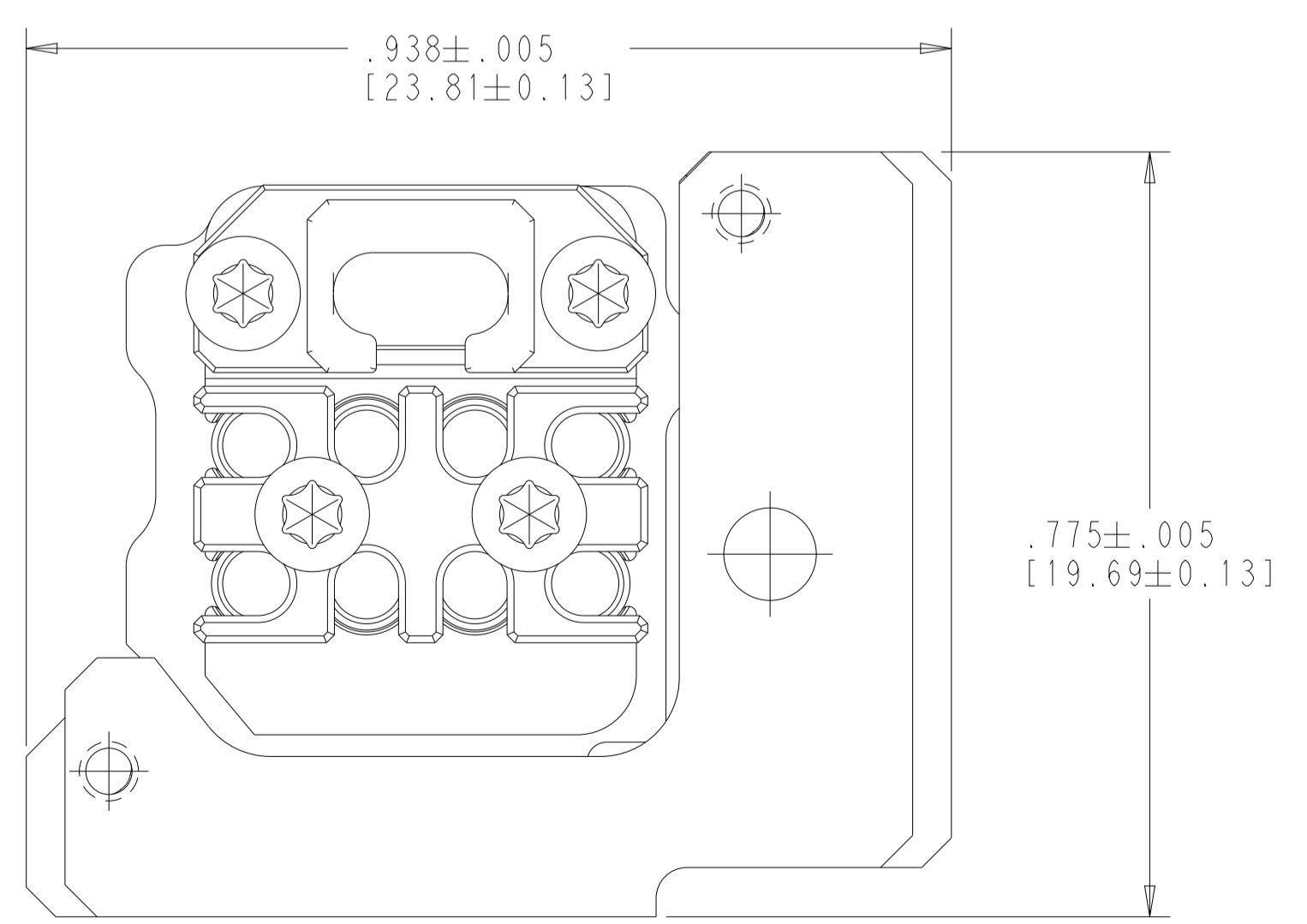
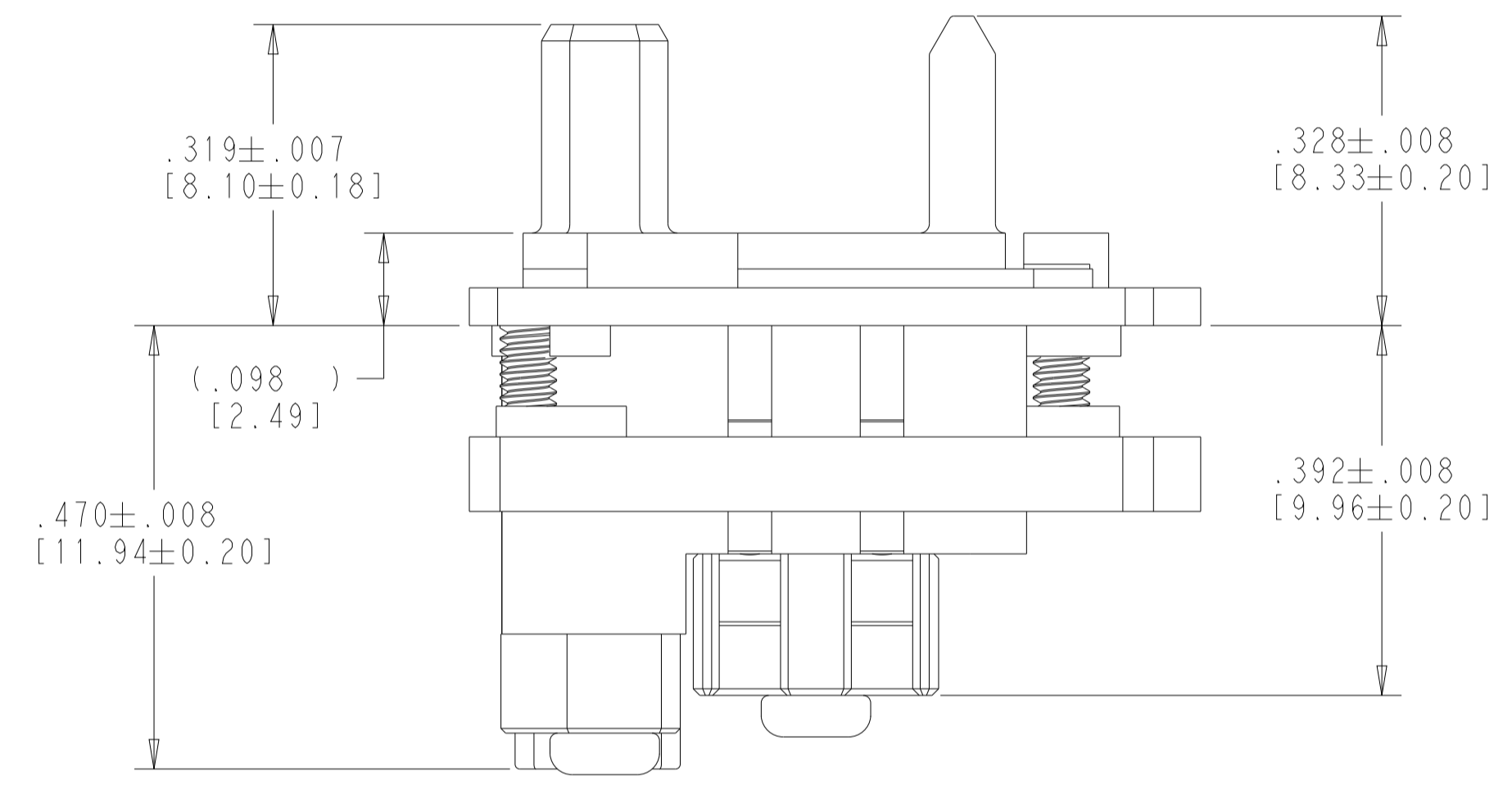
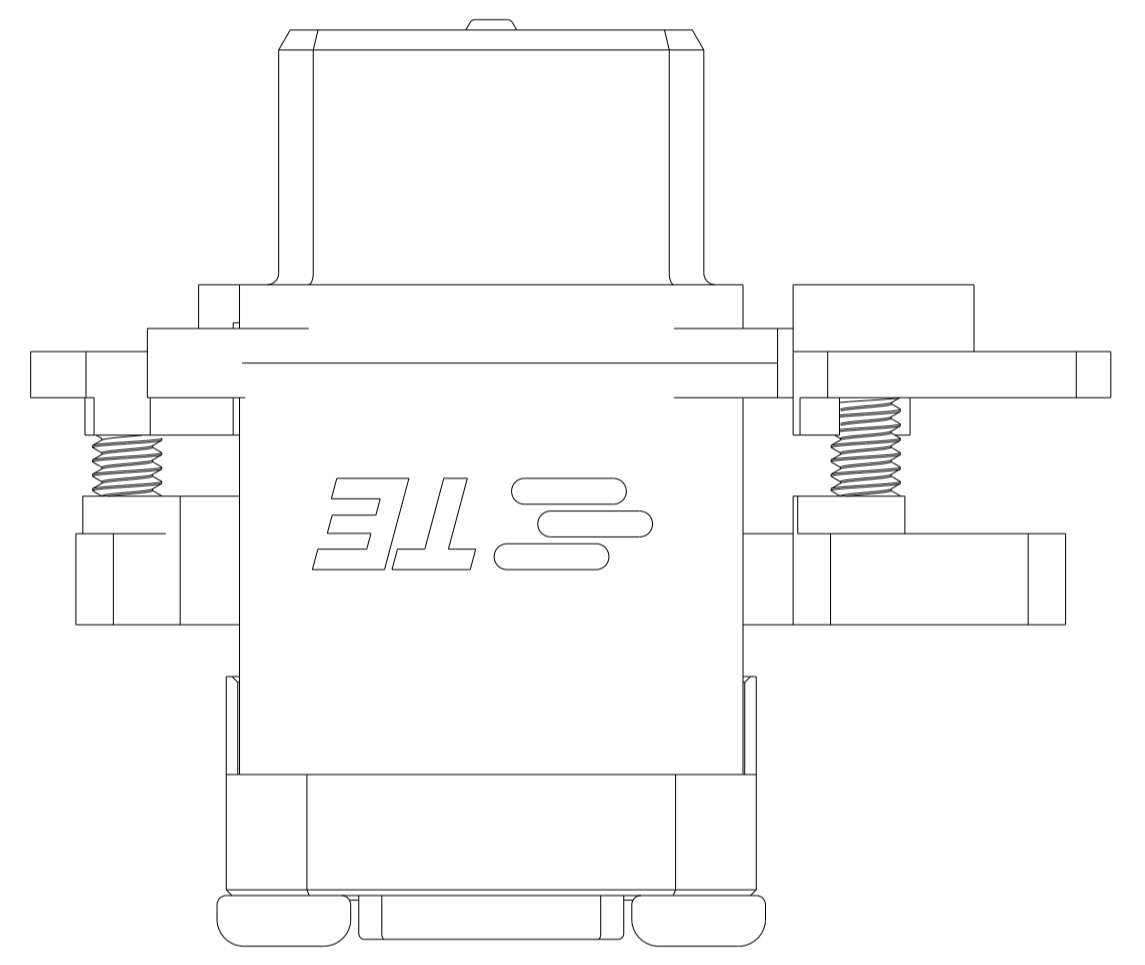
REVISIONS				
P	LTN	DESCRIPTION	DATE	APVD
A		RELEASED PER ECN-25-336314	23SEP2024	LS CG



SCALE 4:1



SCALE 4:1



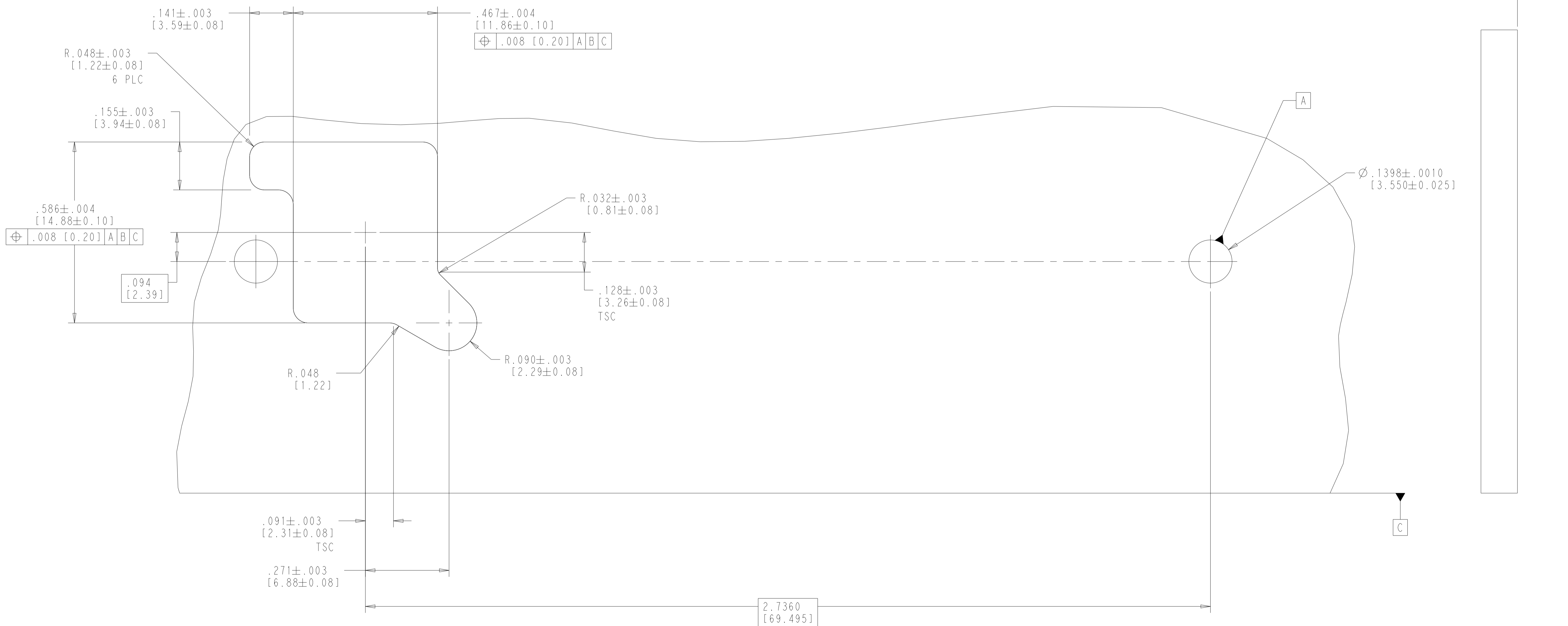
- 1 MATERIAL:
RETAINING PLATES, SHELL AND BACKPLATES - ALUMINUM ALLOY 7075
SCREWS - 300 SERIES STAINLESS STEEL
- 2 FINISH:
RETAINING PLATES, SHELL AND BACKPLATES - CLEAR CHROMATE CONVERSION COATING
PER MIL-DTL-5541 (TYPE II, CLASS 3)
SCREWS - PASSIVATED
- 3. SHIPPED IN KIT FORM. CAPTIVE SCREWS TO BE ASSEMBLED TO BACKPLATE.
- 4 CIRCUIT IDENTIFICATION MARKING
- 5. DESIGNED TO BE USED WITH NanoRF CONTACTS 2302345-1 AND
MT FERRULE KIT 2375153-1 (12 FIBER) OR 2375153-2 (24 FIBER)
ORDERED SEPARATELY.
- 6 PRODUCT SPEC:
NanoRF: 108-163037
MT FIBER OPTIC: 108-163029
VNX+ MODULAR CONNECTOR: 108-161765
- 7 APPLICATION SPEC:
NanoRF: 408-163038
MT FIBER OPTIC: 114-163023
VNX+ MODULAR CONNECTOR: 114-161468
- 8 NOMINAL DIMENSION FOR REFERENCE ONLY. SHELL DESIGNED TO FLOAT WHEN
ASSEMBLED TO PCB AND RETAINED BY RETAINING PLATES.

JURISDICTION	EAR
CLASSIFICATION	EAR99
DATE OF MARKING	01AUG2025
WARNING - THIS DOCUMENT CONTAINS TECHNOLOGY WHOSE EXPORT IS RESTRICTED BY THE EXPORT ADMINISTRATION REGULATIONS ("EAR") PURSUANT TO 15 C.F.R. PARTS 730-774. VIOLATIONS OF THE EAR ARE SUBJECT TO SEVERE CRIMINAL PENALTIES UNDER THE EXPORT CONTROL REFORM ACT, AS AMENDED (TITLE 50, U.S.C., SEC. 4801, ET SEQ.).	

2481486-1
PART NO

THIS DRAWING IS A CONTROLLED DOCUMENT.		OWN: L.SIPE	DATE: 19SEP2024	
DIMENSIONS: INCHES [mm]		CHK: M.CINDRIC	APVD: -	
TOLERANCES UNLESS OTHERWISE SPECIFIED:		PRODUCT SPEC		NAME: ASSEMBLY, MODULE, 50 OHM NanoRF, OPTICAL, HYBRID BACKPLANE, VITA 90.7 SIZE: CAGE CODE DRAWING NO: 00779 C=2481486 RESTRICTED TO: -
0 PLC ± 1 PLC ± 2 PLC ± 3 PLC ±.004(0.10) 4 PLC ± ANGLES ° ±		APPLICATION SPEC: 6 APPLICATION SPEC: 7 WEIGHT: - CUSTOMER DRAWING		
MATERIAL: 1		FINISH: 2		SCALE: 6:1 SHEET: 1 OF 2 REV: A

REVISIONS				
P	LTN	DESCRIPTION	DATE	APVD
-	-	SEE SHEET 1	-	-



REF PCB LAYOUT - SEE VITA 90.7 FIGURE 7.2.1-1
SCALE 6:1

JURISDICTION	EAR
CLASSIFICATION	EAR99
DATE OF MARKING	01AUG2025
<p>WARNING - THIS DOCUMENT CONTAINS TECHNOLOGY WHOSE EXPORT IS RESTRICTED BY THE EXPORT ADMINISTRATION REGULATIONS ("EAR") PURSUANT TO 15 C.F.R. PARTS 730-774. VIOLATIONS OF THE EAR ARE SUBJECT TO SEVERE CRIMINAL PENALTIES UNDER THE EXPORT CONTROL REFORM ACT, AS AMENDED (TITLE 50, U.S.C., SEC. 4801, ET SEQ.).</p>	

THIS DRAWING IS A CONTROLLED DOCUMENT.		OWN	19SEP2024	
DIMENSIONS: INCHES [mm]		CHK	M.CINDRIC	
TOLERANCES UNLESS OTHERWISE SPECIFIED:		APVD		NAME
0 PLC	±	PRODUCT SPEC		ASSEMBLY, MODULE, 50 OHM NanoRF, OPTICAL, HYBRID BACKPLANE, VITA 90.7
1 PLC	±	APPLICATION SPEC		SIZE
2 PLC	±			CAGE CODE
3 PLC	±.004[0.10]			DRAWING NO
4 PLC	±			RESTRICTED TO
ANGLES	±	WEIGHT		A 00779 ©=2481486
FINISH		CUSTOMER DRAWING		SCALE 6:1 SHEET 2 OF 2 REV A