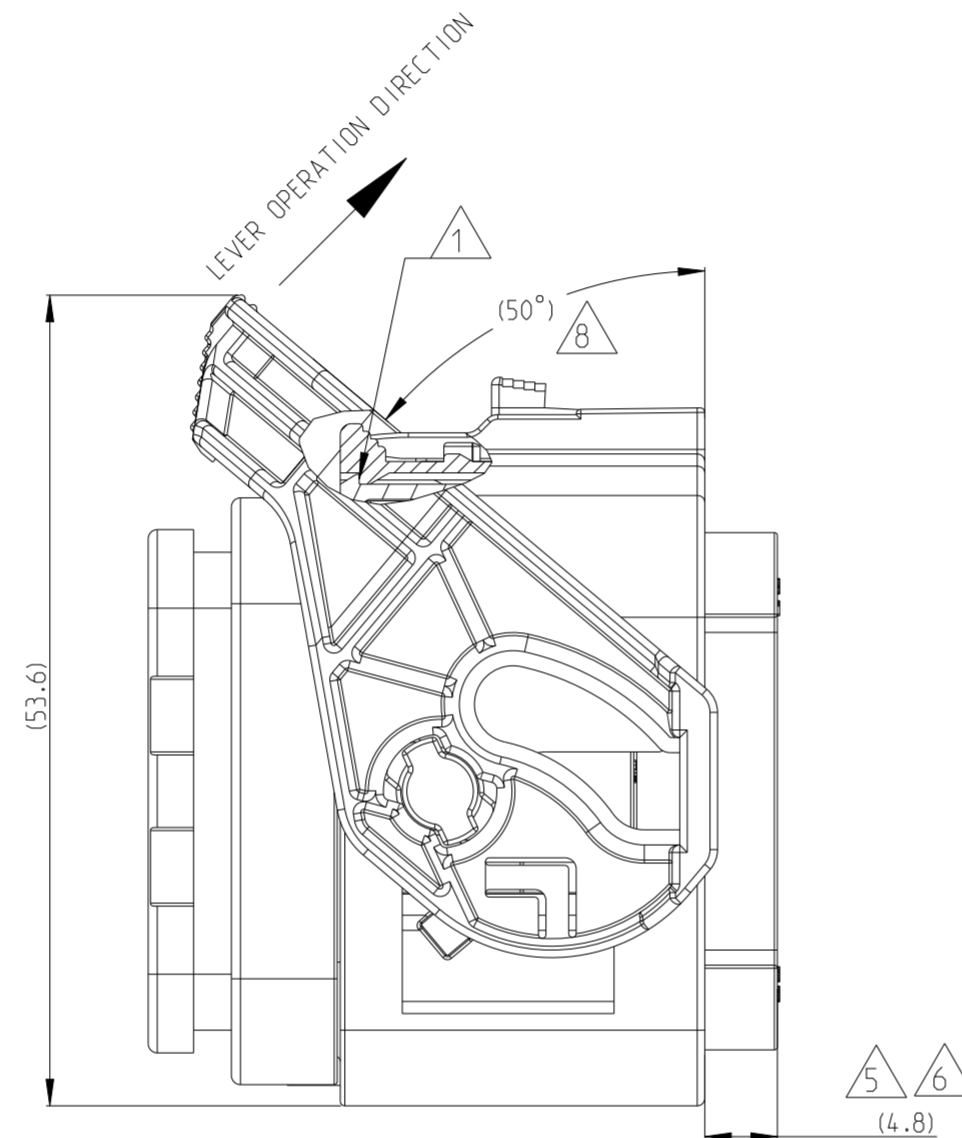
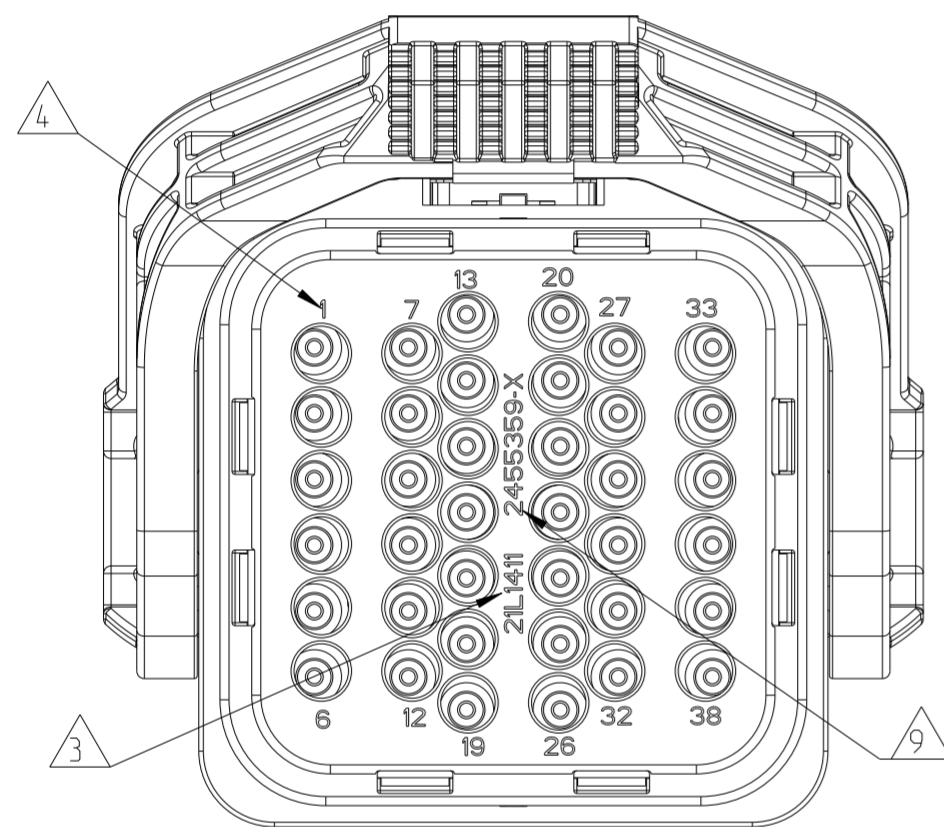
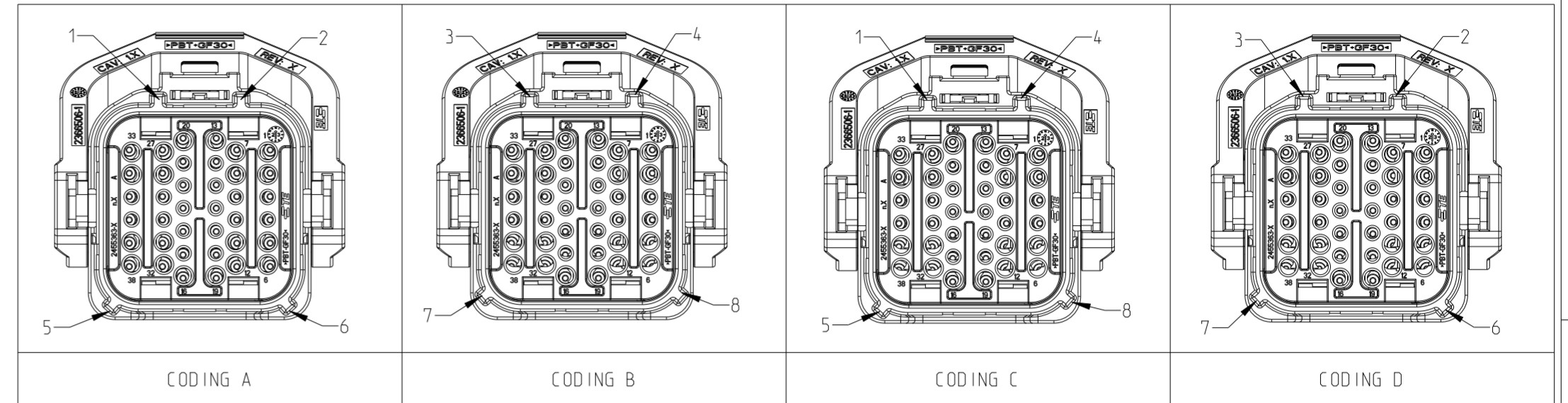
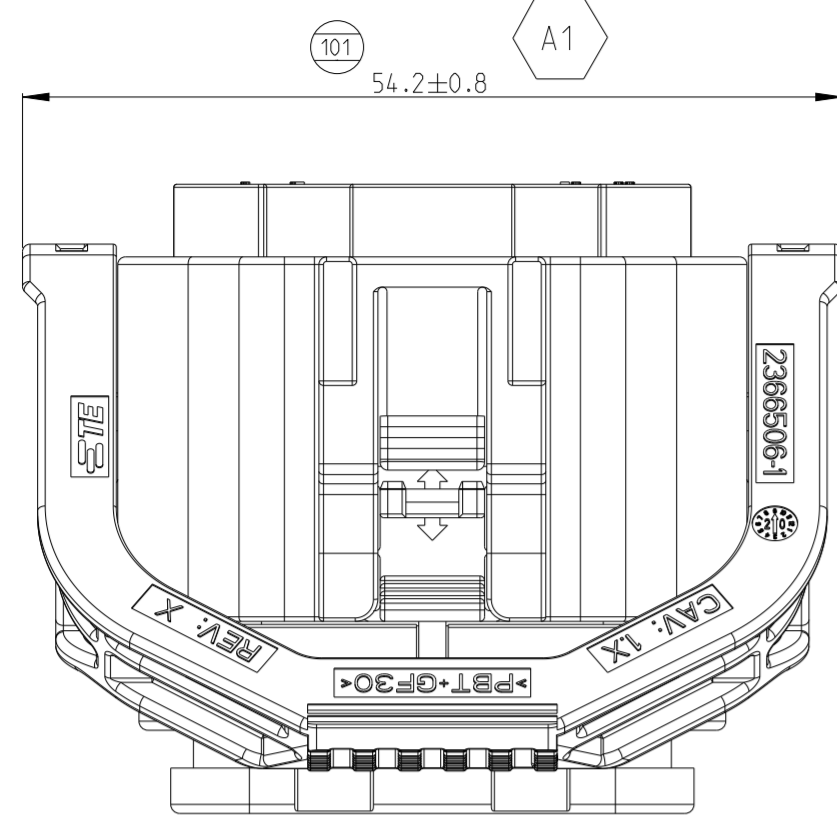


REVISIONS

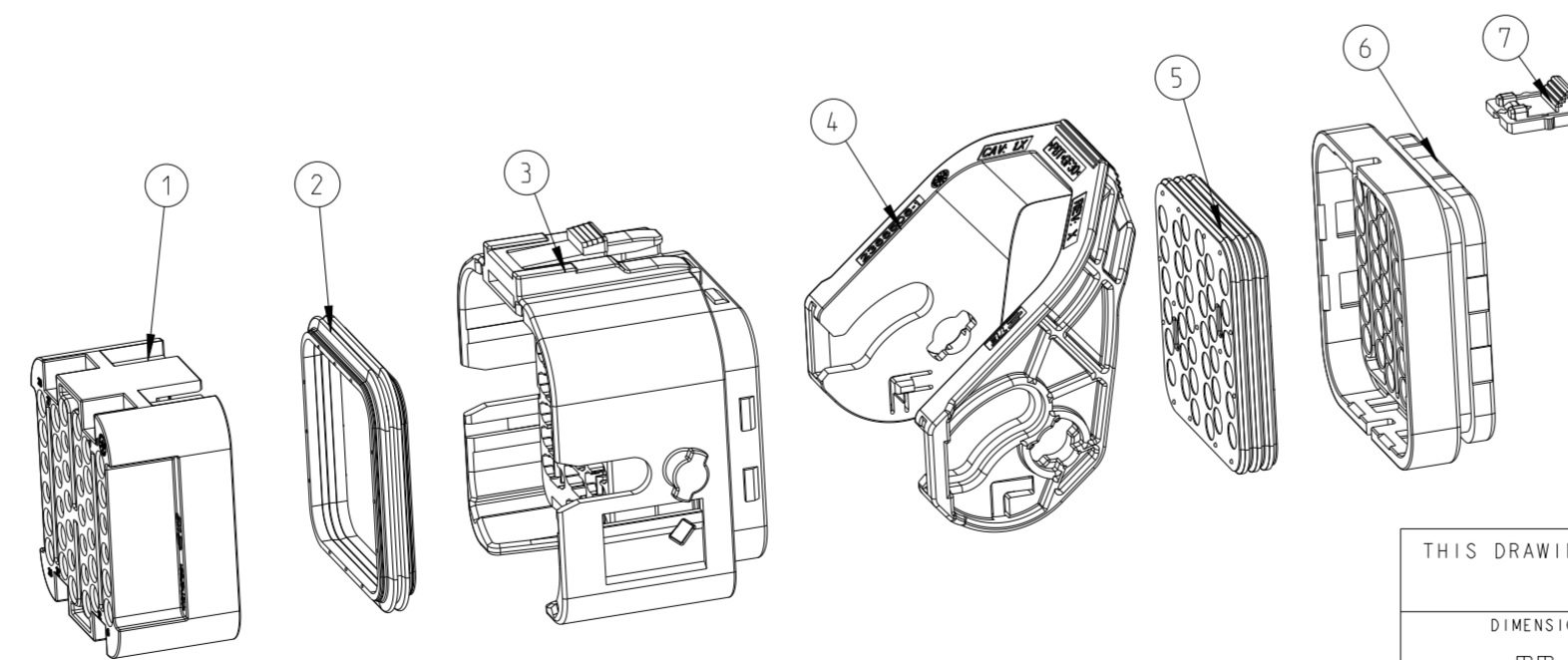
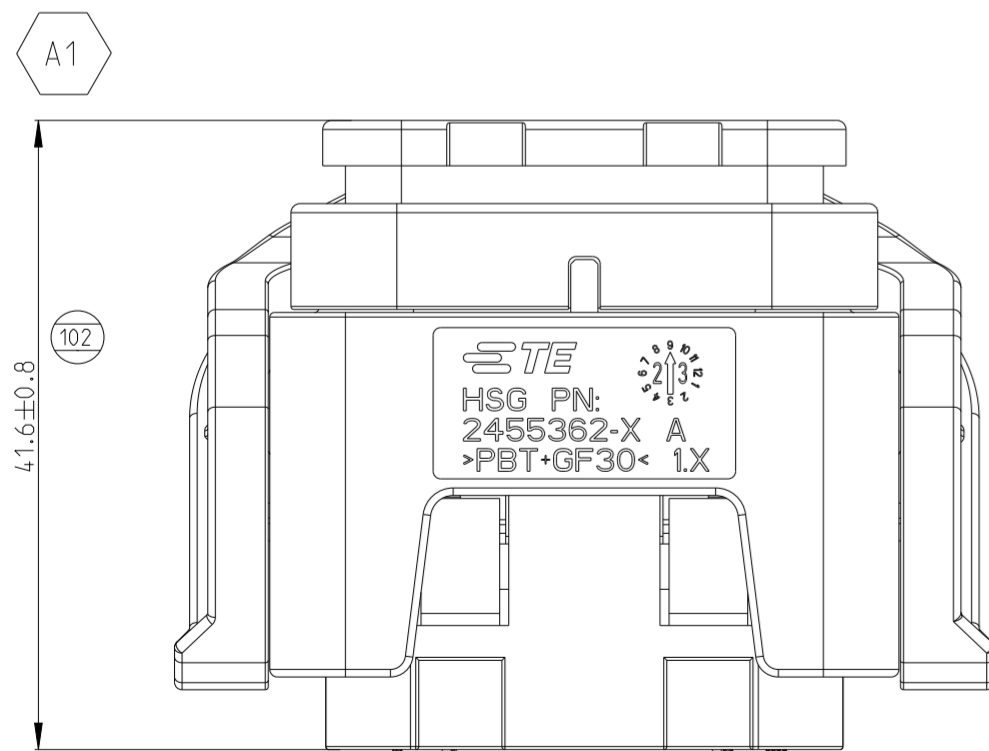
| P | LTR | DESCRIPTION | DATE | DWN | APVD |
|----|-----|-----------------|-----------|-----|------|
| A | | INITIAL RELEASE | 10SEP2023 | J.S | Z.Z |
| A1 | | ECN-24-290823 | 29OCT2024 | J.S | Z.Z |



1. THIS PLUG MATES WITH TAB HOUSING ASSEMBLY PN 2455360-X, OR 1-2455360-X (X=1, 2, 3, 4 FOR VARIOUS CODE).
2. MATERIAL SEE TABLE
3. DATE CODE: IDENTIFIES THE YEAR, MONTH, DAY AND HOUR OF ASSEMBLY.
YEAR: FIRST AND SECOND DIGITS(21-2021)
MONTH: THIRD DIGIT , EXCLUDING 1 , A=JAN, B=FEB, C=MARCH...(M=DECEMBER)
DAY: FOURTH AND FIFTH DIGITS(14-14th DAY)
HOUR: SIXTH AND SEVENTH DIGITS(11-11AM)
4. IDENTIFICATION FOR CABLE PINOUT.
5. TPA AND CPA SEATED ON PRE-LOCK POSITION FOR DELIVERY.
6. PULL TPA TO PRE-LOCK BEFORE TERMINAL INSERTION IN CASE OF TPA BEING HIT TO END-LOCK POSITION.
7. REFER TO 114-151001 FOR DT SIZE 16 TERMINAL APPLICATION SPECIFICATION. APPLICABLE TERMINAL PART NUMBERS AND WIRE SIZE:

| TERMINAL PN | WIRE SIZE (MM2) | INSULATION WIRE (MM) | PINOUT NUMBER |
|-------------|-----------------|----------------------|---------------|
| 16# | 0.75-2.5 | Ø1.7-Ø3.0 | ALL |

8. LEVER SEATED ON PRE-LOCK POSITION FOR DELIVERY.
9. LASER PRODUCT PN. SUCH AS "--1"MEANS 2455359-1.



| QTY. | REQUEST | PER | ASSY | COLOR | MATERIAL | DESCRIPTION | ITEM NO | | | |
|-----------------------|---------|-----|------|--------------------------|----------|------------------|---------|----------|-------------|---|
| 1 | 1 | 1 | 1 | RED | PBT-GF15 | CPA | 7 | | | |
| 1 | - | - | - | BLUE | PBT-GF30 | REAR CAP | 6 | | | |
| - | 1 | - | - | GREEN | | | | | | |
| - | - | 1 | - | GREY | PBT-GF30 | HOUSING CODING D | 3 | | | |
| - | - | - | 1 | BLACK | | | | | | |
| 1 | 1 | 1 | 1 | RUST RED | | | | VMQ | GROMMET | 5 |
| 1 | 1 | 1 | 1 | YELLOW | | | | PBT-GF30 | LEVER | 4 |
| 1 | - | - | - | BLUE | PBT-GF30 | HOUSING CODING C | 3 | | | |
| - | 1 | - | - | GREEN | | | | | | |
| - | - | 1 | - | GREY | | | | | | |
| - | - | - | - | BLACK | PBT-GF30 | HOUSING CODING B | 3 | | | |
| 1 | 1 | 1 | 1 | RUST RED | | | | VMQ | RADIAL SEAL | 2 |
| 1 | 1 | 1 | 1 | YELLOW | PBT-GF30 | TPA | 1 | | | |
| QTY. REQUEST PER ASSY | | | | COLOR | MATERIAL | DESCRIPTION | ITEM NO | | | |
| A | A | A | A | REVISION OF EACH ASSY PN | | | | | | |
| --4 | --3 | --2 | --1 | TE ASSEMBLY PN | | | | | | |

THIS DRAWING IS A CONTROLLED DOCUMENT.

| DIMENSIONS: | TOLERANCES UNLESS OTHERWISE SPECIFIED: |
|-------------|--|
| mm | |
| 0 PLC | ± |
| 1 PLC | ± |
| 2 PLC | ± |
| 3 PLC | ± |
| 4 PLC | ± |
| ANGLES | ± |
| FINISH | |

DWN J.SHANG 10SEP2023
 CHK C.WAN 10SEP2023
 APVD Z.ZHOU 10SEP2023

NAME NTS 38P PLUG ASSEMBLY

PRODUCT SPEC 108-101662
 APPLICATION SPEC 114-32209

WEIGHT -

CUSTOMER DRAWING

SCALE 2:1 SHEET 1 OF 1 REV A2

RESTRICTED TO -