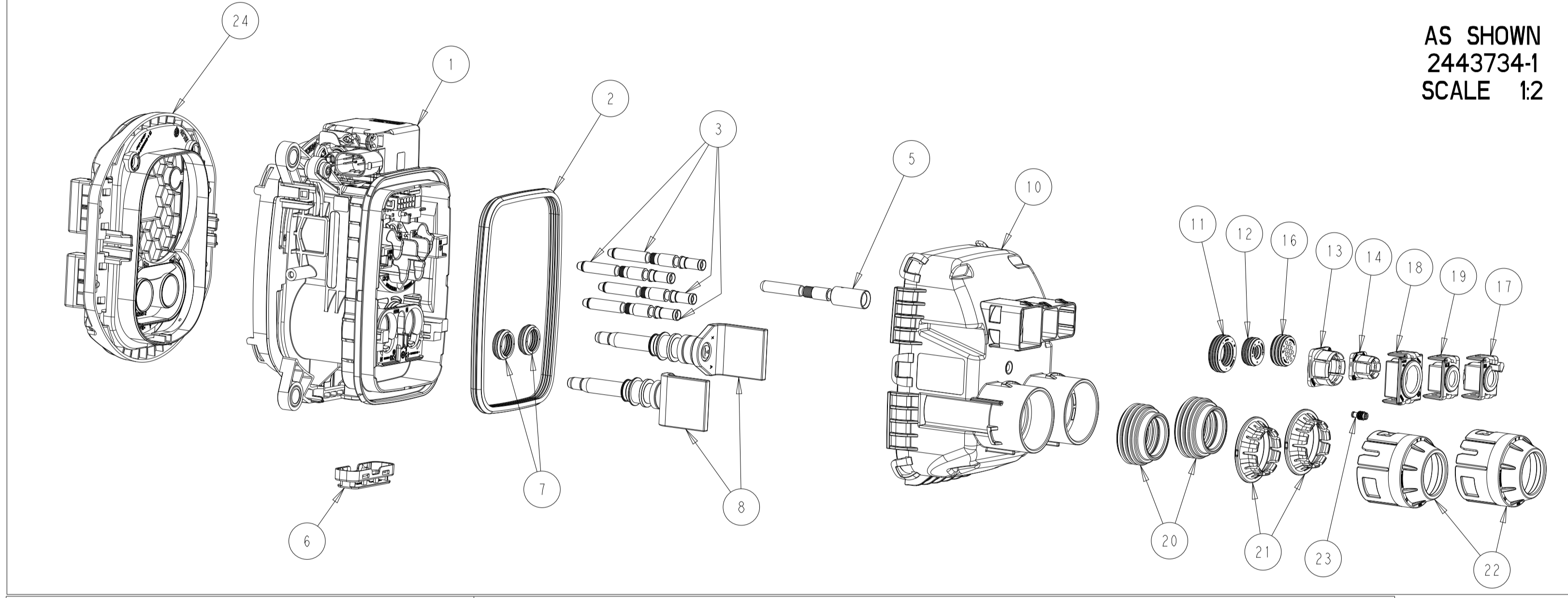
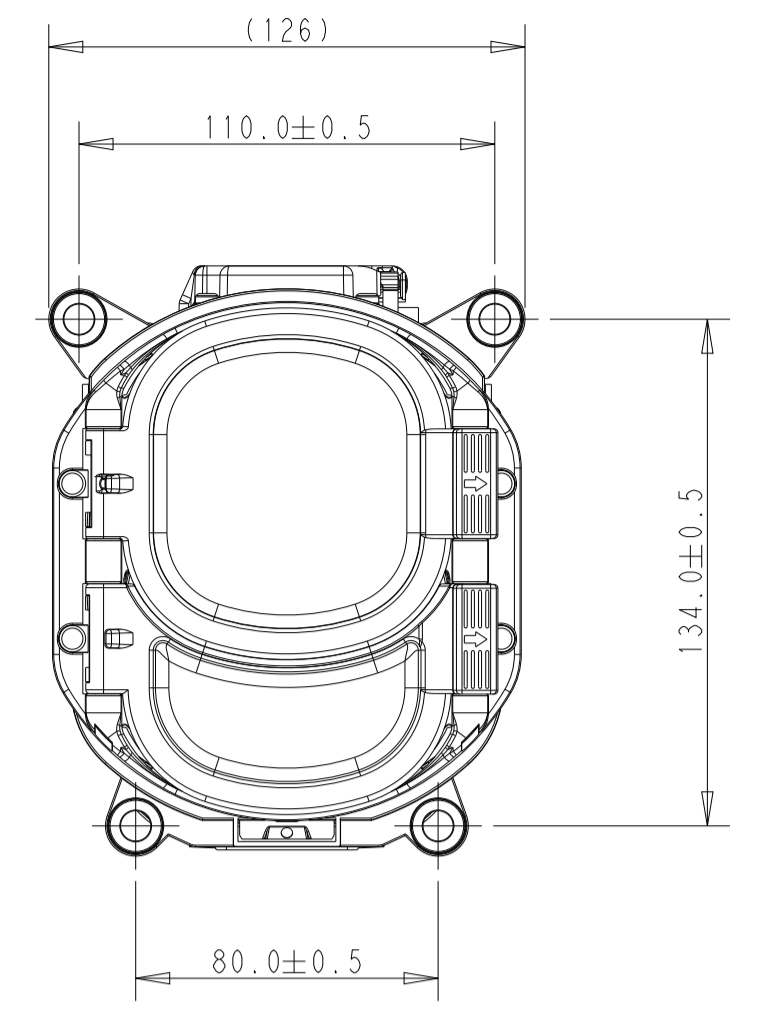


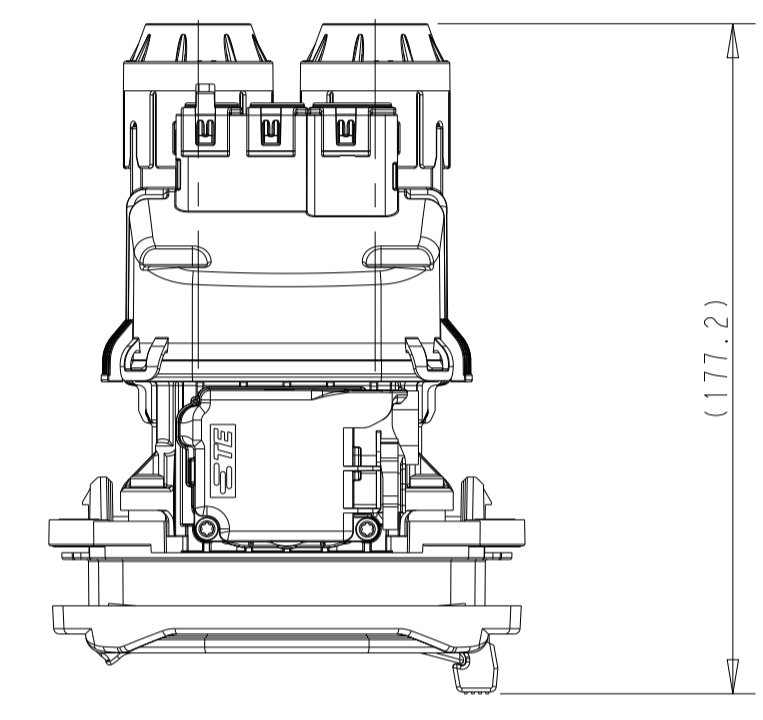
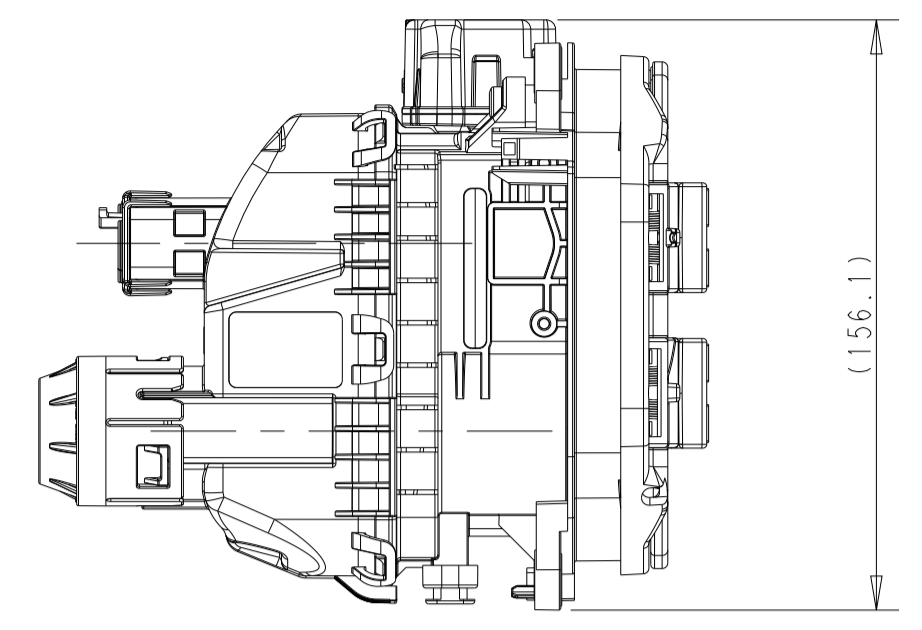
AS SHOWN  
2443734-4  
SCALE 1:2



AS SHOWN  
2443734-1  
SCALE 1:2



AS SHOWN  
SCALE 1:2



REVISIONS					
P	LTN	DESCRIPTION	DATE	OWN	APVD
A		INITIAL RELEASE	26 JUL 2023	AJ	KPB
A1		PCN-24-214969	30 JUL 2024	AJ	KBP
A2		PCN-25-247497	12 JUN 2025	KG	KPB
A3		PCN-26-275953	08 APR 2026	KG	KPB

NOTES

- PACKED INTERLAYERED IN PLASTIC BAG IN CORRUGATED SHIPPING BOX
- CHARGE INLET SIMILAR TO IEC62196-3, CCS 2, SHEET 3-1Va
- CHARGE INLET SIMILAR TO IEC62196-2, TYPE 11, SHEET 2-11f
- ADAPTIVE CABLES SEE APPLICATION SPECIFICATION 114-94757
- COMPATIBLE PCB CONNECTOR: PN 1-794617-2 WITH TERMINAL PN 0-794606-1
- FUNCTIONAL AND ELECTRICAL REQUIREMENTS OF ACTUATOR SEE SPECIFICATION 108-94519
- COMPATIBLE CONNECTOR FOR ACTUATOR: 1-967640-1
- APPLICABLE SCREWS FOR MOUNTING, HEAD DIAMETER MIN. 10.5mm, TORQUE 6Nm ±0.9Nm FOR M6 SCREWS
- DELIVERY CONDITION: SEC LOCK IN PRELOCK POSITION
- DELIVERY CONDITION ACTUATOR: ACTUATOR IN BASE POSITION
- MAKE SURE THAT NO MECHANICAL FORCES ARE APPLIED ON THE HEADER OF PCBA
- MAXIMUM VOLTAGE RATING 480 VAC  
MAX CURRENT RATING 32 A
- MAX VOLTAGE RATING 1000 VDC  
MAX CURRENT RATING 500 A
- ALL COMPONENTS OF THE PARTS LIST ARE DELIVERED IN SEPARATE SUB PACKAGES

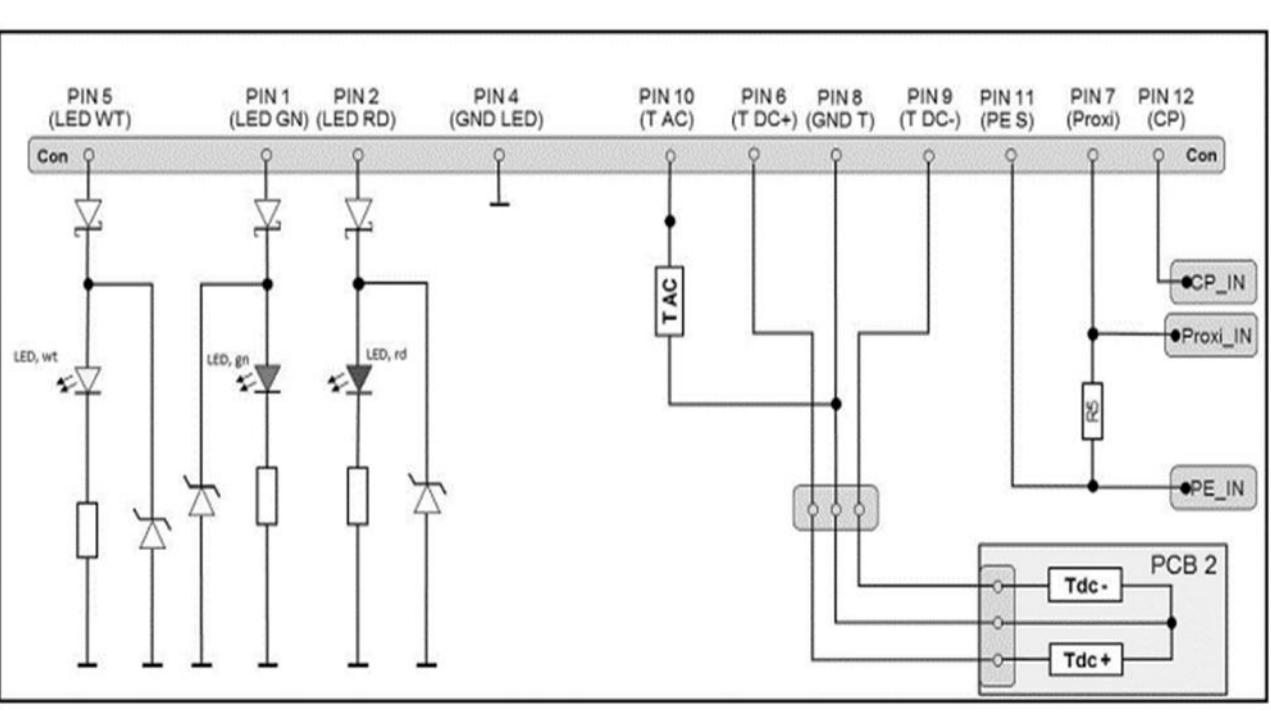
PINNING PCB

PIN NO.	COMBO 1
1	LED gn
2	LED rd
3	-
4	GND LED
5	LED wl
6	T DC+
7	Proxi
8	GND, Temp
9	T DC-
10	T AC
11	PE S
12	CP

TEST ITEM	TEST VOLTAGE		GROUND PIN	PROPERTY	
	VALUE	PIN		LIGHT EMISSION	CURRENT
LED WHITE	11V±0.2V	5	4	WHITE	20mA+4mA
LED GREEN	11V±0.2V	1	4	GREEN	20mA+4mA
LED RED	11V±0.2V	2	4	RED	20mA+4mA

TEST ITEM	RESISTANCE MEASUREMENT		VALUE @T <sub>amb</sub> : 25° ±5° C
	TEST PINS		
TAC	10	8	1097Ω ±20Ω
TDC+	6	8	1097Ω ±20Ω
TDC-	9	8	1097Ω ±20Ω
R5	11	7	4700Ω ±140Ω
Proxi	Proxi	7	0Ω+1Ω
CP	CP	12	0Ω+1Ω

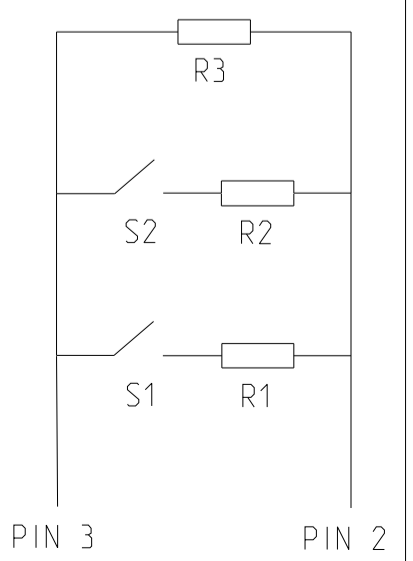
CIRCUIT DIAGRAM ( FOR INFORMATION ONLY )



3-2293469-2 : 12V ACTUATOR  
4-2293469-2 : 24V ACTUATOR  
4 WIRE VARIANT:

PIN 3	PIN 2	SENSE RESISTANCE	FUNCTION
-	-	11,000 kOhm ± 2%	LOCKED
-	+	2,194 kOhm ± 2%	DRIVE
-	-	1,540 kOhm ± 2%	FAULT
-	-	0,989 kOhm ± 2%	UNLOCKED

PIN 1	PIN 4	FUNCTION
-	+	UNLOCKING
+	-	LOCKING



1	1	1	1	963143-1	MQS BLIND PLUG	SILICON	WHITE	23
2	2	2	2	2399669-3	CABLE COVER, 120 mm2	PA66-GF30	ORANGE	22
2	2	2	2	2399668-3	STRAIN RELIEF, 120 mm2	PA66-GF30	BLACK	21
2	2	2	2	2399667-3	RADIAL SEAL, 120 mm2	LIQUID SILICONE RUBBER	YELLOW	20
1	1	1	1	2369840-3	CABLE COVER, PE, 25mm2	PBT-GF30 HR HFS	BLUE	19
-	-	1	1	2401256-1	CABLE COVER, AC	PBT-GF30 HR HFS	BLACK	18
1	1	1	1	2369838-1	LV WIRE COVER	PBT-GF30 HR HFS	BLACK	17
-	1	-	1	2401251-1	GROMMET SEAL, 11 WIRE	LIQUID SILICONE RUBBER	YELLOW	16
1	-	1	-	2418662-1	GROMMET SEAL, 7 WIRE	LIQUID SILICONE RUBBER	BROWN	15
1	1	1	1	2390861-1	STRAIN RELIEF, 25mm2	PBT-GF30 HR HFS	BLACK	14
-	-	1	1	2401254-1	STRAIN RELIEF AC	PBT-GF30 HR HFS	BLACK	13
1	1	1	1	2418661-1	SINGLE WIRE PE SEAL, 25mm2	LIQUID SILICONE RUBBER	LIGHT BLUE	12
-	-	1	1	2401253-1	SINGLE WIRE AC SEAL	LIQUID SILICONE RUBBER	GREY	11
-	-	1	1	2390858-2	CABLE EXIT, WITH AC	PA6-GF30	ORANGE	10
1	1	-	-	2390858-1	CABLE EXIT, WITHOUT AC	PA6-GF30	ORANGE	9
2	2	2	2	2390840-2	DIA 8MM, PIN TERMINAL ASSY	COPPER	SILVER/TIN	8
2	2	2	2	2338077-1	SEALING	VMQ	RED	7
1	1	1	1	2292534-1	PROTECTION CAP, WATER DRAIN	PA6-GF10-GB20	BLACK	6
1	1	1	1	2293270-5	PIN DIA 6.0, RIGID, POWER PE	BRASS	SILVER	5
4	4	-	-	2389290-2	CHARGE INLET HSG, CAVITY PLUG	PA6-GF30	BLACK	4
-	-	4	4	2293269-3	PIN CONTACT, DIA 6, ASSY	COPPER	SILVER	3
1	1	1	1	2338079-1	PERIPHERIAL SEAL COMBO	VMQ	SIGNAL BLUE	2
-	1	-	1	2401362-2	COMBO 2, CHARGE INLET ASSY WITH LED 12V ACTUATOR	-	-	1
1	-	1	-	2401362-1	COMBO 2, CHARGE INLET ASSY W/O LED 12V ACTUATOR	-	-	1

THIS DRAWING IS A CONTROLLED DOCUMENT.

OWNER: AJLITH JAMES, 25APR2023  
CHK: AMRUTHA RAO C H, 25APR2023  
APVD: KASHYAP P B, 25APR2023

DIMENSIONS: mm

TOLERANCES UNLESS OTHERWISE SPECIFIED:

0 PLC	±0.1
1 PLC	±0.1
2 PLC	±0.1
3 PLC	±0.001
4 PCC	±0.001
ANGLES	±0.1
FINISH	-

MATERIAL: SEE TABLE

DIMENSION AND TOLERANCES ACCORDING TO:  
DIN 16742  
DIN EN ISO 8015 (A1) - DIN EN ISO 291  
DIN EN ISO 14405-1/-2/-3

TE Connectivity

NAME: CCS2-KIT ASSY\_120SOMM-32A

SIZE: 114-94757

WEIGHT: 0.0779g

CAGE CODE: 00779

DRAWING NO: 2443734

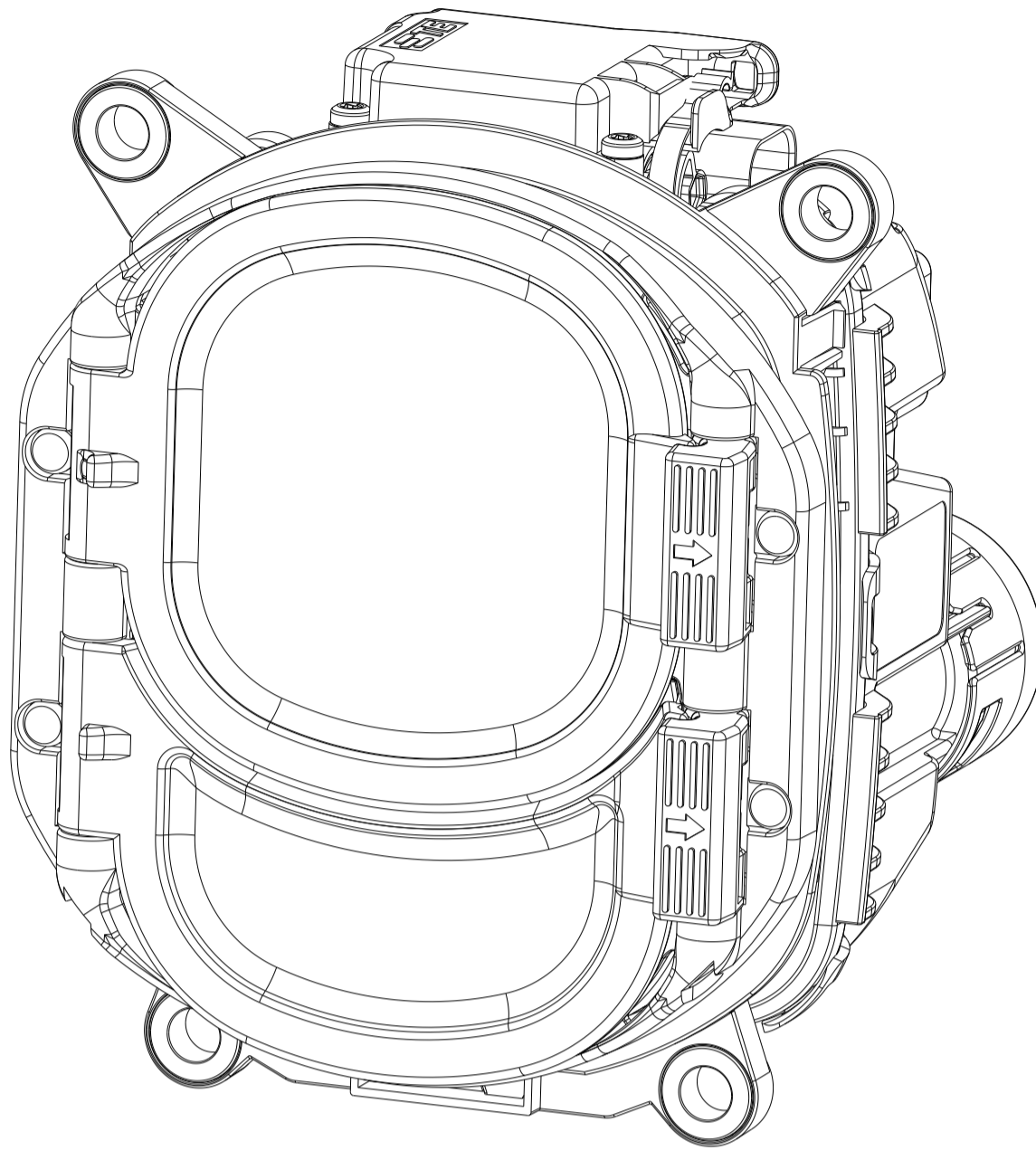
SHEET 1 OF 2

SCALE: 1:1

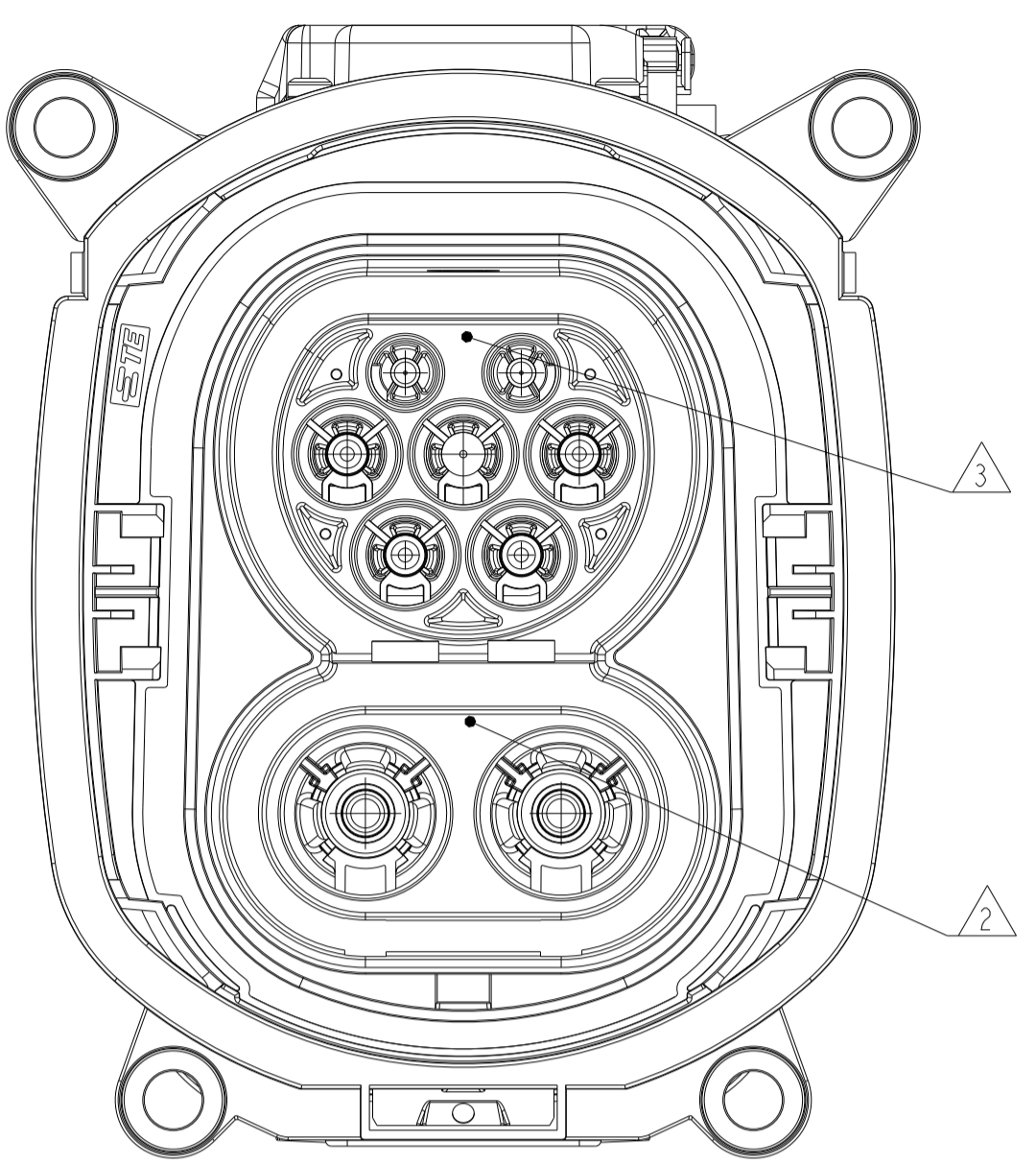
CUSTOMER DRAWING

### VARIANTS OVERVIEW

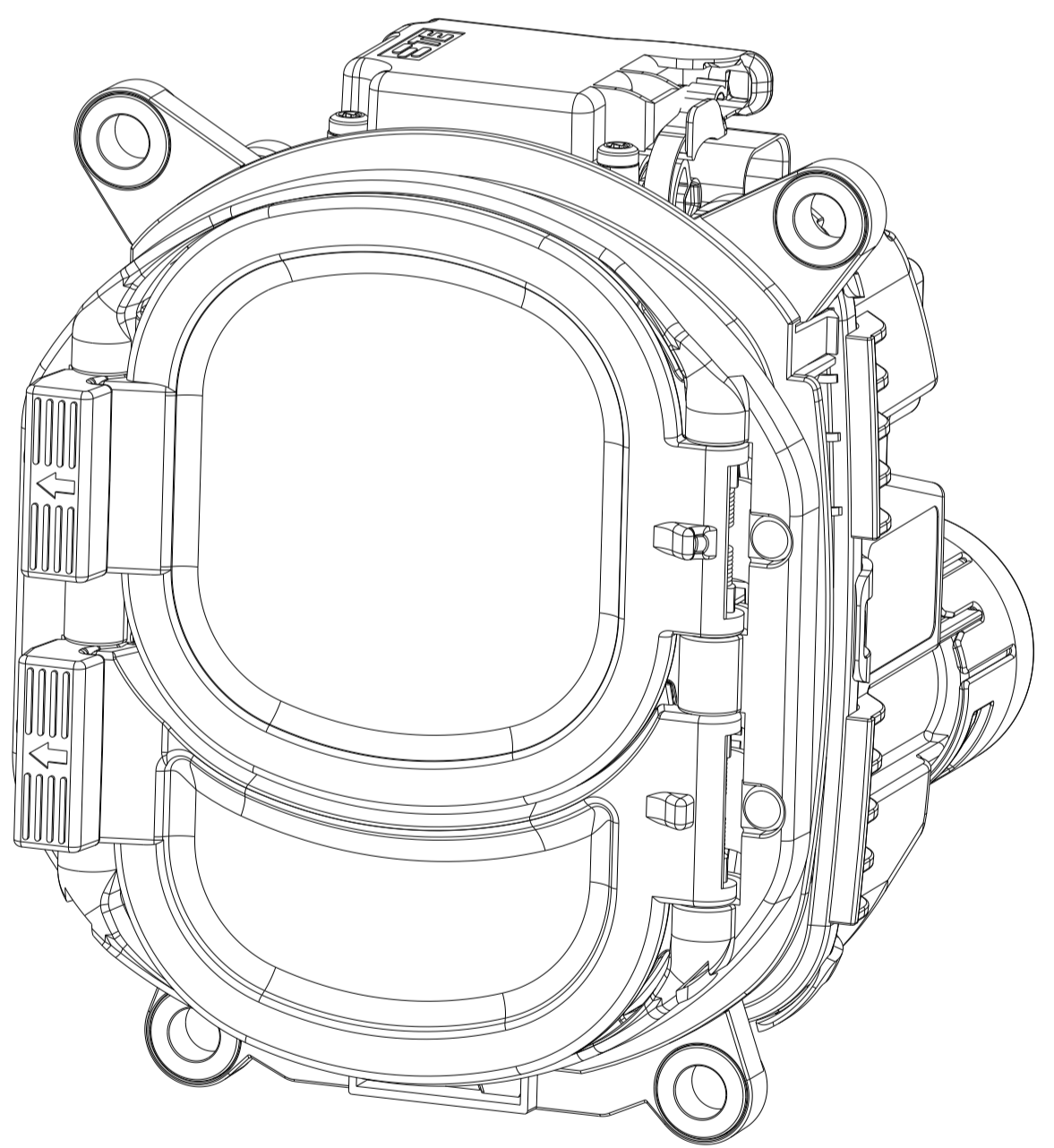
**CHARGE INLET ASSEMBLY 180° DC & 180° AC  
FLAP ASSEMBLY LEFT**  
SCALE 1:1



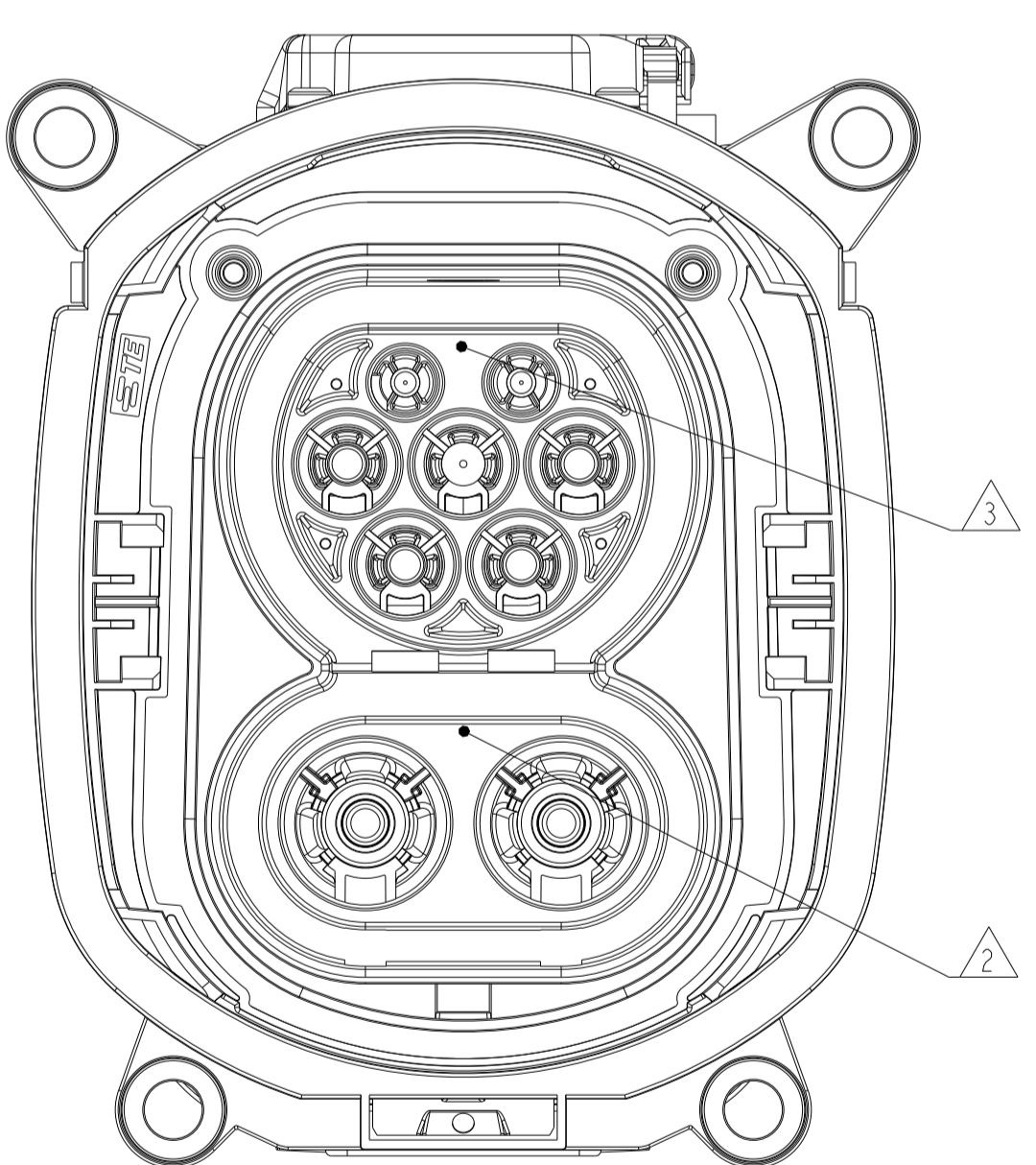
**WITHOUT FLAP ASSEMBLY-W/O LED** A3  
SCALE 1:1



**CHARGE INLET ASSEMBLY 180° DC & 180° AC  
FLAP ASSEMBLY RIGHT**  
SCALE 1:1



**WITHOUT FLAP ASSEMBLY-WITH LED** A3  
SCALE 1:1



REVISIONS				
P	LTN	DESCRIPTION	DATE	OWN
		SEE SHEET 1		

#### FLAP OPTIONS AVAILABLE

ITEM NO	DESCRIPTION	ORDER PN	QTY	IMAGE
24	FLAP ASSY. LEFT WITH LED	2358664-6	1	SECTION B-B SCALE 1:4 
	FLAP ASSY. RIGHT WITH LED	2358664-8	1	SECTION B-B SCALE 1:4 
25	FLAP ASSY. LEFT W/O LED	2358664-2	1	SECTION B-B SCALE 1:4 
	FLAP ASSY. RIGHT W/O LED	2358664-4	1	SECTION B-B SCALE 1:4 

1	1	1	1	963143-1	MQS BLIND PLUG	SILICON	WHITE	23
2	2	2	2	2399669-3	CABLE COVER, 120 mm2	PA66-GF30	ORANGE	22
2	2	2	2	2399668-3	STRAIN RELIEF, 120 mm2	PA66-GF30	BLACK	21
2	2	2	2	2399667-3	RADIAL SEAL, 120 mm2	LIQUID SILICONE RUBBER	YELLOW	20
1	1	1	1	2369840-3	CABLE COVER, PE, 25mm2	PBT-GF30 HR HFS	BLUE	19
-	-	1	1	2401256-1	CABLE COVER, AC	PBT-GF30 HR HFS	BLACK	18
1	1	1	1	2369838-1	LV WIRE COVER	PBT-GF30 HR HFS	BLACK	17
-	1	-	1	2401251-1	GROMMET SEAL, 11 WIRE	LIQUID SILICONE RUBBER	YELLOW	16
1	-	1	-	2418662-1	GROMMET SEAL, 7 WIRE	LIQUID SILICONE RUBBER	BROWN	15
1	1	1	1	2390861-1	STRAIN RELIEF, 25mm2	PBT-GF30 HR HFS	BLACK	14
-	-	1	1	2401254-1	STRAIN RELIEF AC	PBT-GF30 HR HFS	BLACK	13
1	1	1	1	2418661-1	SINGLE WIRE PE SEAL, 25mm2	LIQUID SILICONE RUBBER	LIGHT BLUE	12
-	-	1	1	2401253-1	SINGLE WIRE AC SEAL	LIQUID SILICONE RUBBER	GREY	11
-	-	1	1	2390858-2	CABLE EXIT, WITH AC	PA6-GF30	ORANGE	10
1	1	-	-	2390858-1	CABLE EXIT, WITHOUT AC	PA6-GF30	ORANGE	9
2	2	2	2	2390840-2	DIA 8MM,PIN TERMINAL ASSY	COPPER	SILVER/TIN	8
2	2	2	2	2338077-1	SEALING	VMQ	RED	7
1	1	1	1	2292534-1	PROTECTION CAP,WATER DRAIN	PA6-GF10+GB20	BLACK	6
1	1	1	1	2293270-5	PIN DIA 6.0, RIGID, POWER PE	BRASS	SILVER	5
4	4	-	-	2389290-2	CHARGE INLET HSG, CAVITY PLUG	PA6-GF30	BLACK	4
-	-	4	4	2293269-3	PIN CONTACT, DIA 6, ASSY	COPPER	SILVER	3
1	1	1	1	2338079-1	PERIPHERIAL SEAL COMBO	VMQ	SIGNAL BLUE	2
-	1	-	1	2401362-4	COMBO 2, CHARGE INLET ASSY WITH LED 24V ACTUATOR	-	-	1
1	-	1	-	2401362-3	COMBO 2, CHARGE INLET ASSY W/O LED 24V ACTUATOR	-	-	1
<b>1-2443734-4</b>	<b>1-2443734-3</b>	<b>1-2443734-2</b>	<b>1-2443734-1</b>					
<b>KIT ASSY W/O AC &amp; W/O LED 24V ACTUATOR</b>	<b>KIT ASSY W/O AC &amp; WITH LED 24V ACTUATOR</b>	<b>KIT ASSY WITH AC &amp; W/O LED 24V ACTUATOR</b>	<b>KIT ASSY WITH AC &amp; WITH LED 24V ACTUATOR</b>	<b>ORDER PN</b>	<b>PART DESCRIPTION</b>	<b>MATERIAL</b>	<b>SURFACE/ COLOR</b>	<b>ITEM NO</b>

DIMENSION AND TOLERANCES ACCORDING TO:

DIN 16742  
DIN EN ISO 8015 (M) - DIN EN ISO 291  
DIN EN ISO 14405-1/-2/-3

THIS DRAWING IS A CONTROLLED DOCUMENT.

APPROVED: **ASHYAP P B** 25APR2023

TE Connectivity

NAME: **CCS2-KIT ASSY\_120SOMM-32A**

SIZE: **A1** CAGE CODE: **00779** DRAWING NO: **2443734** RESTRICTED TO: **-**

SCALE: 1:1 SHEET 2 OF 2 REV: A3