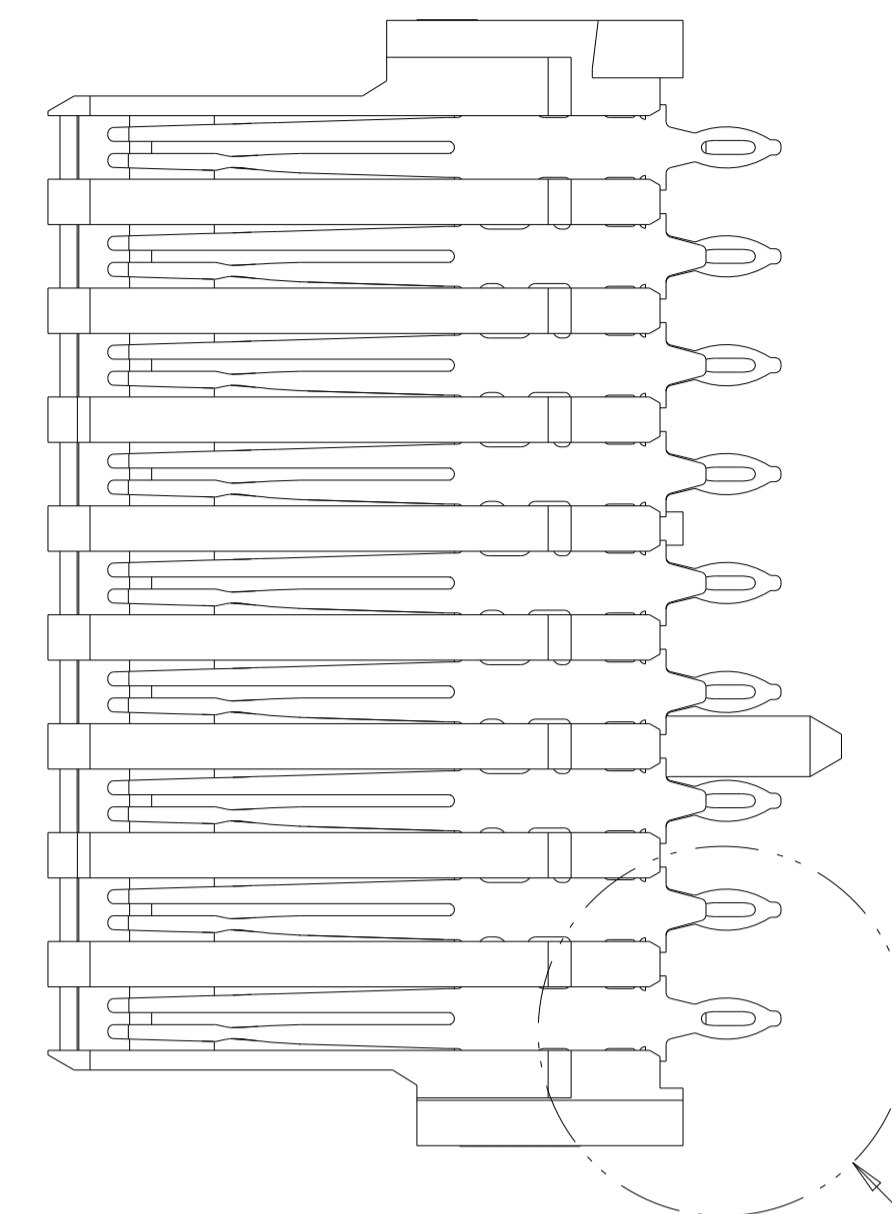
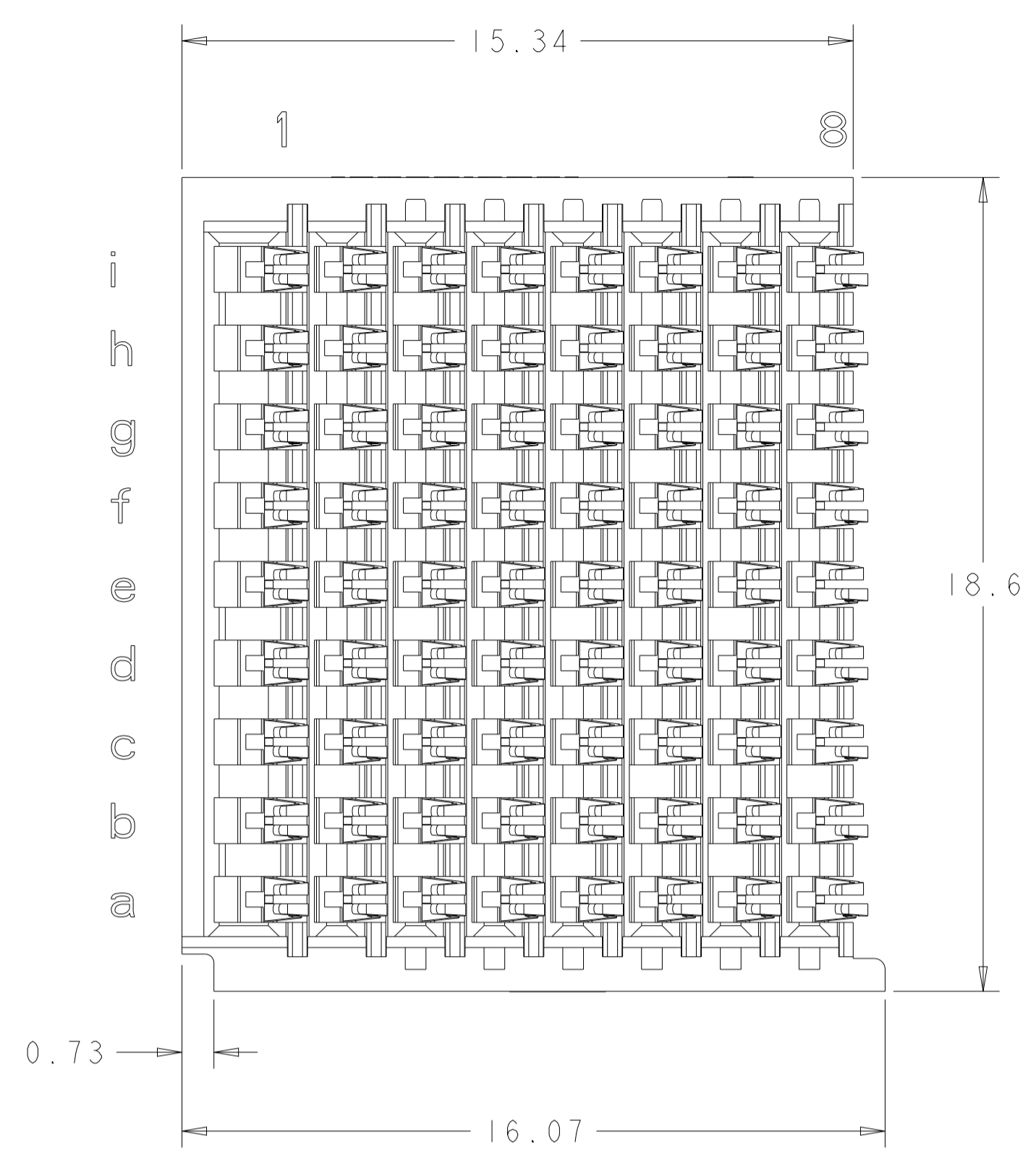
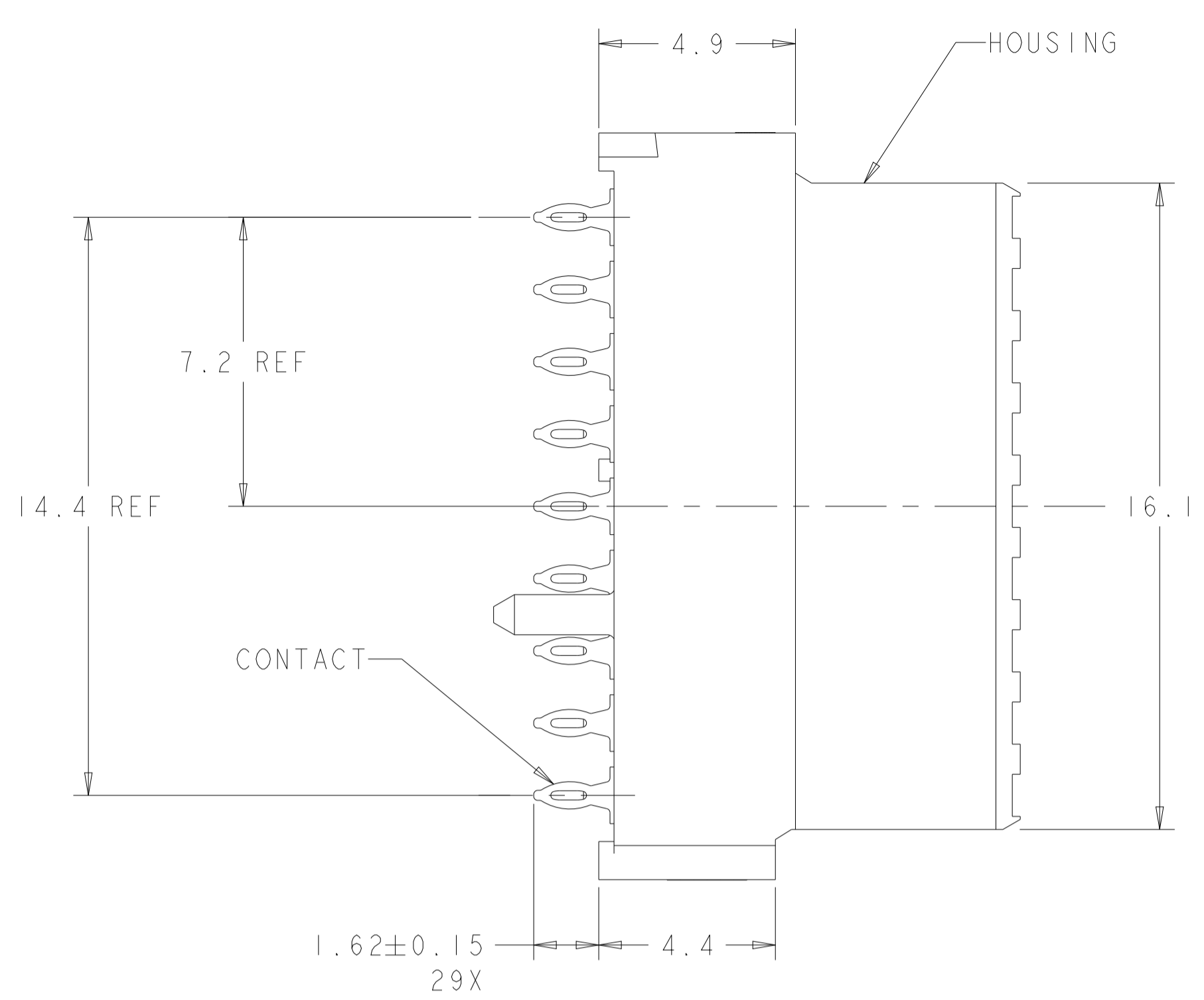
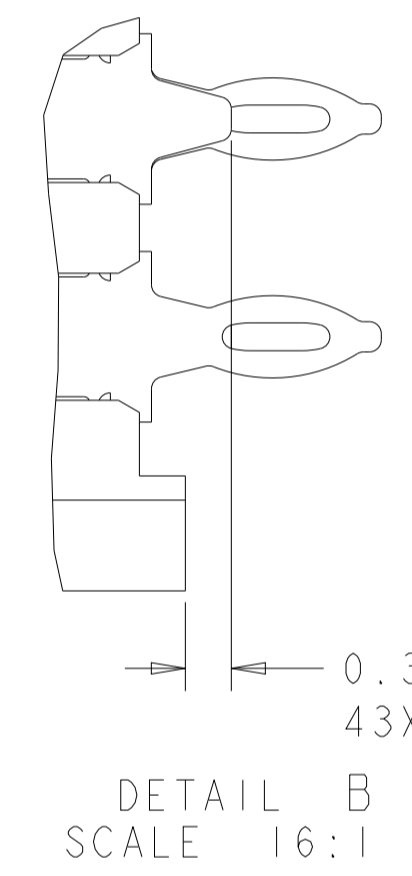


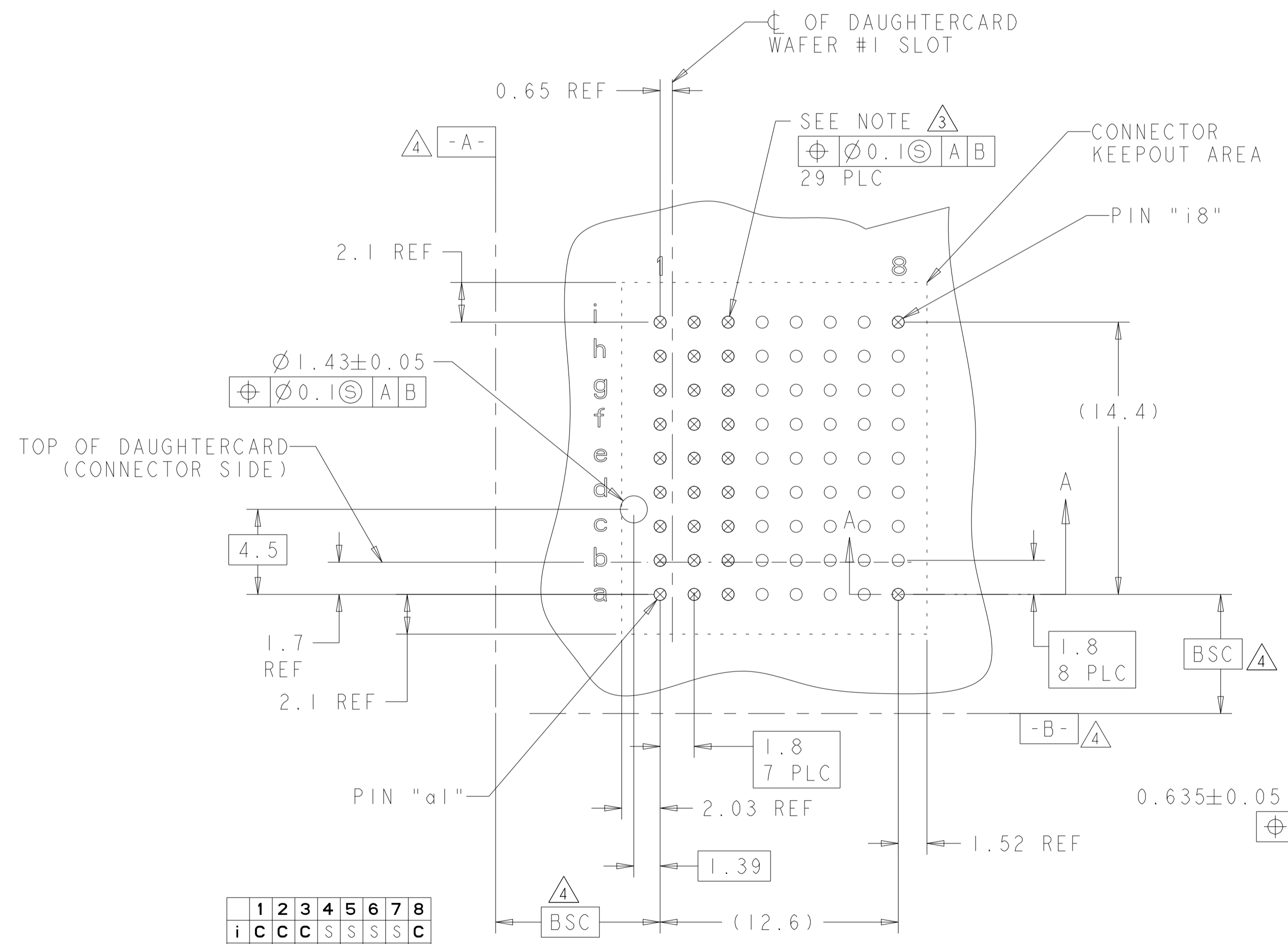
REVISIONS				
P	LTN	DESCRIPTION	DATE	OWN APVD
A		RELEASE PER ECN-23-237344	30OCT2023	LS DH
B		REV PER ECN-25-337919	15AUG2025	LP JG



SEE DETAIL B



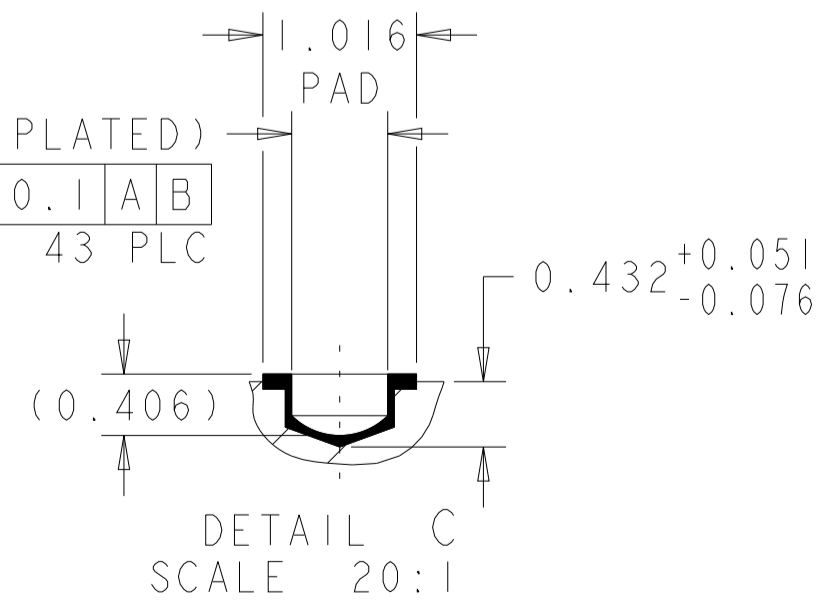
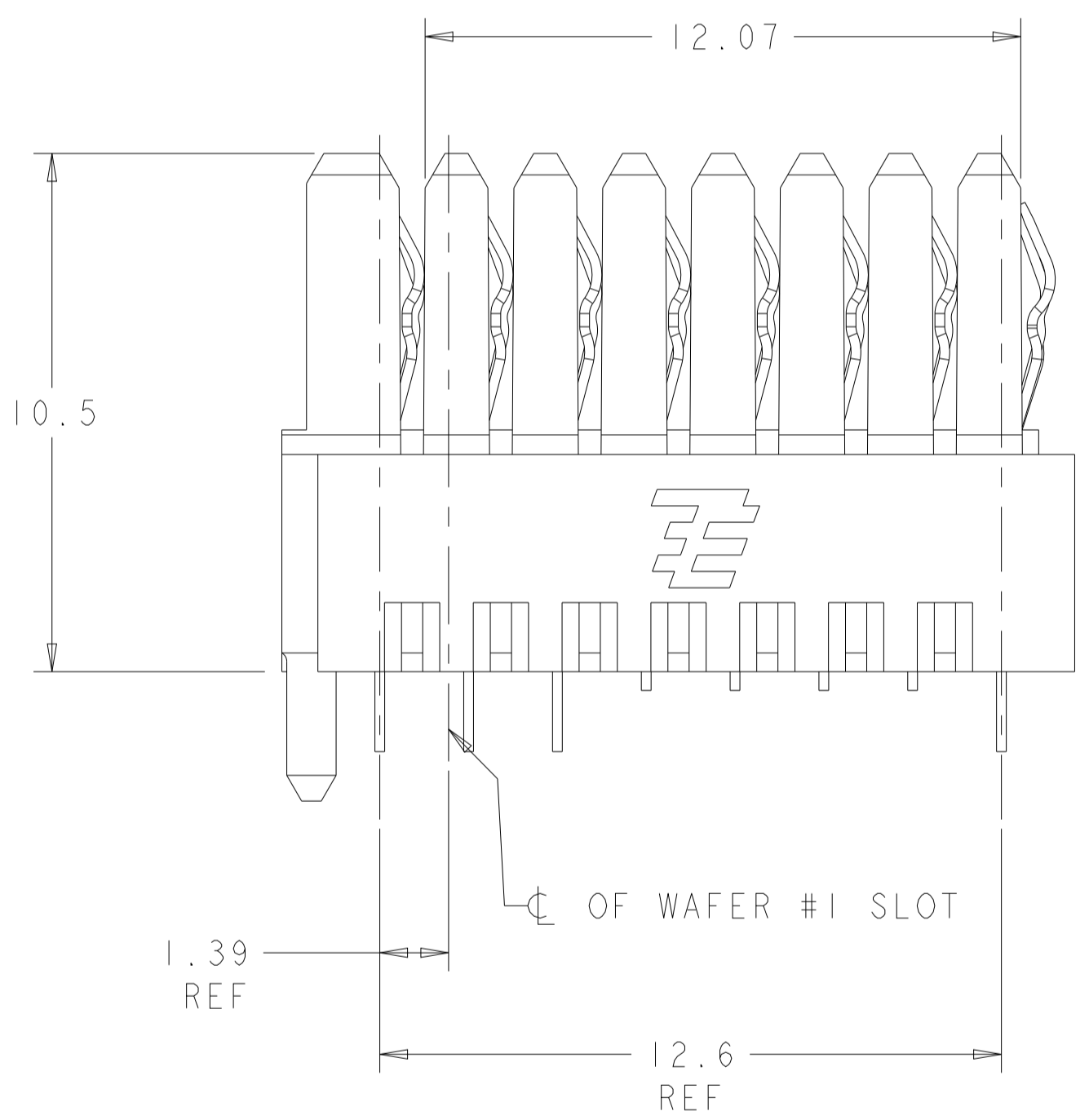
DETAIL B SCALE 16:1



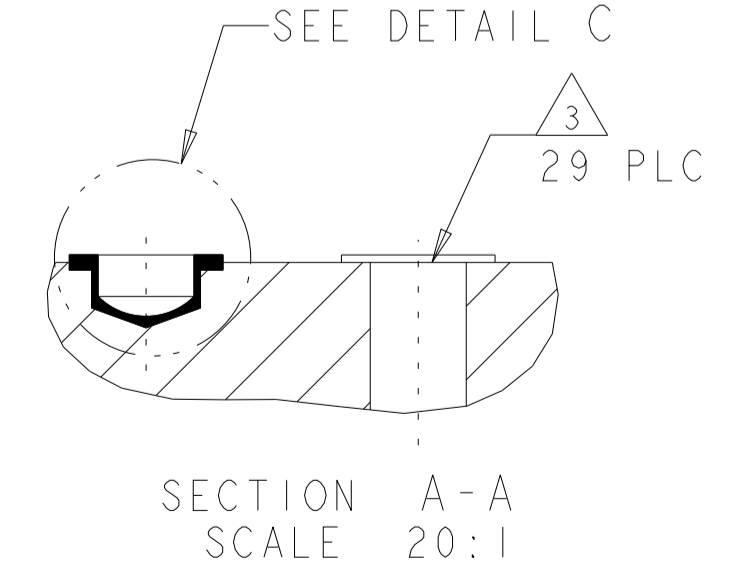
TOP OF DAUGHTERCARD (CONNECTOR SIDE)

	1	2	3	4	5	6	7	8
i	C	C	C	S	S	S	S	C
h	C	C	C	S	S	S	S	C
g	C	C	C	S	S	S	S	C
f	C	C	C	S	S	S	S	C
e	C	C	C	S	S	S	S	C
d	C	C	C	S	S	S	S	C
c	C	C	C	S	S	S	S	C
b	C	C	C	S	S	S	S	C
a	C	C	C	S	S	S	S	C

S = SOLDER TAIL  
C = COMPLIANT PIN



DETAIL C SCALE 20:1



SECTION A-A SCALE 20:1

- △ HOUSING: LCP, UL94V0, COLOR: BLACK. CONTACT: PHOSPHOR BRONZE.
- △ FINISH CONTACT: 1.27µm GOLD IN CONTACT AREA. COMPLIANT PIN: 1.27µm MIN TIN-LEAD (93/7) ON PCB TAIL OVER 2.54µm MIN. NICKEL OVER ALL. SOLDER TAIL: 5.08µm MIN TIN-LEAD (93/7) ON PCB TAIL OVER 2.54µm MIN. NICKEL OVER ALL.
- △ PLATED THROUGH HOLE PER 114-163004, FIGURE 10 RT2 VERTICAL RECEPTAL (BACKPLANE) DIMENSION.
- △ DATUMS AND BASIC DIMENSIONS ESTABLISHED BY CUSTOMER.
- △ FINISH CONTACT: 1.27µm GOLD IN CONTACT AREA. COMPLIANT PIN: 1.27µm MIN TIN ON PCB TAIL OVER 2.54µm MIN. NICKEL OVER ALL. SOLDER TAIL: 5.08µm MIN TIN ON PCB TAIL OVER 2.54µm MIN. NICKEL OVER ALL.

WARNING - THIS DOCUMENT CONTAINS TECHNOLOGY WHOSE EXPORT IS RESTRICTED BY THE EXPORT ADMINISTRATION REGULATIONS ("EAR") PURSUANT TO 15 C.F.R. PARTS 730-774. VIOLATIONS OF THE EAR ARE SUBJECT TO SEVERE CRIMINAL PENALTIES UNDER THE EXPORT CONTROL REFORM ACT, AS AMENDED (TITLE 50, U.S.C., SEC. 4801, ET SEQ.).

△	2407868-2
△	2407868-1
CONTACT PLATING	PART NUMBER

THIS DRAWING IS A CONTROLLED DOCUMENT. OWN: L. PROSEPERI 07MAR2022. CHK: D. HOANG 07MAR2022. APVD: D. HOANG 07MAR2022.

DIMENSIONS: mm. TOLERANCES UNLESS OTHERWISE SPECIFIED: 0 PLC ±0.13, 1 PLC ±0.5, 2 PLC ±0.13, 3 PLC ±0.13, 4 PLC ±0.13, ANGLES ±1°.

MATERIAL: △. FINISH: △.

SIZE: 114-163004. WEIGHT: 3.55g. CUSTOMER DRAWING.

NAME: CONNECTOR ASSEMBLY, BACKPLANE VERTICAL RECEPTACLE, HALF, LEFT END, 20.3mm, MULTIGIG RT 3; SOLDER TAIL. SIZE: CAGE CODE DRAWING NO. RESTRICTED TO: A100779C=2407868. SCALE: 8:1. SHEET 1 OF 1. REV B.