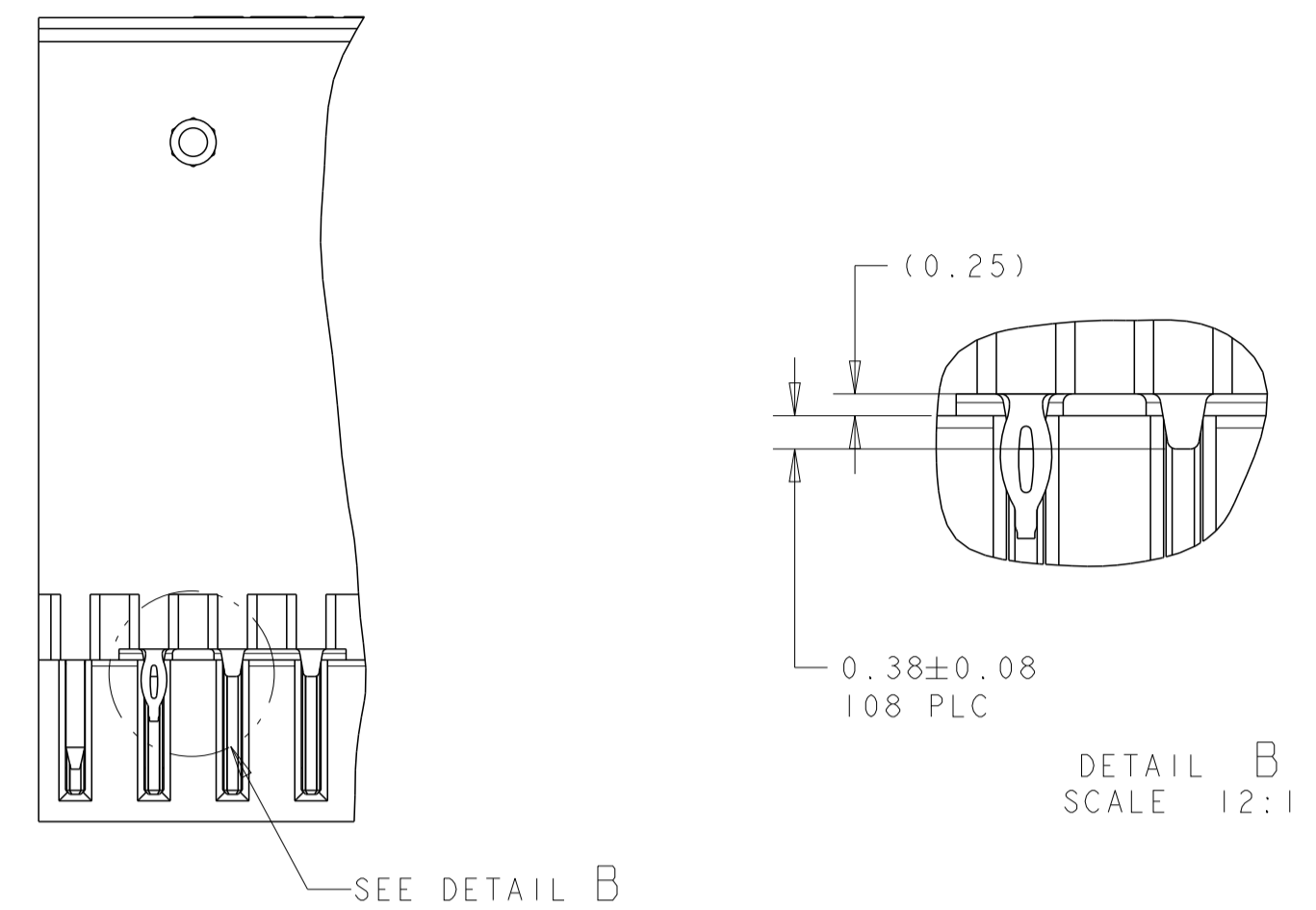
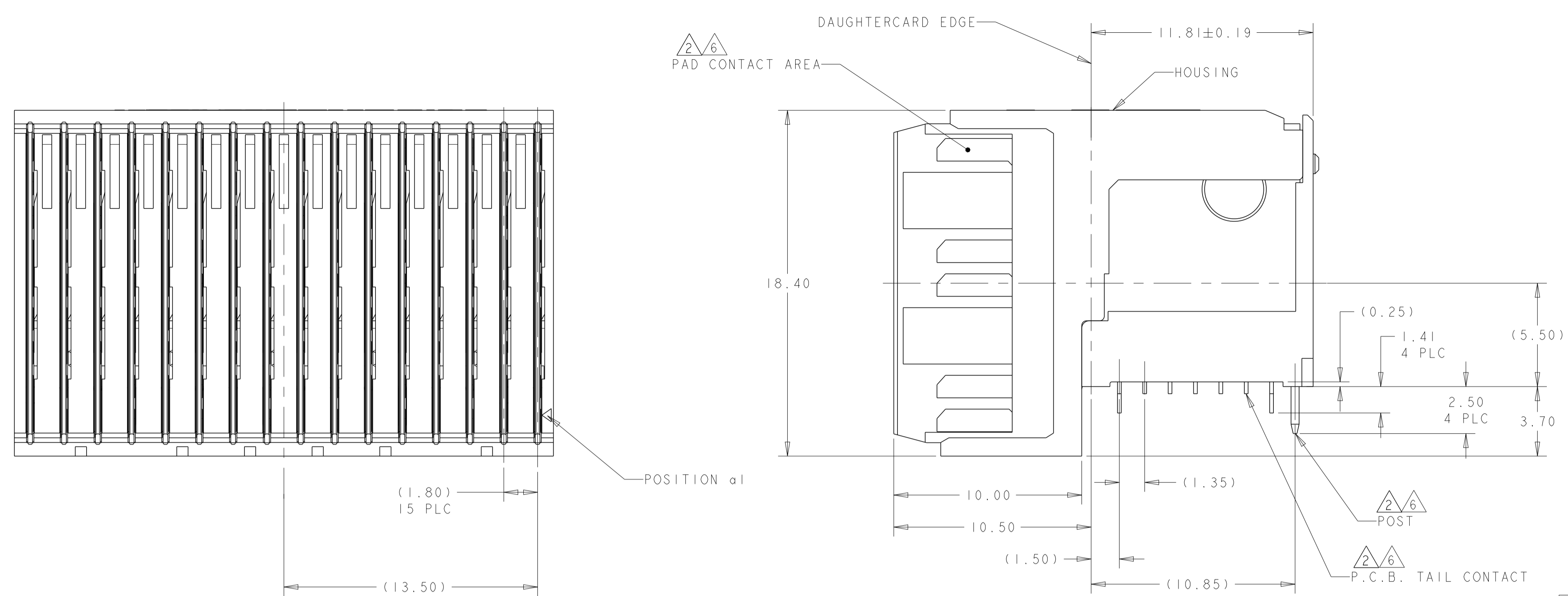


REVISIONS				
P	LT#	DESCRIPTION	DATE	APP'D
A		RELEASE PER ECN-23-237702	02NOV2023	LS DH



WARNING - THIS DOCUMENT CONTAINS TECHNOLOGY WHOSE EXPORT IS RESTRICTED BY THE EXPORT ADMINISTRATION REGULATIONS ("EAR") PURSUANT TO 15 C.F.R. PARTS 730-774. VIOLATIONS OF THE EAR ARE SUBJECT TO SEVERE CRIMINAL PENALTIES UNDER THE EXPORT CONTROL REFORM ACT, AS AMENDED (TITLE 50, U.S.C., SEC. 4801, ET SEQ.).

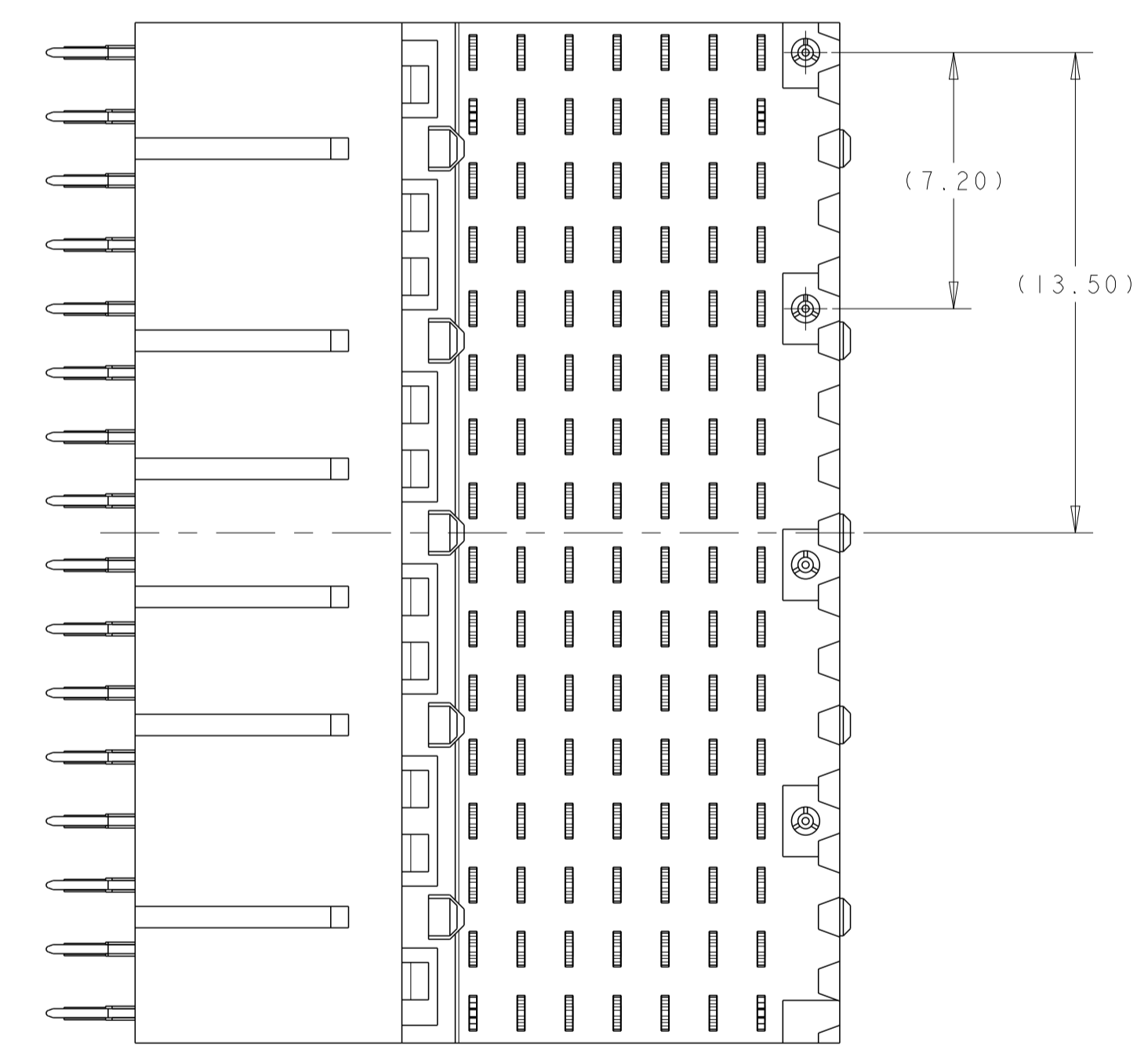
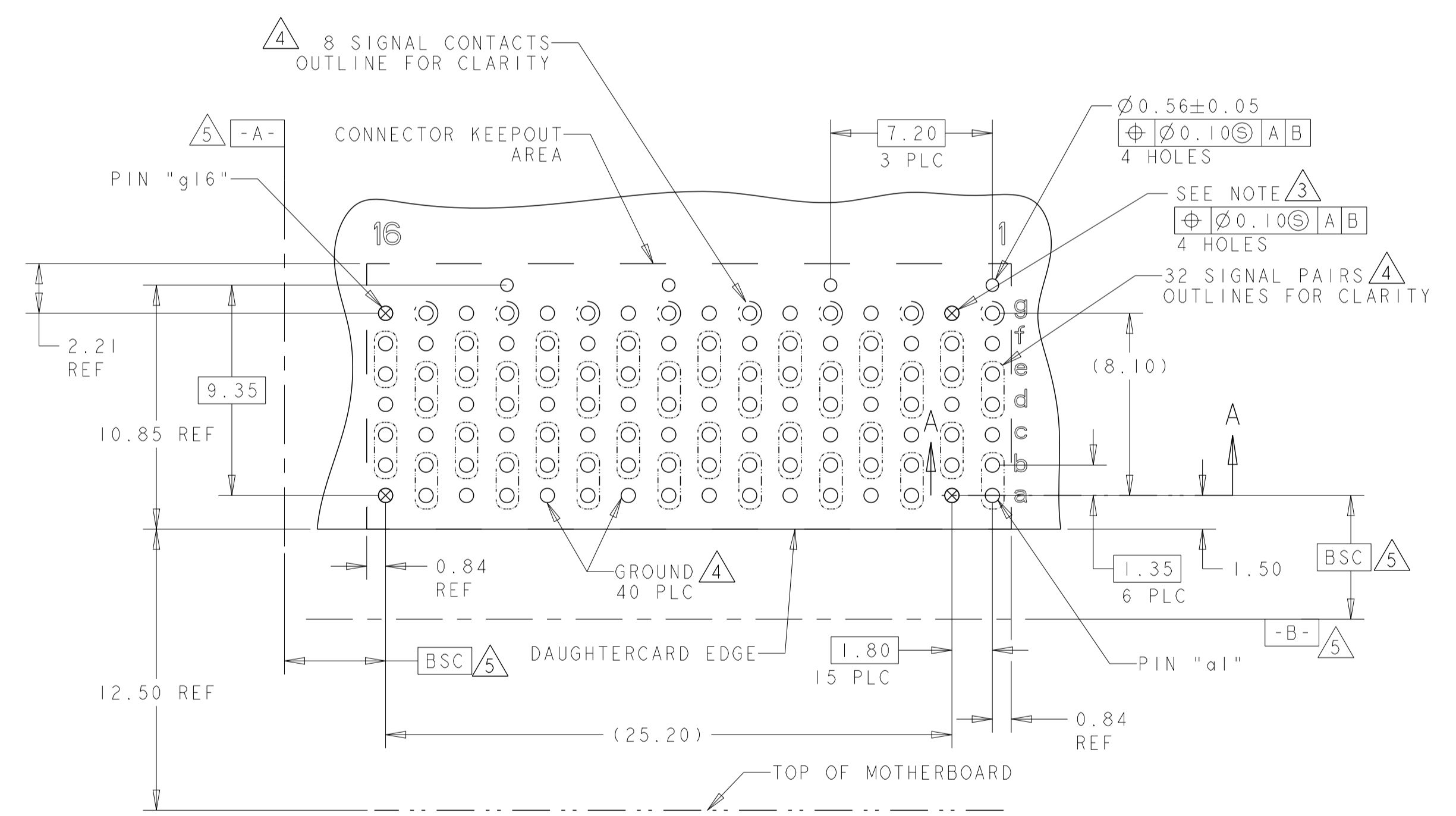


TABLE 1
INTERCONNECTIONS WITH BACKPLANE CONNECTOR

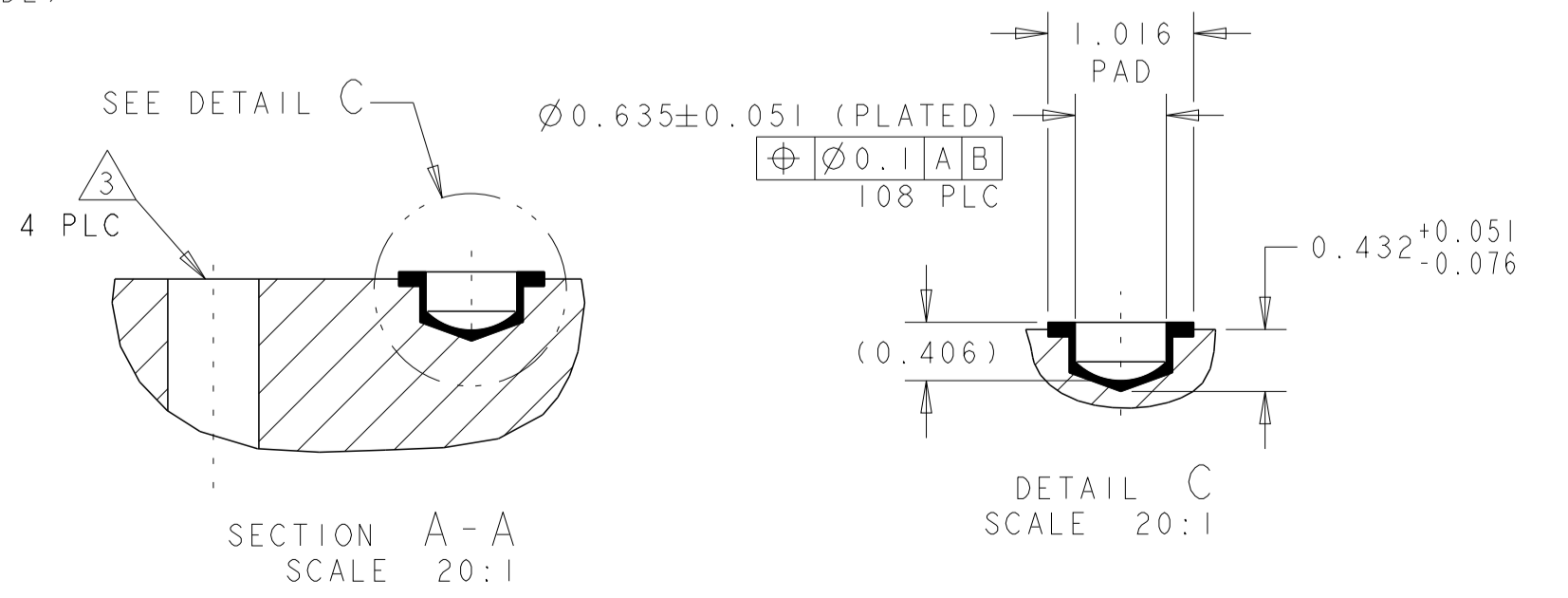
TYPICAL INTERCONNECTIONS FOR EACH EVEN-NUMBERED COLUMN (WAFER): 2, 4, 6, 8, 10, 12, 14, 16		
CONTACT USAGE	DAUGHTERCARD CONNECTOR PIN	BACKPLANE CONNECTOR PIN
SIGNAL PAIR	bx	cx
SIGNAL PAIR	cx	dx
SIGNAL PAIR	ex	gx
SIGNAL PAIR	fx	hx
GROUND	ax, dx, gx, (ALL COMMONED)	ax, bx, ex, fx, ix
TYPICAL INTERCONNECTIONS FOR EACH ODD-NUMBERED COLUMN (WAFER): 1, 3, 5, 7, 9, 11, 13, 15		
CONTACT USAGE	DAUGHTERCARD CONNECTOR PIN	BACKPLANE CONNECTOR PIN
SIGNAL PAIR	ax	ax
SIGNAL PAIR	bx	bx
SIGNAL PAIR	dx	ex
SIGNAL PAIR	ex	fx
SIGNAL PAIR	gx	ix
GROUND	cx, fx (ALL COMMONED)	cx, dx, gx, hx

NOTE: "x" DESIGNATES THE COLUMN NUMBER

PC BOARD LAYOUT (CONNECTOR SIDE) SCALE 5:1

16	15	14	13	12	11	10	9	8	7	6	5	4	3	2	1
C	S	S	S	S	S	S	S	S	S	S	S	S	S	S	C
S	S	S	S	S	S	S	S	S	S	S	S	S	S	S	g
S	S	S	S	S	S	S	S	S	S	S	S	S	S	S	f
S	S	S	S	S	S	S	S	S	S	S	S	S	S	S	e
S	S	S	S	S	S	S	S	S	S	S	S	S	S	S	d
S	S	S	S	S	S	S	S	S	S	S	S	S	S	S	c
S	S	S	S	S	S	S	S	S	S	S	S	S	S	S	b
C	S	S	S	S	S	S	S	S	S	S	S	S	S	S	a

S = SOLDER TAIL
C = COMPLIANT PIN
G = GUIDE PIN



- 1 HOUSING: LCP, UL94V0, COLOR: BLACK. CONTACT: PHOSPHOR BRONZE. POST: BRASS WIRE
- 2 FINISH CONTACT: 1.27µm GOLD IN PAD CONTACT AREA 1.27µm MIN. TIN-LEAD (93/7) ON PCB TAIL OVER 1.27µm MIN NICKEL OVER ALL. POST: 1.27µm MIN MICKEL PLATED.
- 3 PLATED THROUGH HOLE PER 114-163004, FIGURE 10, RT2 RIGHT-ANGLE PLUG(DAUGHTER CARD) DIMENSION.
- 4 SEE TABLE 1 FOR INTERCONNECTIONS TO BACKPLANE CONNECTOR.
- 5 DATUMS AND BASIC DIMENSIONS ESTABLISHED BY CUSTOMER.
- 6 FINISH CONTACT: 1.27µm GOLD IN PAD CONTACT AREA 1.27µm MIN. TIN ON PCB TAIL OVER 1.27µm MIN NICKEL OVER ALL. POST: 1.27µm MIN MICKEL PLATED.

THIS DRAWING IS A CONTROLLED DOCUMENT.

DIMENSIONS:	TOLERANCES UNLESS OTHERWISE SPECIFIED:	DWN L. PROSPERI 07MAR2022	CHK D. HOANG 07MAR2022
mm	0 PLC ±0.5 1 PLC ±0.5 2 PLC ±0.13 3 PLC ±0.13 4 PLC ±0.13 ANGLES ±1°	APP'D D. HOANG 07MAR2022	NAME
MATERIAL	FINISH	PRODUCT SPEC	108-2072-4
	SEE TABLE	APPLICATION SPEC	114-163004
		SIZE	CAGE CODE DRAWING NO
		WEIGHT	10.33g
		CUSTOMER DRAWING	A100779C=2407865
		SCALE	4:1
		SHEET	1 OF 1
		REV	A

STE TE Connectivity

RIGHT-ANGLE PLUG ASSEMBLY, 7 ROW CENTER, 20.3mm, MULTIGIG RT 3, D-CARD, DIFFERENTIAL, SOLDER TAIL