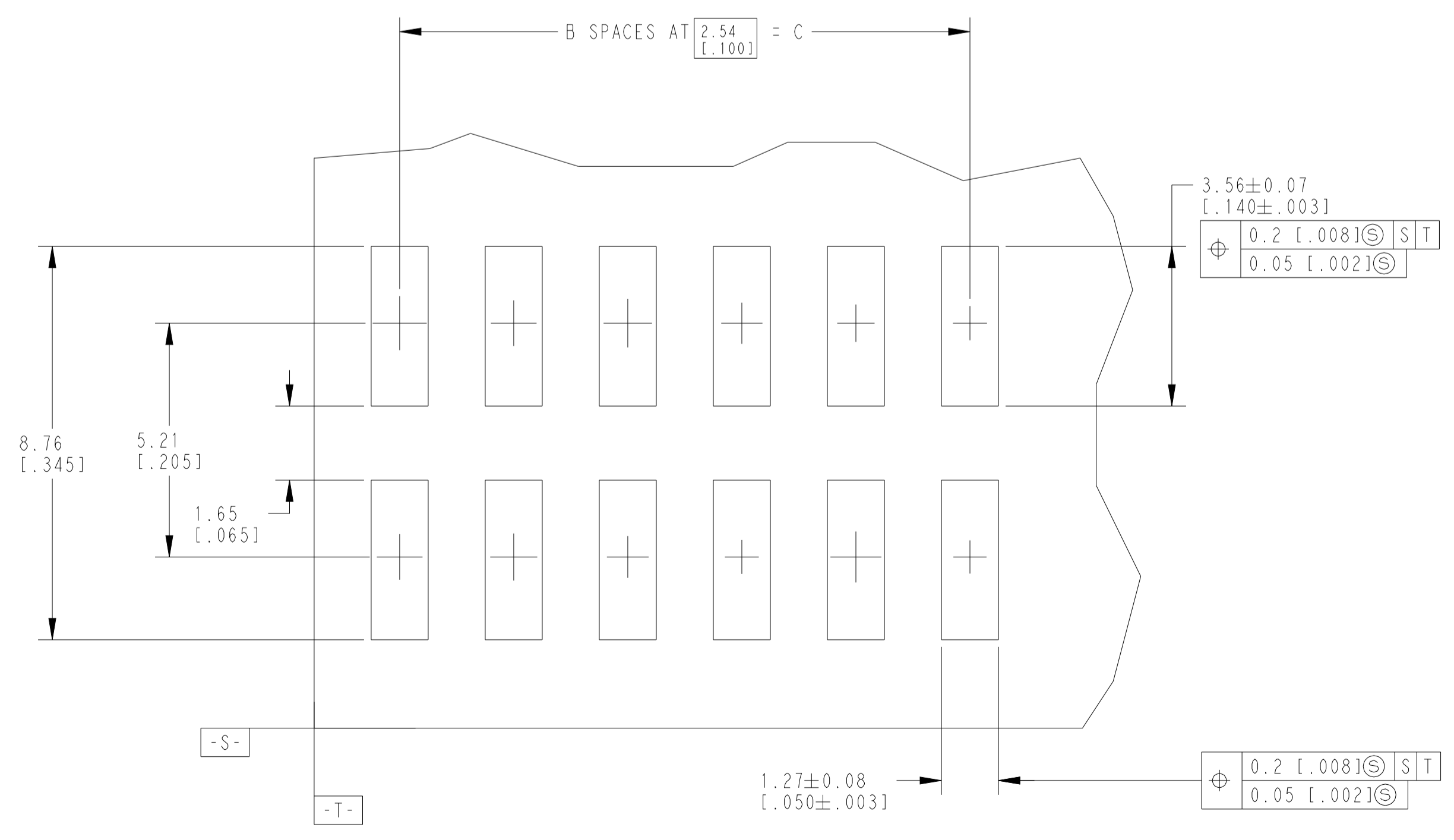
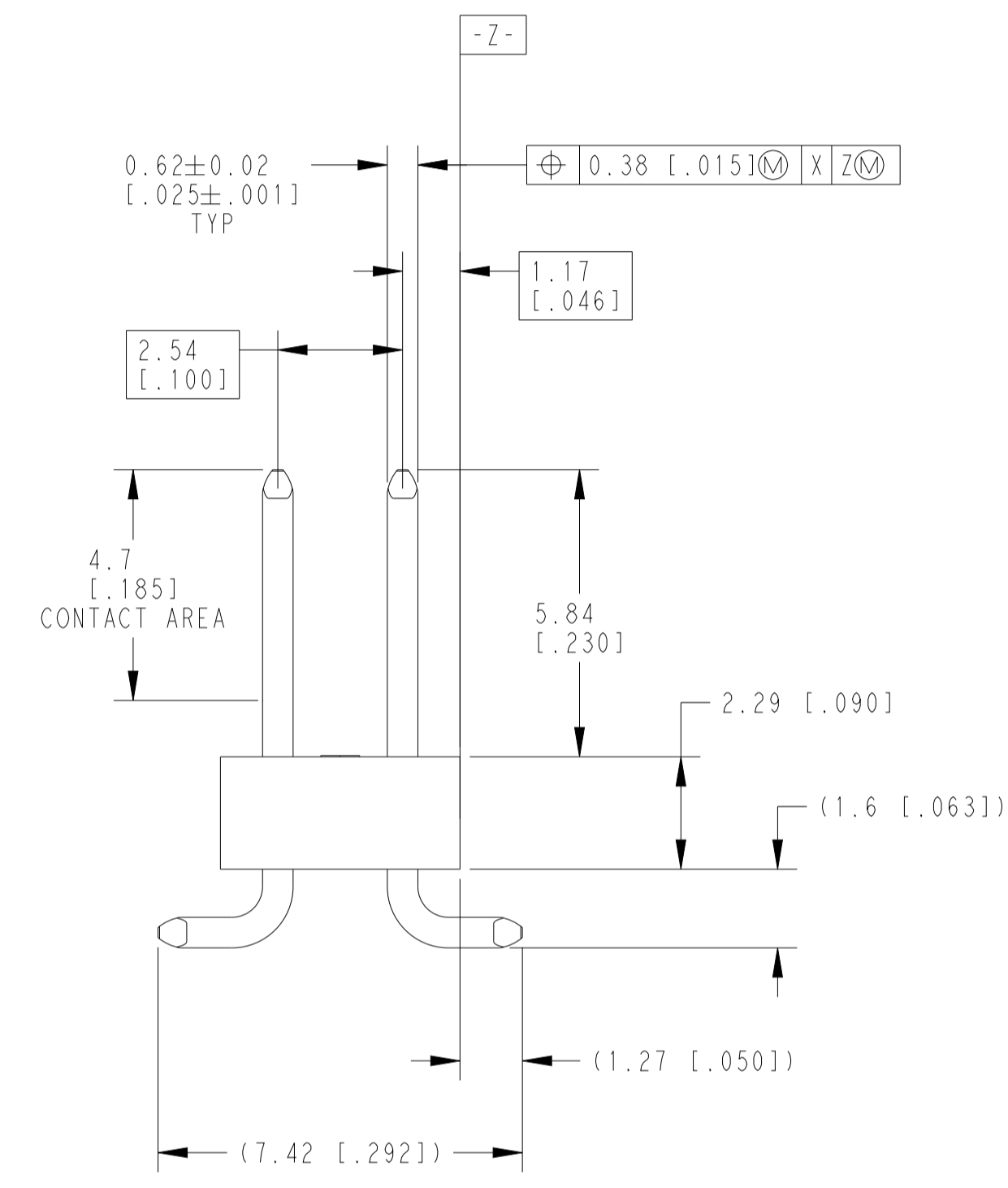
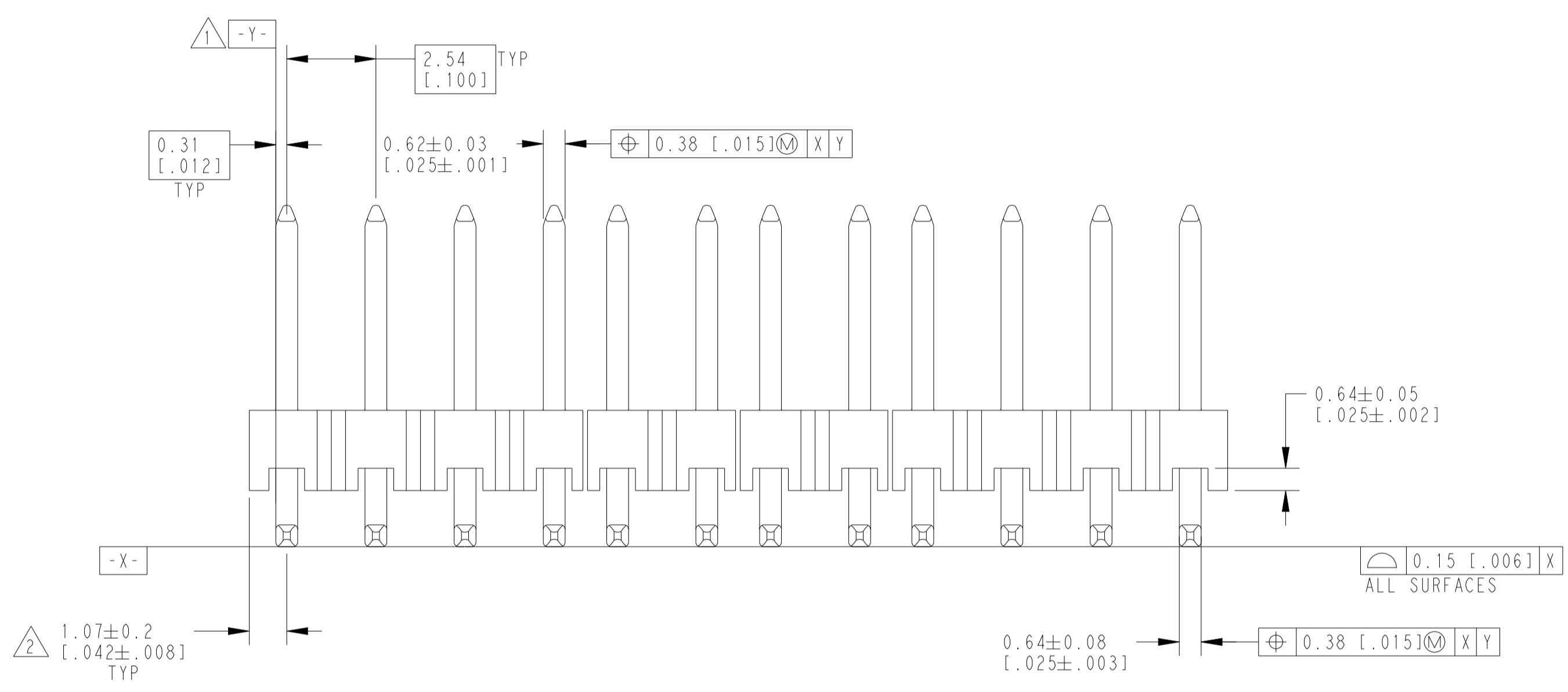
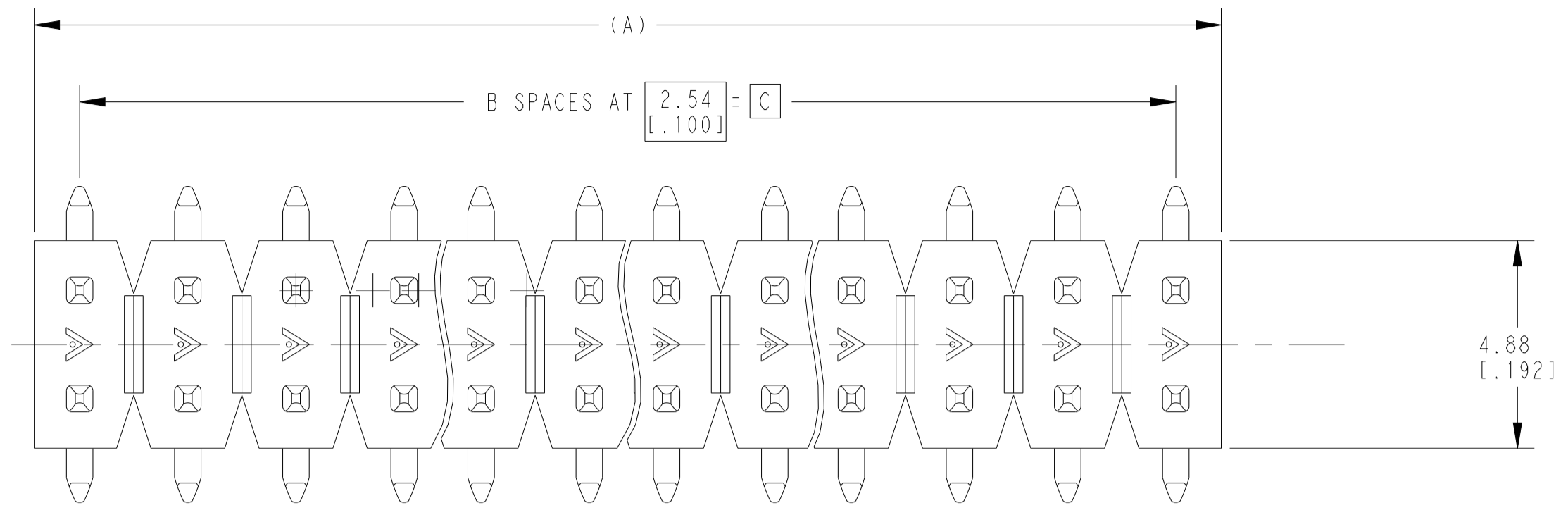


REVISIONS					
P	LTN	DESCRIPTION	DATE	DWN	APVD
M1		REVISED PER ECN-22-165406	20JUL2022	RK	MF
N		PLATING PLATING OPTIMIZATION (Au TO PdNi+Au FLASH)	05AUG2025	RS	GVP
N1		6-146130-5 REACTIVATION	21JAN2026	LS	CAS

- 1 NOTED DIMENSIONS APPLY AT THE INTERSECTION OF THE POST AND THE HOUSING.
- 2 THE NOTED DIMENSION APPLIES FROM THE BASIC DIMENSION (NOT THE POST CENTERLINE) TO THE SURFACE INDICATED.
- 3 0.000762[.000030] GOLD ON CONTACT AREA, 0.00254-0.00508[.000100 - .000200] MATTE TIN-LEAD ON SOLDER TAIL, ALL OVER 0.00127[.000050] NICKEL.
- 4 HOUSING: LCP, COLOR-BLACK.  
POSTS: COPPER ALLOY.
- 5 0.000661[.000026] PdNi+0.00010[.000004] Au FLASH ON CONTACT AREA  
0.00254-0.00508[.000100-.000200] MATTE TIN ON SOLDER TAIL, ALL OVER 0.00127[.000050] NICKEL.
- 6 PRELIMINARY PART - NOT RELEASED FOR PRODUCTION.
- 7 OBSOLETE PARTS: OBSOLETE CIS STREAMLINING PER D.RENAUD/D.SINISI



RECOMMENDED PCB LAYOUT FOR USE WITH 0.20[.008] THICK STENCIL

REV	DESCRIPTION	DATE	DWN	APVD	
1	99.06 [3.900]	39	101.19 [3.984]	80	6-146130-5
2	35.56 [1.400]	14	37.69 [1.484]	30	6-146130-4
3	33.02 [1.300]	13	35.15 [1.384]	28	6-146130-3
4	30.48 [1.200]	12	32.61 [1.284]	26	6-146130-2
5	27.94 [1.100]	11	30.07 [1.184]	24	6-146130-1
6	25.40 [1.000]	10	27.53 [1.084]	22	6-146130-0
7	22.86 [0.900]	9	24.99 [0.984]	20	5-146130-9
8	20.32 [0.800]	8	22.45 [0.884]	18	5-146130-8
9	17.78 [0.700]	7	19.91 [0.784]	16	5-146130-7
10	15.24 [0.600]	6	17.37 [0.684]	14	5-146130-6
11	12.70 [0.500]	5	14.83 [0.584]	12	5-146130-5
12	10.16 [0.400]	4	12.29 [0.484]	10	5-146130-4
13	7.62 [0.300]	3	9.75 [0.384]	8	5-146130-3
14	5.08 [0.200]	2	7.21 [0.284]	6	5-146130-2
15	2.54 [0.100]	1	4.67 [0.184]	4	5-146130-1
16	17.78 [0.700]	7	19.91 [0.784]	16	4-146130-8
17	5.08 [0.200]	2	7.21 [0.284]	6	4-146130-7
18	35.56 [1.400]	14	37.69 [1.484]	30	4-146130-4
19	33.02 [1.300]	13	35.15 [1.384]	28	4-146130-3
20	30.48 [1.200]	12	32.61 [1.284]	26	4-146130-2
21	27.94 [1.100]	11	30.07 [1.184]	24	4-146130-1
22	25.40 [1.000]	10	27.53 [1.084]	22	4-146130-0
23	22.86 [0.900]	9	24.99 [0.984]	20	4-146130-9
24	20.32 [0.800]	8	22.45 [0.884]	18	4-146130-8
25	17.78 [0.700]	7	19.91 [0.784]	16	4-146130-7
26	15.24 [0.600]	6	17.37 [0.684]	14	4-146130-6
27	12.70 [0.500]	5	14.83 [0.584]	12	4-146130-5
28	10.16 [0.400]	4	12.29 [0.484]	10	4-146130-4
29	7.62 [0.300]	3	9.75 [0.384]	8	4-146130-3
30	5.08 [0.200]	2	7.21 [0.284]	6	4-146130-2
31	2.54 [0.100]	1	4.67 [0.184]	4	4-146130-1
32	17.78 [0.700]	7	19.91 [0.784]	16	3-146130-8
33	5.08 [0.200]	2	7.21 [0.284]	6	3-146130-7
34	35.56 [1.400]	14	37.69 [1.484]	30	3-146130-4
35	33.02 [1.300]	13	35.15 [1.384]	28	3-146130-3
36	30.48 [1.200]	12	32.61 [1.284]	26	3-146130-2
37	27.94 [1.100]	11	30.07 [1.184]	24	3-146130-1
38	25.40 [1.000]	10	27.53 [1.084]	22	3-146130-0
39	22.86 [0.900]	9	24.99 [0.984]	20	3-146130-9
40	20.32 [0.800]	8	22.45 [0.884]	18	3-146130-8
41	17.78 [0.700]	7	19.91 [0.784]	16	3-146130-7
42	15.24 [0.600]	6	17.37 [0.684]	14	3-146130-6
43	12.70 [0.500]	5	14.83 [0.584]	12	3-146130-5
44	10.16 [0.400]	4	12.29 [0.484]	10	3-146130-4
45	7.62 [0.300]	3	9.75 [0.384]	8	3-146130-3
46	5.08 [0.200]	2	7.21 [0.284]	6	3-146130-2
47	2.54 [0.100]	1	4.67 [0.184]	4	3-146130-1

THIS DRAWING IS A CONTROLLED DOCUMENT.

DIMENSIONS: mm [INCHES]

TOLERANCES UNLESS OTHERWISE SPECIFIED:

0 PLC	±
1 PLC	±
2 PLC	±
3 PLC	±0.131(.005)
4 PLC	±
ANGLES	±
FINISH	±

MATERIAL: SEE TABLE

APPROVED: J. KNAUB 30-09-94, G. DUBNICZKI 30-09-94

NAME: SURFACE MOUNT HEADER ASSY, MOD 11, B/A, VERT, DR, .100 X.100 CL, .025 SQ.POST

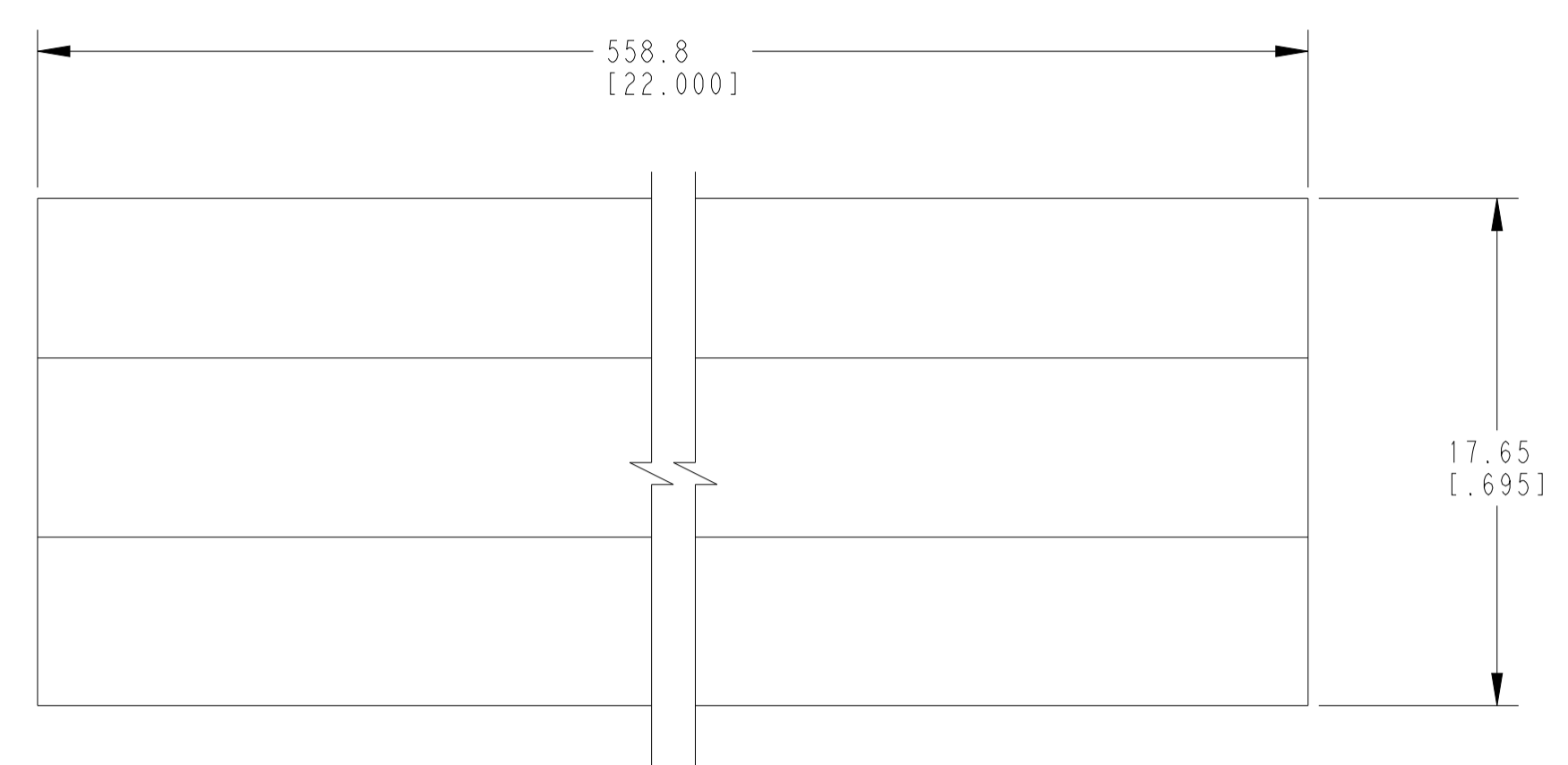
SIZE: A | CAGE CODE: 00779 | DRAWING NO: 146130 | SHEET 1 OF 2

SCALE: 8:1

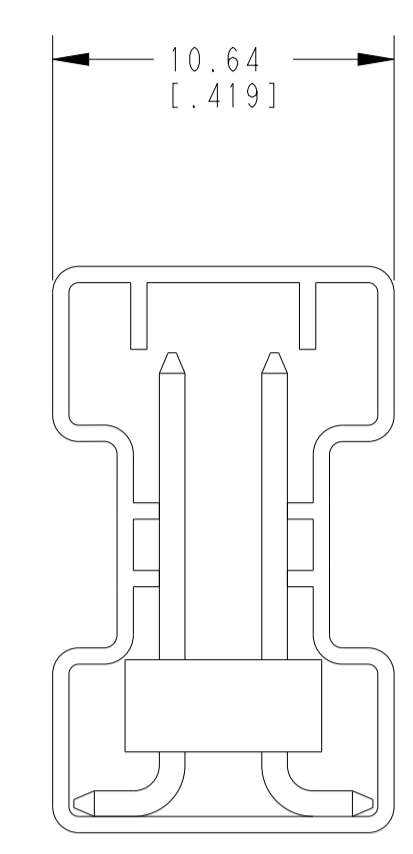
CUSTOMER DRAWING

REVISIONS				
P	LTN	DESCRIPTION	DATE	APVD
-	-	SEE SHEET 1	-	-

# TUBE



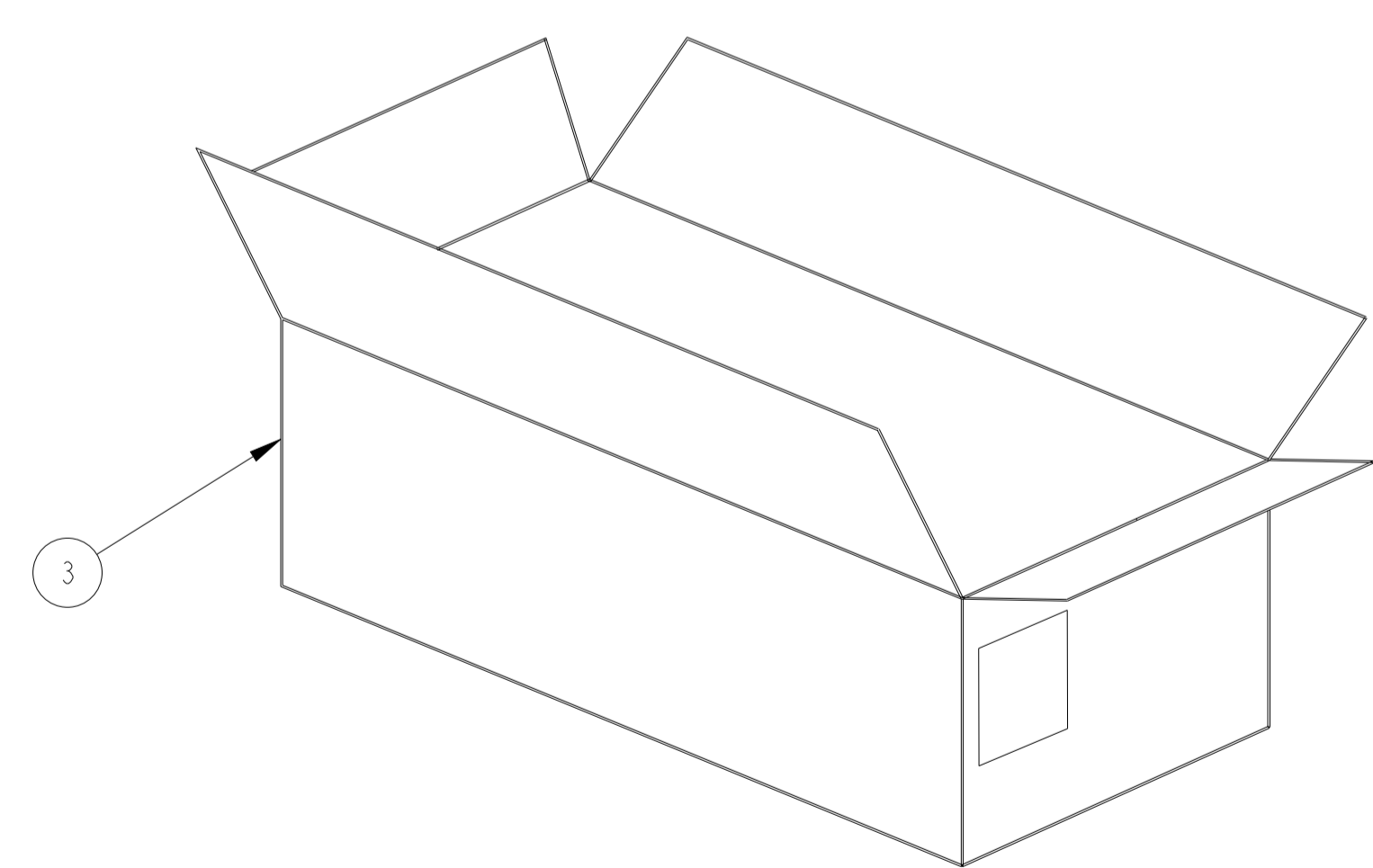
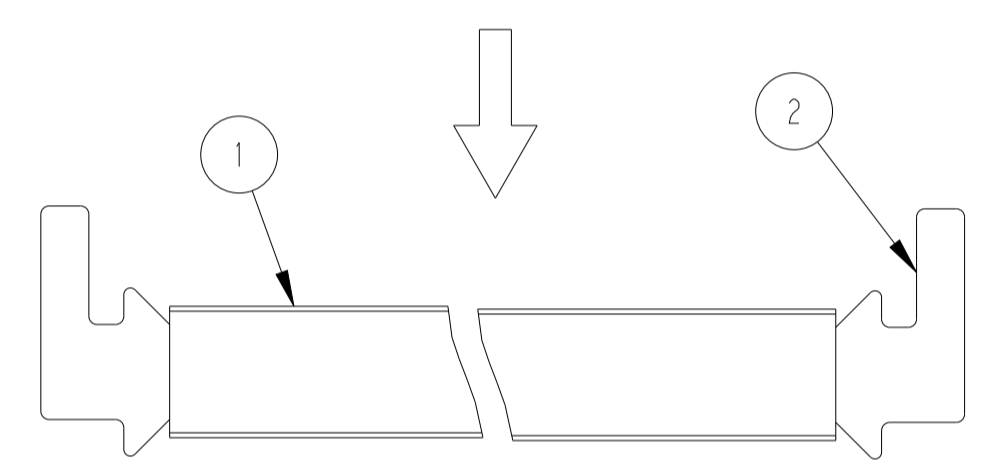
FRONT VIEW



SIDE VIEW

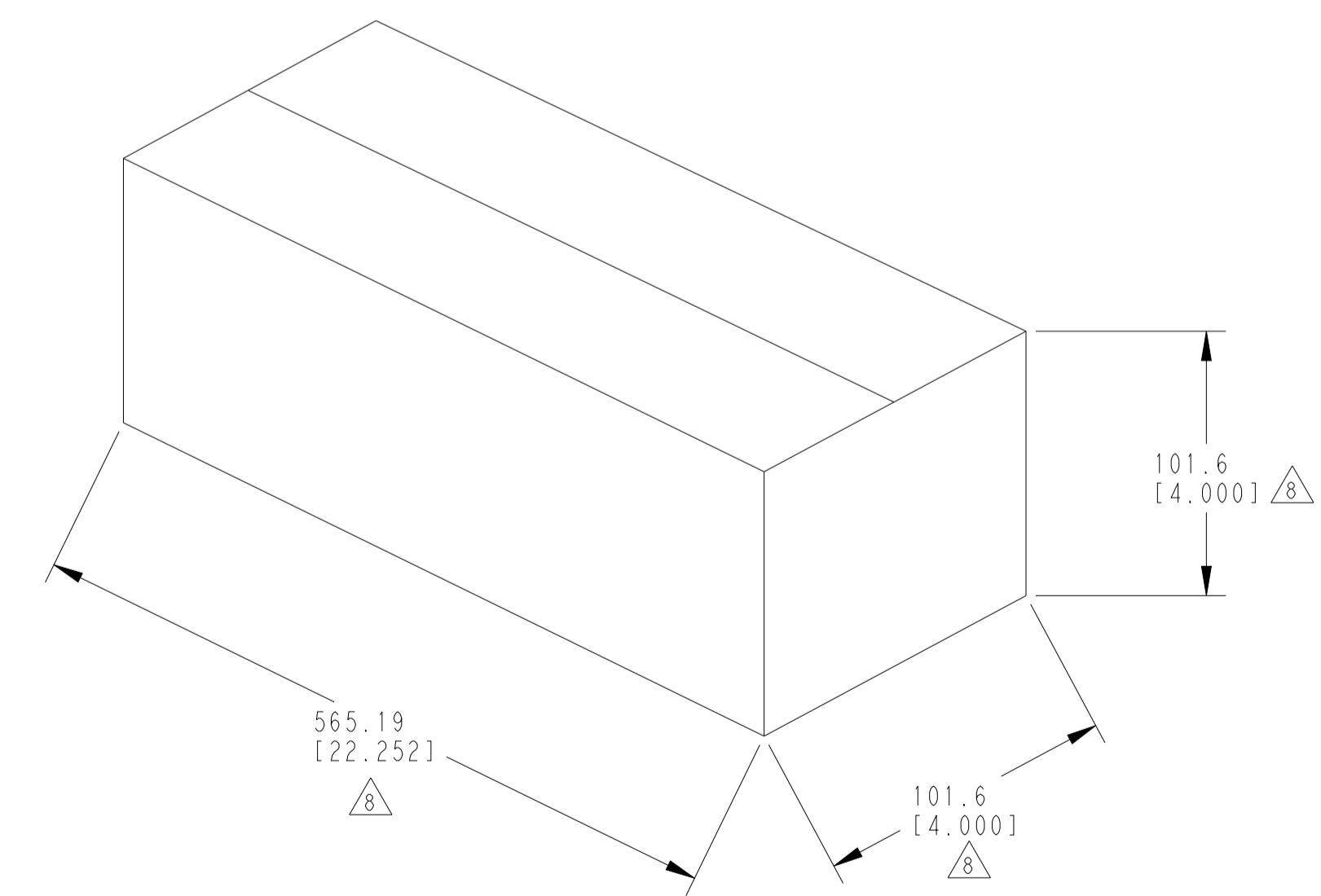
⚠ DIMENSIONS APPLIES TO INSIDE OF THE FINISHED BOX.  
 9 PLUGS ARE PLACED IN BOTH END OF THE TUBE

S NO	DESCRIPTION
1	TUBE
2	PLUG
3	SHIPPING BOX



# CARTON

PART NUMBER	PPQ (PCS PER TUBE)	APQ (PCS PER SHIPPING BOX)
5-146130-1	110	4,950
5-146130-2	72	3,240
5-146130-3	53	2,385
5-146130-4	42	1,890
5-146130-5	35	1,575
5-146130-6	30	1,350
5-146130-7	26	1,170
5-146130-8	23	1,035
5-146130-9	21	945
6-146130-0	19	855
6-146130-1	17	765
6-146130-2	16	720
6-146130-3	15	675
6-146130-4	14	630



THIS DRAWING IS A CONTROLLED DOCUMENT.

DIMENSIONS: mm [INCHES]	TOLERANCES UNLESS OTHERWISE SPECIFIED	0 PLC ± .13 (-005)	1 PLC ± .13 (-005)	2 PLC ± .13 (-005)	3 PLC ± .13 (-005)	4 PLC ± .13 (-005)	ANGLES ± .5°	FINISH SEE TABLE
MATERIAL	WEIGHT	CAGE CODE	DRAWING NO	SIZE	RESTRICTED TO			

APPROVALS:  
 DWG: J. KNAUB 30-09-94  
 CHK: G. DUBNICZKI 30-09-94  
 APVD: G. DUBNICZKI 30-09-94

NAME: SURFACE MOUNT HEADER ASSY, MOD II, B/A, VERT, DR, .100 X.100 CL, .025 SQ.POST

TE Connectivity

00779 C=146130

CUSTOMER DRAWING SCALE 8:1 SHEET 2 OF 2 REV N1