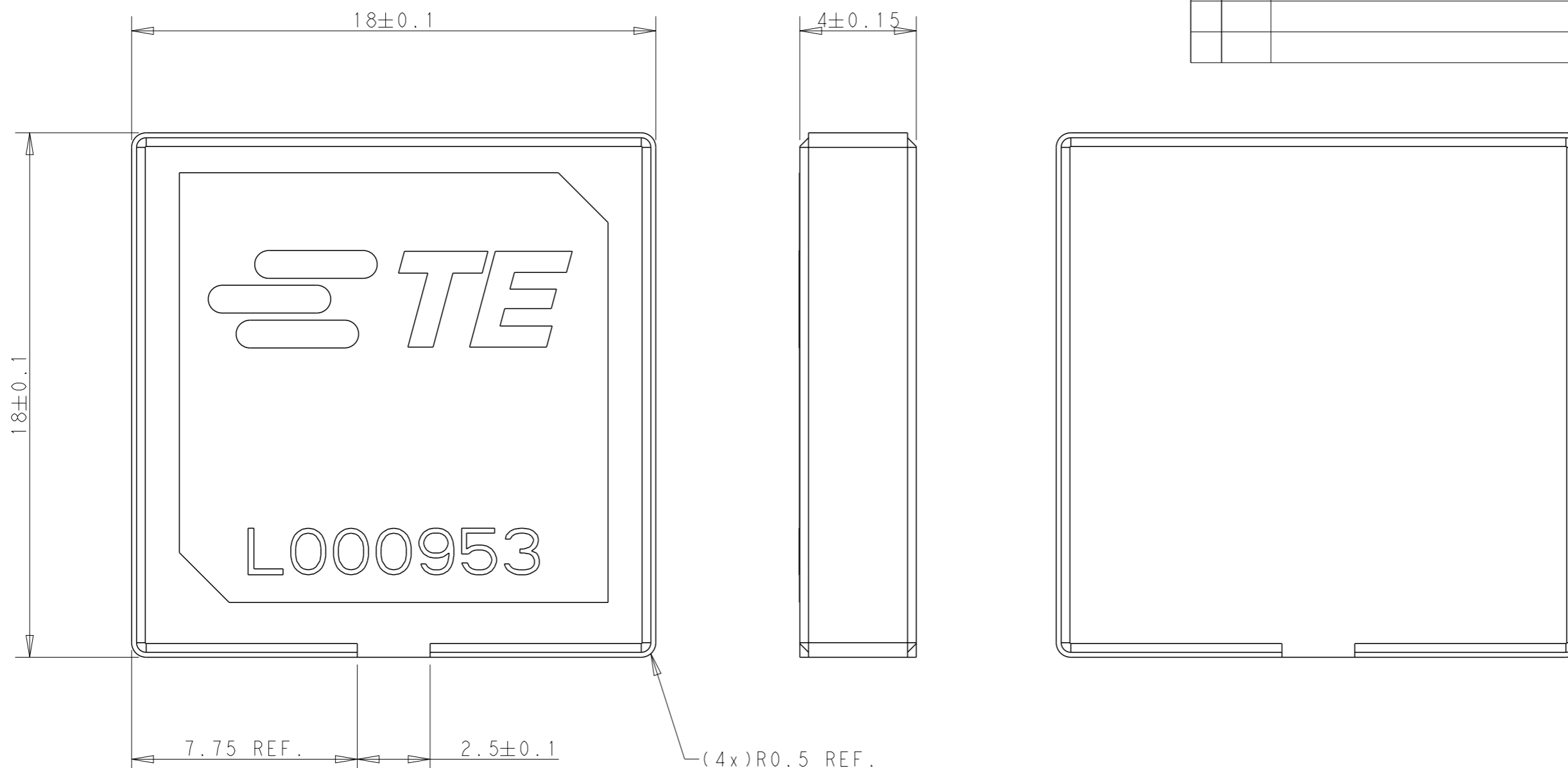


P	LTR	DESCRIPTION	DATE	DWN	APVD
	A	REVISED PER ECN-24-287474	07OCT2024	DW	VK
	A1	REVISED PER ECN-24-292456	07NOV2024	DW	VK



NOTES: UNLESS OTHERWISE SPECIFIED.

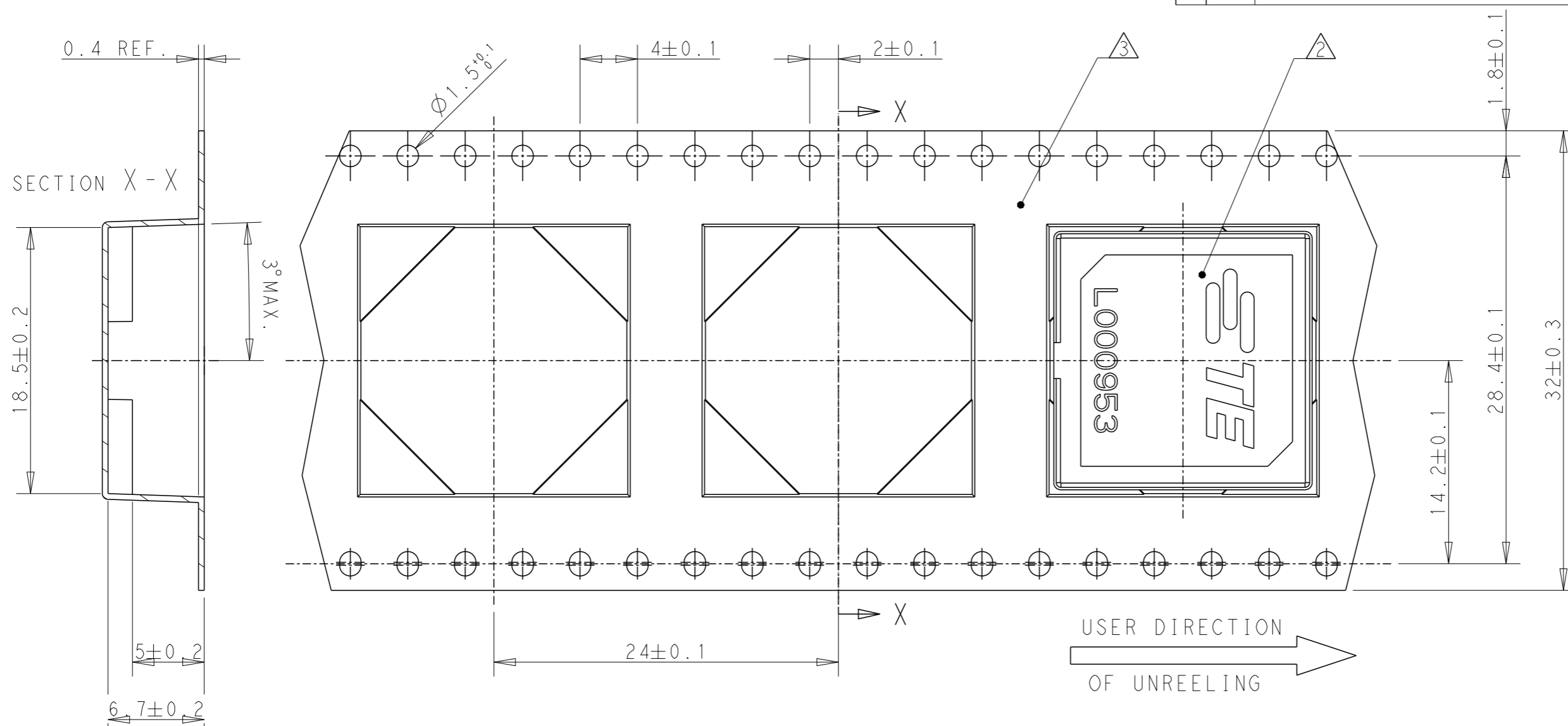
1. MATERIAL : CERAMIC
2. CONSULT TE CONNECTIVITY DATA SHEET : L000953
3. CONTACT TE CONNECTIVITY ENGINEERING PRIOR TO DESIGNIN INTO AN APPLICATION.
4. PACKAGING : TAPE AND REEL PACKAGED, SEE SHEET 2

TAPE AND REELED	L000953-01
PACKAGING	PART NUMBER

THIS DRAWING IS A CONTROLLED DOCUMENT.		DWN DW.PARK	08JUL2024	 TE Connectivity NAME Ceramic Patch Ant, 1575-1602MHz, 18x18x4			
DIMENSIONS: mm		CHK SJ.NOH	08JUL2024				
		APVD NG.WEITAT	08JUL2024				
TOLERANCES UNLESS OTHERWISE SPECIFIED:		PRODUCT SPEC					
0 PLC ±- 1 PLC ±- 2 PLC ±- 3 PLC ±- 4 PLC ±- ANGLES ±-		APPLICATION SPEC		RESTRICTED TO			
MATERIAL		WEIGHT		SIZE	CAGE CODE	DRAWING NO	
-		-		A3	00779	©-L000953	-
-		-		CUSTOMER DRAWING		SCALE	SHEET
-		-				6:1	1 OF 4
-		-					REV A1

AS SHOWN L000953-01
ANTENNA WITH REEL PACKAGING
REFERENCE ONLY

P	LTR	DESCRIPTION	DATE	DWN	APVD
		SEE SHEET 1			



NOTES.

1. UNLESS OTHERWISE SPECIFIED TOLERANCE PER EIA-481-D

2 ORIENT PARTS AS SHOWN.

3 MATERIAL : P.S 0.4mm THICKNESS, COLOR : BLACK, CONDUCTIVE
WHEN ALTERNATIVEMATERIAL (PET, P.P) USE, CONSULT ECO PRIOR TO MANUFACTURER.

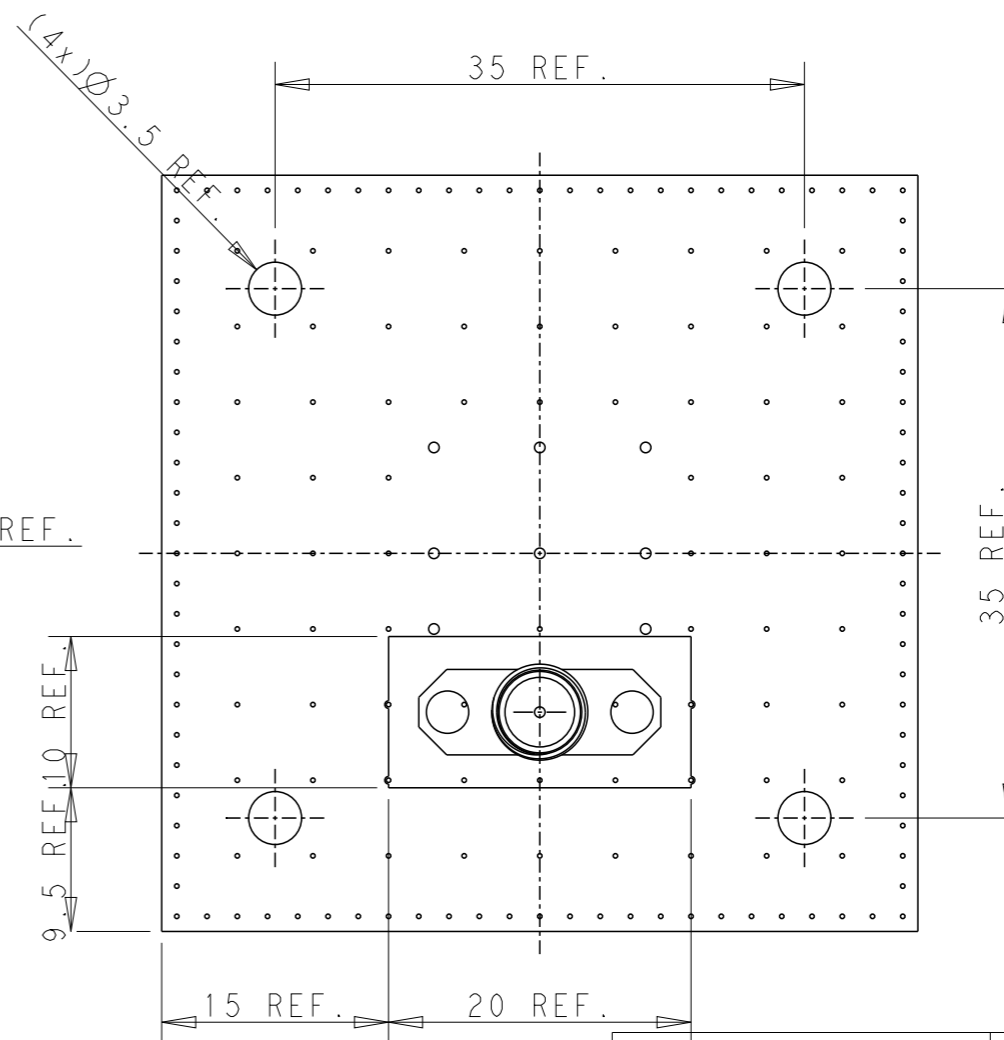
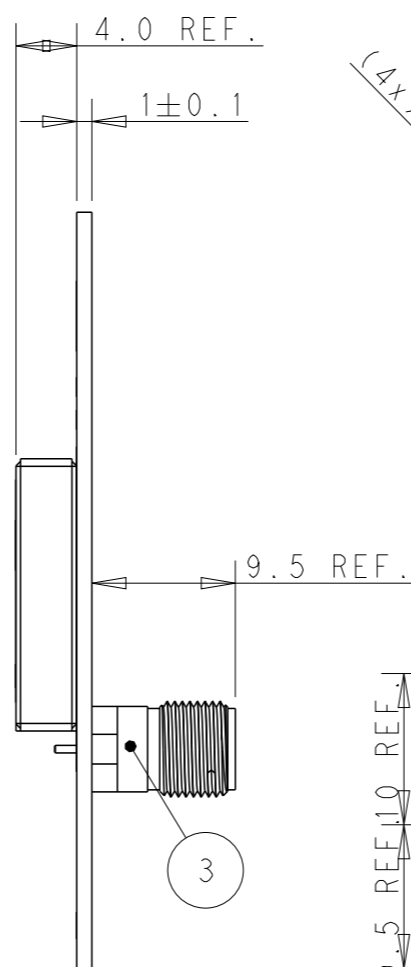
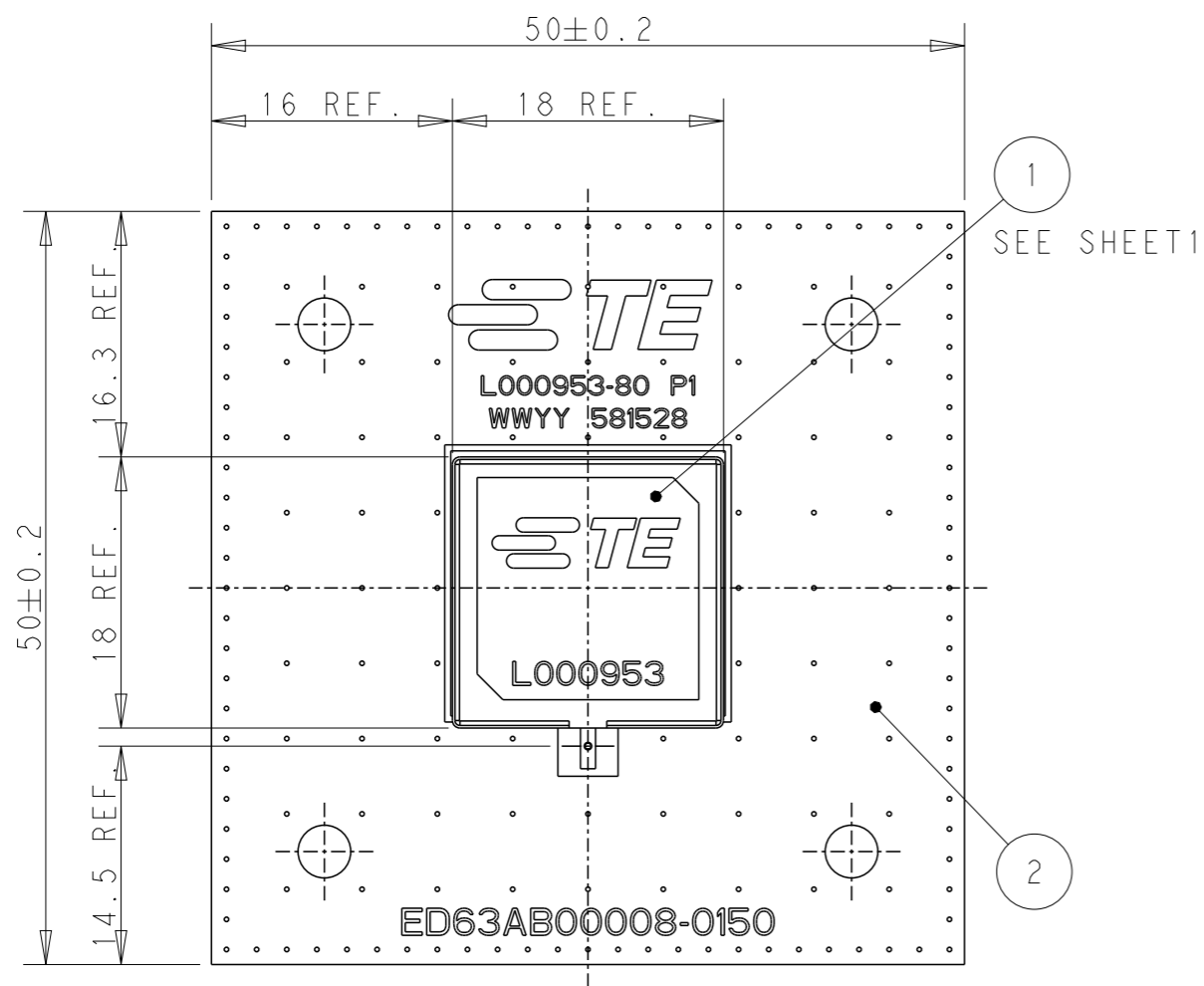
4. Q'TY/REEL : 150 PCS/REEL

THIS DRAWING IS A CONTROLLED DOCUMENT.		DWN DW.PARK 08JUL2024	TE Connectivity		
DIMENSIONS: mm		CHK SJ.NOH 08JUL2024			
TOLERANCES UNLESS OTHERWISE SPECIFIED:		APVD NG.WEITAT 08JUL2024	NAME Ceramic Patch Ant, 1575-1602MHz, 18x18x4		
0 PLC ±- 1 PLC ±- 2 PLC ±- 3 PLC ±- 4 PLC ±- ANGLES ±-		PRODUCT SPEC -	RESTRICTED TO -		
MATERIAL -		APPLICATION SPEC -	SIZE A3	CAGE CODE 00779	DRAWING NO C=L000953
FINISH -		WEIGHT -	SCALE 3:1 SHEET 2 OF 4 REV A1		
		CUSTOMER DRAWING			

ANTENNA WITH EVB ASS'Y

REVISIONS

P	LTR	DESCRIPTION	DATE	DWN	APVD
		SEE SHEET 1			



NOTES: UNLESS OTHERWISE SPECIFIED.

- MATERIAL : SEE TABLE.
- FINISH : EVB ASSEMBLY WITH SOLDER PROCESS

3. SILKSCREEN : WHITE EPOXY INK
 A. TE LOGO, TE P/N
 B. WORD REV., FOLLOWED BY THE LATEST REVISION, AS SHOWN/
 C. 4 DIGITS DATE CODE : FIRST 2 DIGITS FOR THE WEEK CODE AND THE 2ND TWO DIGITS FOR THE YEAR CODE.
 OTHERS : SPECIFIED TE SOURCE CODE NUMBER DIGITS AS REQUIRED.

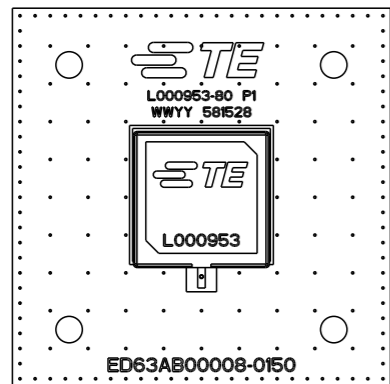
- CONSULTS TE CONNECTIVITY DATA SHEET L000953
- CONTACT TE CONNECTIVITY ENGINEERING PRIOR TO DESIGNING INTO AN APPLICATION.
- PACKAGING: SECURELY VACUUM PACKAGED IN BULK.

VACUUM IN BULK		L000953-80
PACKAGING		PART NUMBER
1	SMA FEMALE CONNECTOR	3
1	EVB	2
1	L000953-01 ANTENNA	1
Q'TY (PC)	DESCRIPTION	ITEM

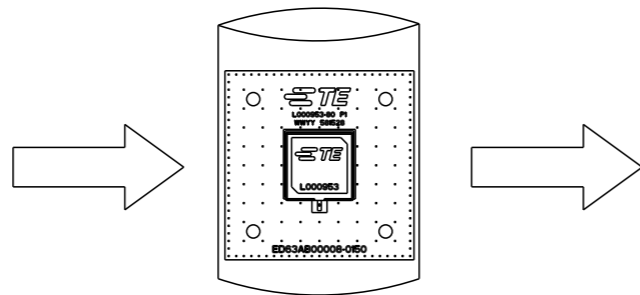
THIS DRAWING IS A CONTROLLED DOCUMENT.		DWN DW.PARK 08JUL2024	TE Connectivity NAME Ceramic Patch Ant, 1575-1602MHz, 18x18x4	
DIMENSIONS: mm		CHK SJ.NOH 08JUL2024		
TOLERANCES UNLESS OTHERWISE SPECIFIED:		APVD NG.WEITAT 08JUL2024		
0 PLC ±- 1 PLC ±- 2 PLC ±- 3 PLC ±- 4 PLC ±- ANGLES ±-		PRODUCT SPEC -		
MATERIAL -		FINISH -	APPLICATION SPEC -	SIZE A3
			WEIGHT -	CAGE CODE 00779
				DRAWING NO L000953
				RESTRICTED TO -
				SCALE 2:1 SHEET 3 OF 4 REV A1

P	LTR	DESCRIPTION	DATE	DWN	APVD
		SEE SHEET 1			

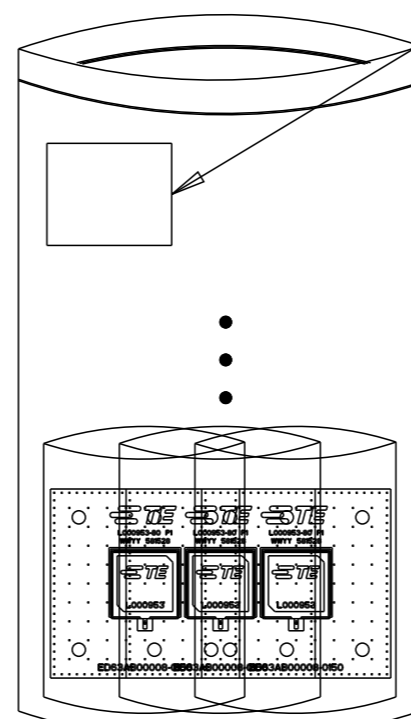
PACKAGING SPECIFICATIONS FOR REFERENCE



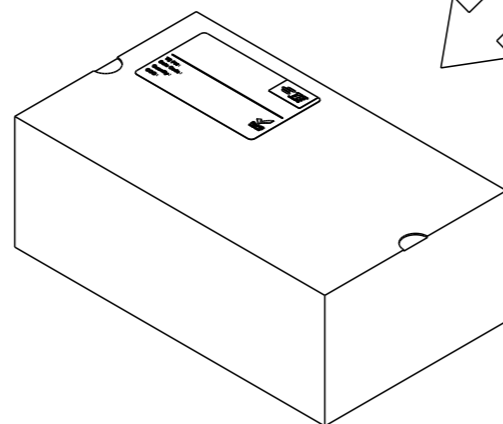
ANTENNA WITH EVB ASS'Y



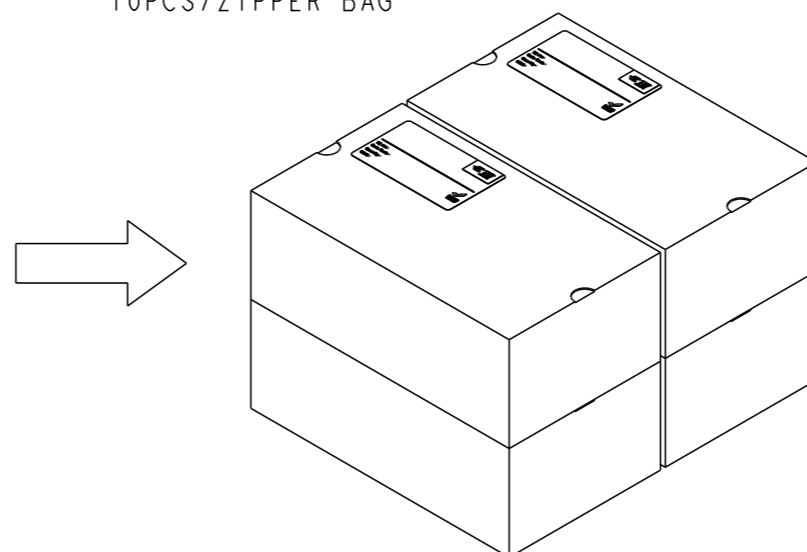
IPC/BAG
DRYING AGENT : IPC/BAG



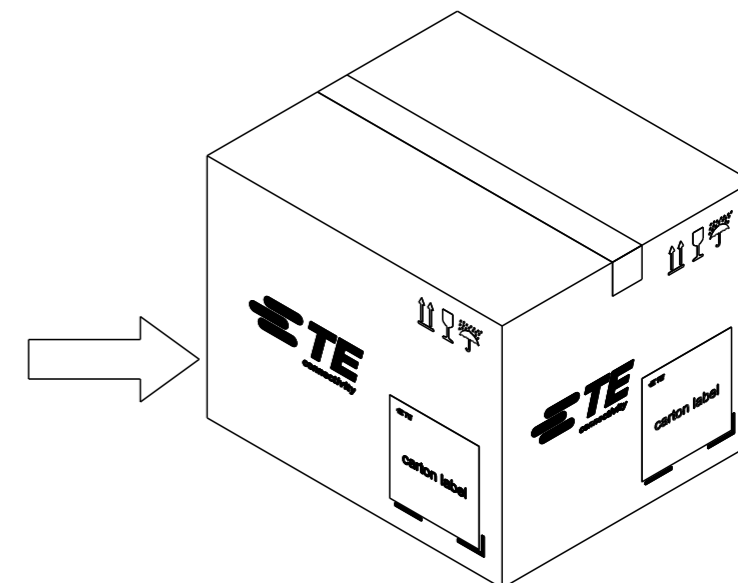
10PCS/ZIPPER BAG



4 ZIPPER BAGS/BOX
40PCS/BOX
BOX SIZE : 154x263x96(MM)



4 BOXES



4 BOXES/CARTON
160PCS/CARTON
SIZE : 330x280x254(MM)

THIS DRAWING IS A CONTROLLED DOCUMENT.		DWN DW.PARK	08JUL2024	TE Connectivity NAME Ceramic Patch Ant, 1575-1602MHz, 18x18x4	
DIMENSIONS: mm		CHK SJ.NOH	08JUL2024		
TOLERANCES UNLESS OTHERWISE SPECIFIED:		APVD NG.WEITAT	08JUL2024		
0 PLC ±- 1 PLC ±- 2 PLC ±- 3 PLC ±- 4 PLC ±- ANGLES ±-		PRODUCT SPEC	-		
MATERIAL		FINISH	-	APPLICATION SPEC	-
-		-	-	WEIGHT	-
-		-	-	CUSTOMER DRAWING	-
		SIZE	A3	CAGE CODE	00779
		DRAWING NO	C=L000953		RESTRICTED TO
		SCALE	1:1	SHEET	4 OF 4
		REV	A1		