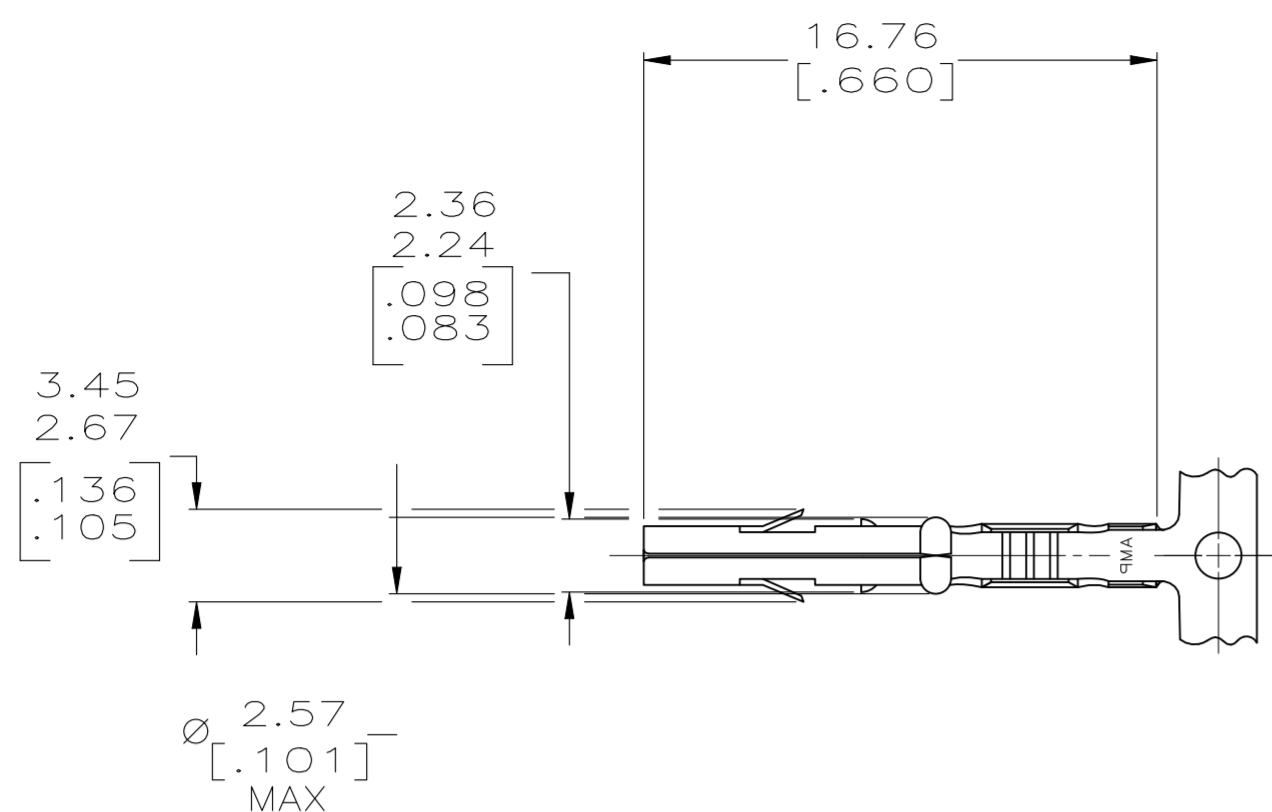
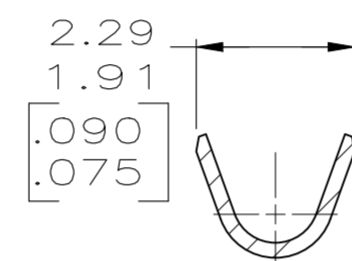
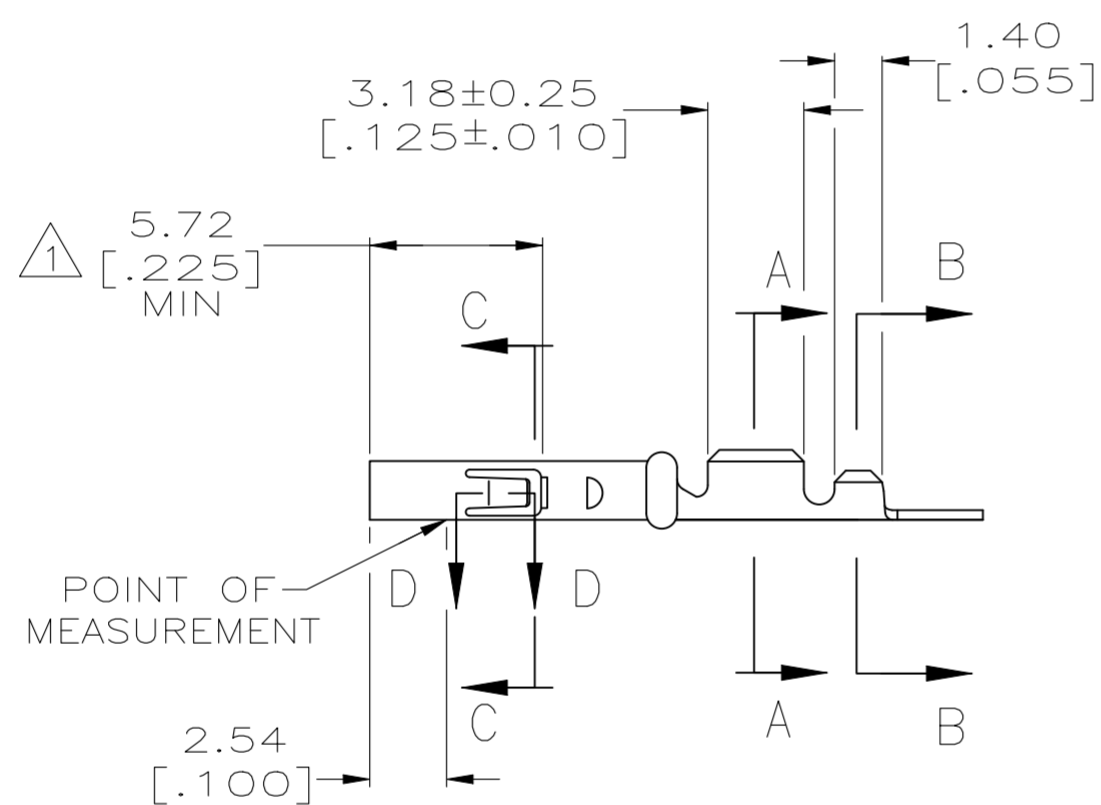


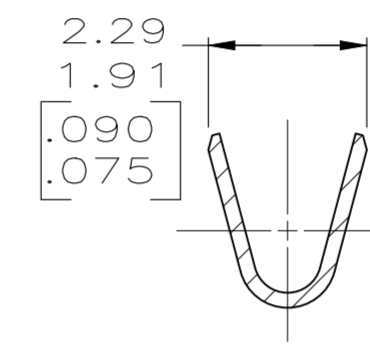
REVISIONS				
P	LTR	DESCRIPTION	DATE	APVD
A		REVISED PER ECR-24-213594	05JUL2024	RK FJS



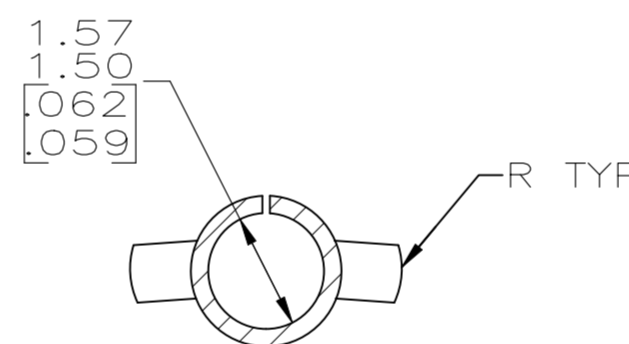
- 1. PLATED INTERNALLY WITH 0.00076 [.000030] PRECIOUS METAL PLATE, GOLD FLASH ON THE REMAINDER, OVER 0.00127 [.000050] NICKEL.
- 2. THIS CONTACT MATES WITH MR LIVE SPLIT PIN ONLY.
- 3. DIMENSIONS IN BRACKETS ARE IN INCHES.



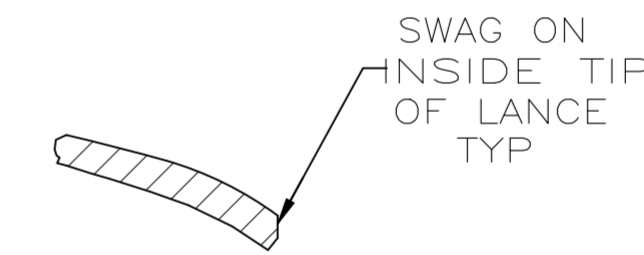
SECTION A-A SCALE 10:1



SECTION B-B SCALE 10:1



SECTION C-C SCALE 10:1



SECTION D-D SCALE 10:1

METRIC

1 PRECIOUS METAL	0.20 [.008] PH BRZ	794000-2
PRE-TIN	0.20 [.008] PH BRZ	794000-1
FINISH	DESCRIPTION	PART NO.

THIS DRAWING IS A CONTROLLED DOCUMENT.		DWN	K. SALMON	3-4-93	TE TE Connectivity		
DIMENSIONS: mm [INCHES]		CHK	R. SWING	3-4-93			
TOLERANCES UNLESS OTHERWISE SPECIFIED:		APVD	J. ANDREW	3-4-93			
0 PLC ± -		PRODUCT SPEC					
1 PLC ± -		APPLICATION SPEC			NAME	RECEPTACLE, MR	
2 PLC ± 0.13 [.005]					SIZE	A2	
3 PLC ± -					CAGE CODE	00779	
4 PLC ± -					DRAWING NO	C=794000	
ANGLES ± -					RESTRICTED TO	-	
MATERIAL	SEE TABLE	FINISH	SEE TABLE	WEIGHT	-		
CUSTOMER DRAWING				SCALE	4:1	SHEET	1 of 1
				REV	A		