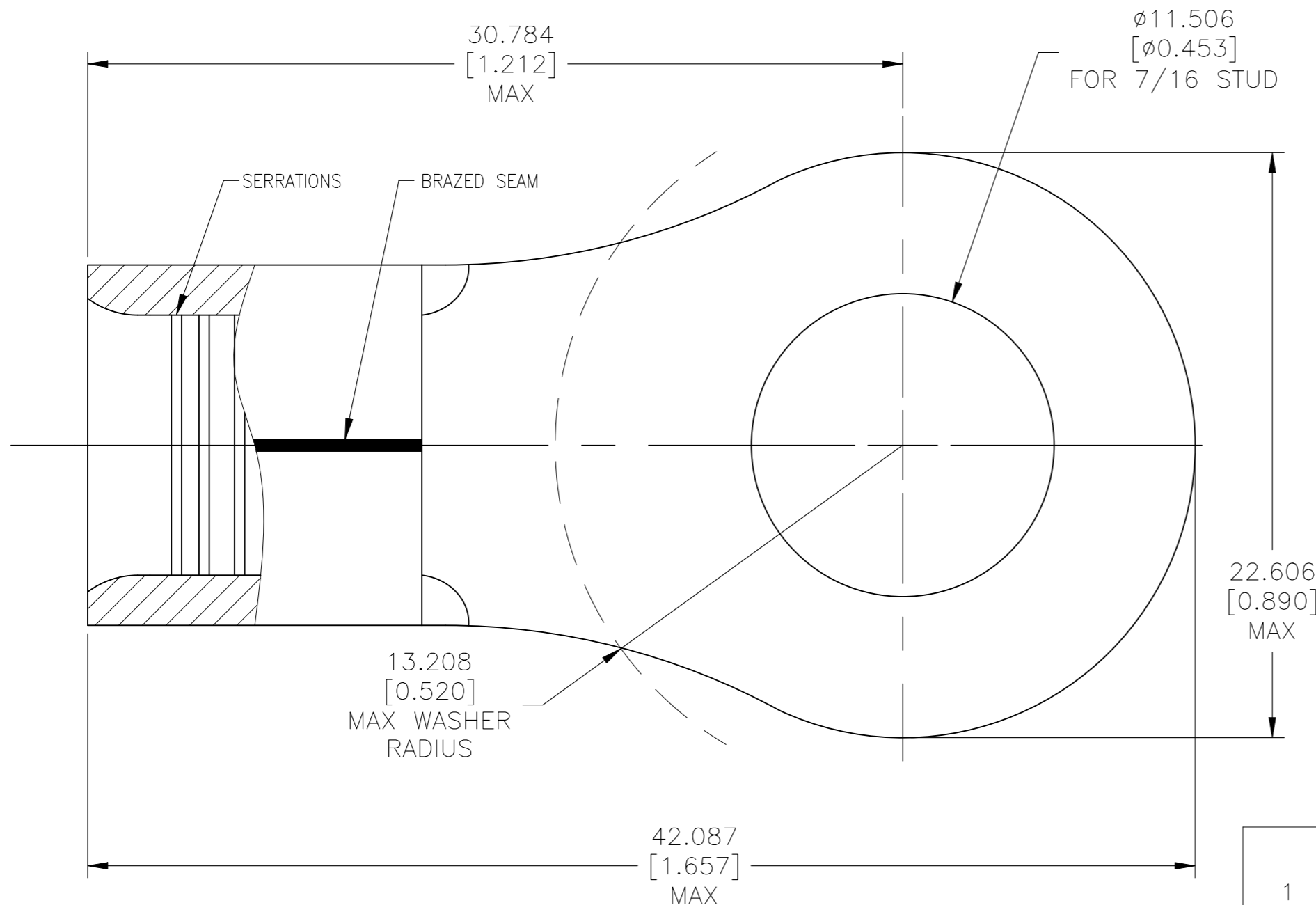


REVISIONS

P	LTR	DESCRIPTION	DATE	DWN	APVD
	C	REVISED PER ECN-25-354023	18NOV2025	SN	MM

- 1 WIRE RANGE IS FOR 2 AWG STANDARD WIRE CROSS SECTIONAL AREA RANGE: 52,600-83,700 CMA, STRANDED WIRE.
 - 2 TERMINAL BODY MATERIAL THK IS 1.778±0.076[0.070±0.003].
 - 3 RECOMMENDED OPERATING TEMP -65°C [-85°F] TO +200°C [392°F] FOR HEAT SHRINK TUBING
 - 4 HEAT SHRINK TUBING SHELF LIFE OF 144 MONTHS FROM DATE CODE ON LABEL
- △ 5 TERMINAL BODY PRODUCT SPECIFICATION 108-32046. APPLICATION SPECIFICATION 114-2162.



QTY	PART NO	DESCRIPTION
1	1-1196717-9	HIGH AND LOW TEMPERATURE CROSS LINKED FLUOROPOLYMER HEAT SHRINK TUBING 15.88[0.625]MIN IDX38.10±2.03[1.50±0.08] RT555-5/8-0-SP
1	320741-1	TERMINAL BODY: COPPER PER ASTM B152 ANNEALED FINISH: NICKEL PLATE 0.00762 [0.000300] MIN EXT THK PER SAE AMS QQ-N-290

THIS DRAWING IS A CONTROLLED DOCUMENT.		DWN JR RUTH 08DEC09	STE TE Connectivity	
		CHK TOM MICHIELUTTI 08DEC09		
DIMENSIONS: mm [INCHES]		TOLERANCES UNLESS OTHERWISE SPECIFIED:		APVD TOM MICHIELUTTI 08DEC09
		0 PLC ± -	NAME -	
		1 PLC ± -		
		2 PLC ± -	HEAT RESISTANT TERMINAL KIT, WIRE SIZE: 2 AWG	
		3 PLC ± 0.127 [0.005]		
MATERIAL SEE TABLE		4 PLC ± -	SIZE A3	
		ANGLES ± 1°		
FINISH SEE TABLE		WEIGHT -	CAGE CODE 00779	DRAWING NO C-696645
CUSTOMER DRAWING		SCALE 5:1		SHEET 1 OF 1
				REV C