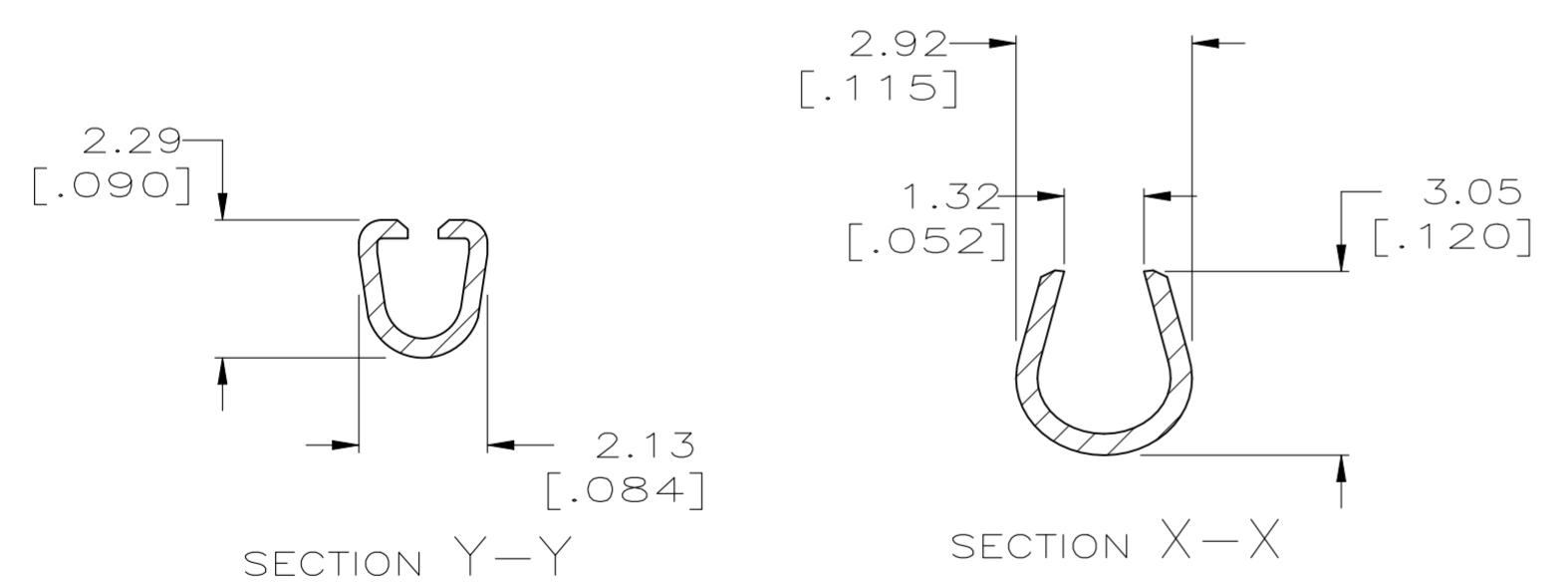
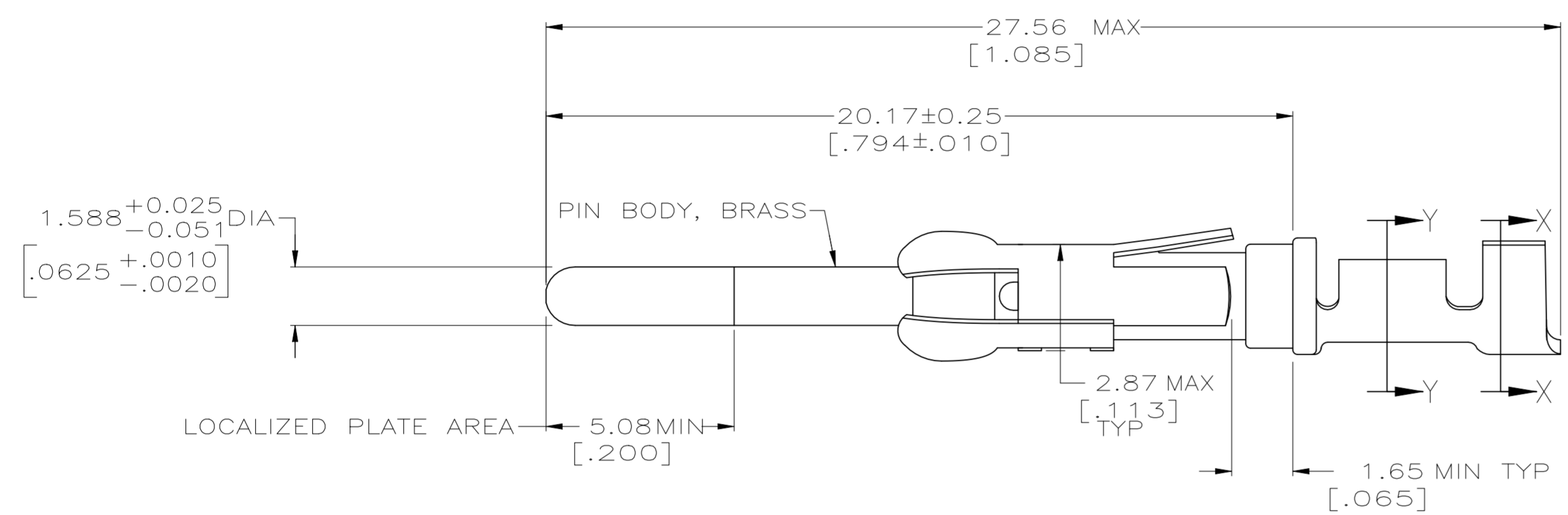
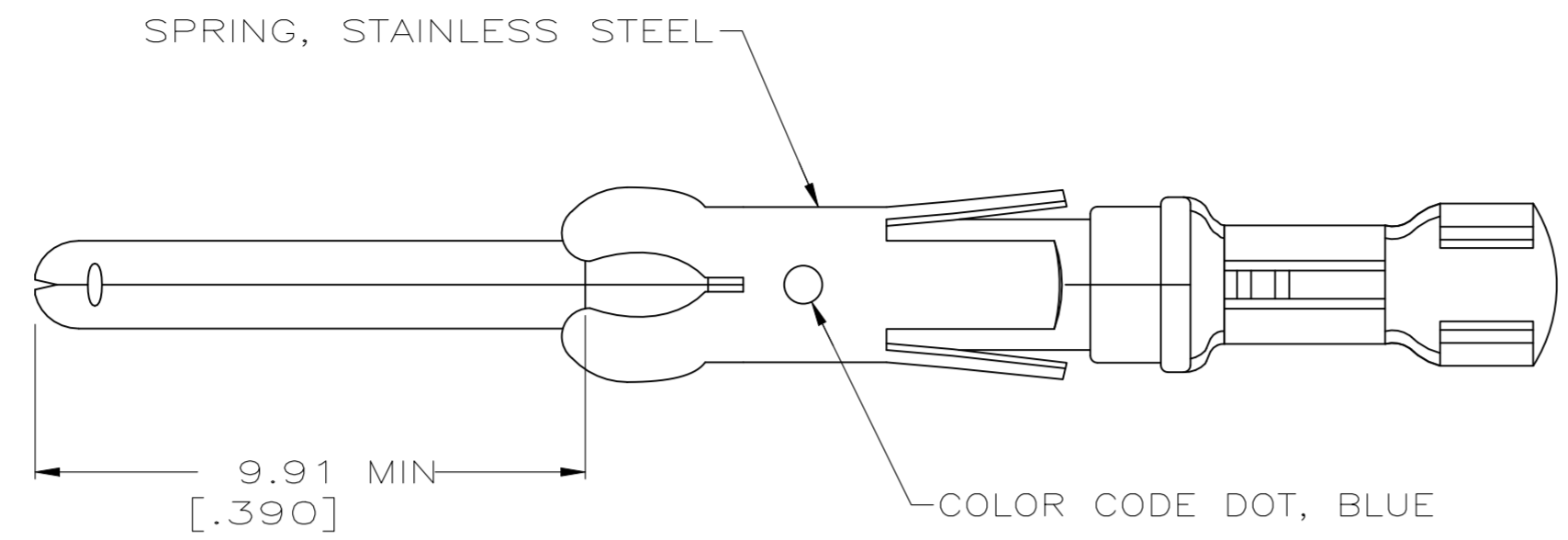


REVISIONS				
P	LTR	DESCRIPTION	DATE	APVD
M		REVISED PER ECR-24-213591	05JUL2024	RK FJS



1. WIRE RANGE 18-16 AWG.

2. PIN BODY: 0.76µm [.000030] MIN PRECIOUS METAL PLATE IN LOCALIZE PLATE AREA, 0.25µm [.000010] MIN GOLD ON REMAINDER OVER 1.27µm [.000050] MIN NICKEL CONFORMS TO THE REQUIREMENTS OF TE PRODUCT SPEC 108-10042, BASED ON EIA-364-1000.01 (CONTROLLED ENVIRONMENT APPLICATIONS).

SMALL PACK	66180-3
STANDARD	66180-1
PACKAGING TYPE	PART NO

THIS DRAWING IS A CONTROLLED DOCUMENT.		DWN 9-27-90 H MOLL		
DIMENSIONS: mm [INCHES]		CHK 12-15-90 J.McCLINTON		
TOLERANCES UNLESS OTHERWISE SPECIFIED:		APVD 12-10-90 A.BOUILLIANNE	NAME PIN ASSEMBLY, LOOSE PIECE, TYPE III+	
0 PLC ± -		PRODUCT SPEC	SIZE CAGE CODE DRAWING NO RESTRICTED TO	
1 PLC ± -		APPLICATION SPEC	A2 00779 C-66180	
2 PLC ± 0.13 [.005]		WEIGHT	SCALE 8:1 SHEET 1 OF 1 REV M	
3 PLC ± -		FINISH		
4 PLC ± -				
ANGLES ± -				
MATERIAL SEE CALL OUT				