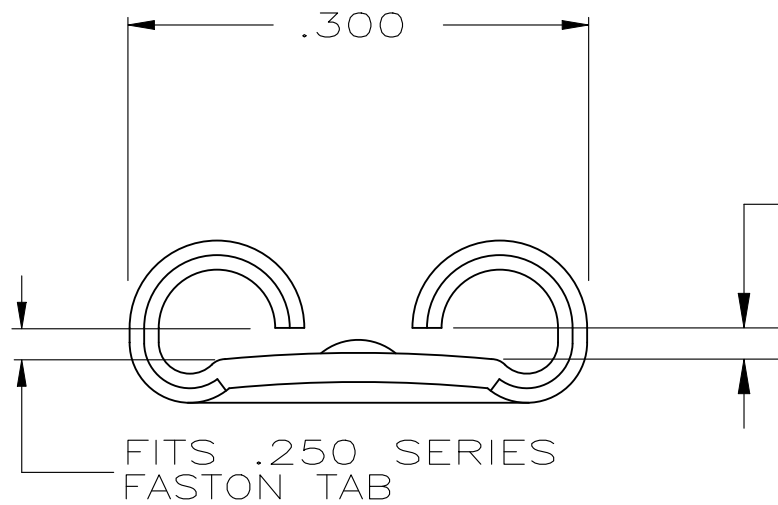
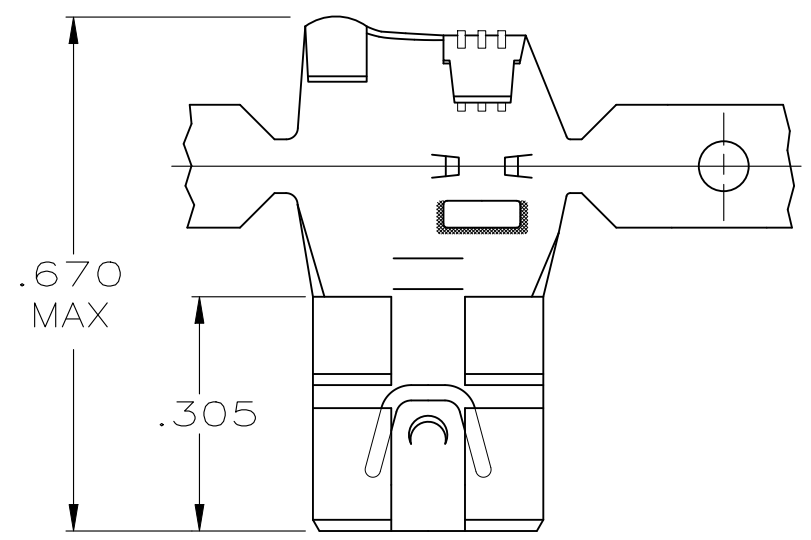


THIS DRAWING IS UNPUBLISHED. RELEASED FOR PUBLICATION
 © COPYRIGHT - By - ALL RIGHTS RESERVED.

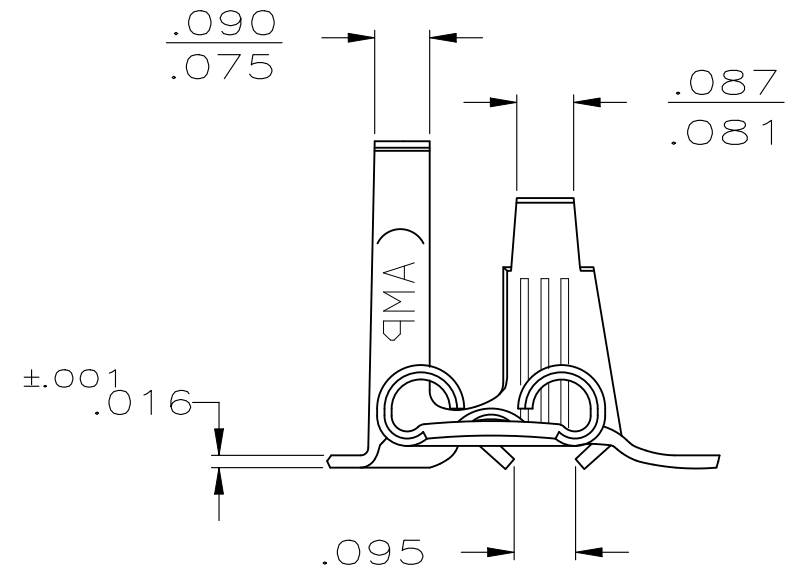
LOC		DIST		REVISIONS					
AF		50		P	LTR	DESCRIPTION	DATE	DWN	APVD
					R2	REVISED PER ECR-24-228741	13-11-25	AG	RE



FITS .250 SERIES FASTON TAB

VIEW A-A

- 1 CONTINUOUS STRIP ON REELS.
- 2 STRESS RELIEVE THIS PART
- 3 THIS PART MUST MATE TO A TAB WITH A HOLE, NOT A DIMPLE.



OBSOLETE	-	.110-.210	18-12	.033-.030	63445-5
	TIN	.110-.210	18-12	.033-.030	63445-4
OBSOLETE	SILVER	.110-.210	18-12	.032	63445-3
	TIN	.110-.210	18-12	.033-.030	63445-2
	-	.110-.210	18-12	.033-.030	63445-1
	FINISH	INSULATION RANGE	WIRE SIZE	MATING TAB THK	PART NO

THIS DRAWING IS A CONTROLLED DOCUMENT.		DWN	JR RUTH	7/10/86	STE TE Connectivity		
DIMENSIONS: INCHES		CHK	G YETTER	7/11/86			
TOLERANCES UNLESS OTHERWISE SPECIFIED:		APVD	C MEYERS	7/11/86	NAME		
0 PLC ± -		PRODUCT SPEC		.250 SERIES FLAG FASTON RECEPTACLE			
1 PLC ± -		APPLICATION SPEC		-			
2 PLC ± -		SIZE	A3	CAGE CODE	00779	DRAWING NO	C-63445
3 PLC ± .010		WEIGHT		RESTRICTED TO		-	
4 PLC ± -		CUSTOMER DRAWING					
ANGLES ± -		SCALE		4:1		SHEET 1 OF 1	
FINISH -		REV		R2			