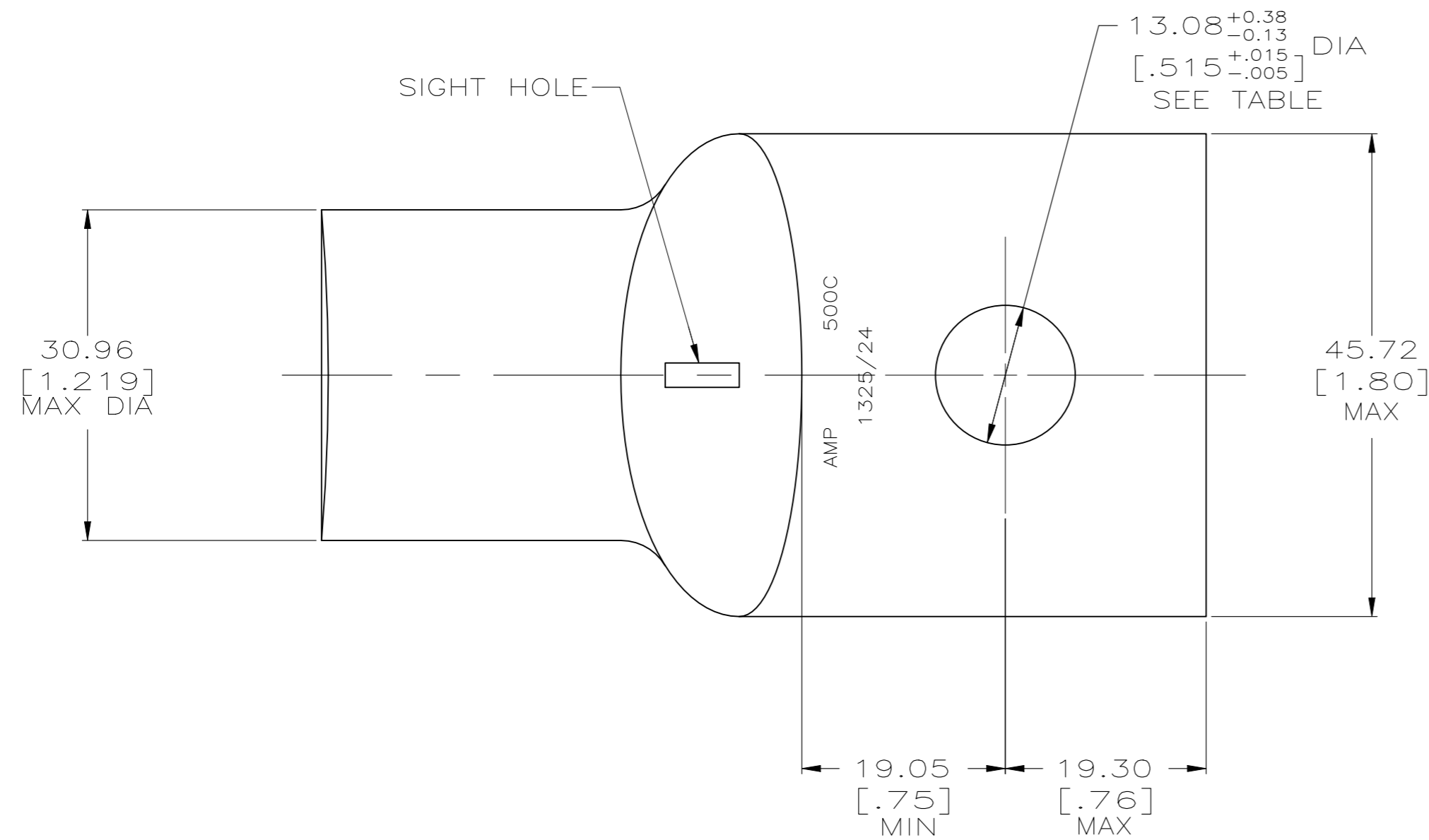
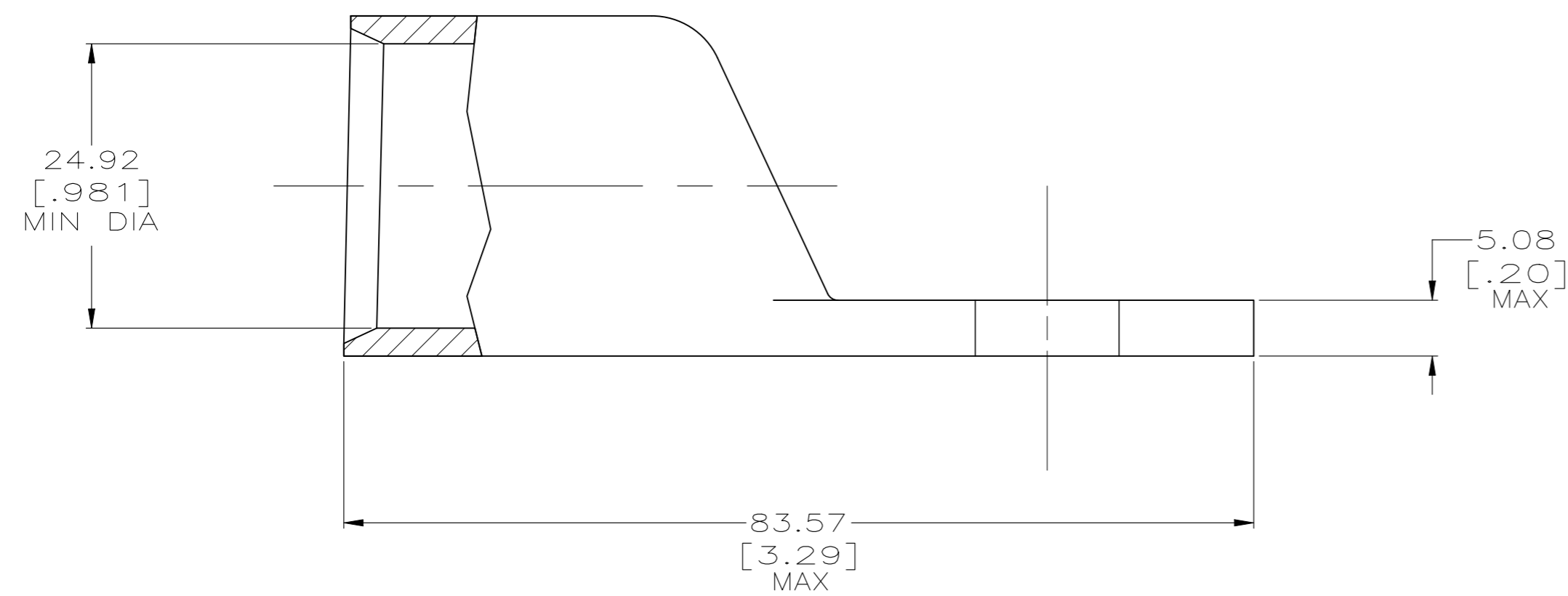


REVISIONS				
P	LTR	DESCRIPTION	DATE	APVD
S2		ECR-25-258063	07OCT2025	LP MFP



- 1 CIRCULAR MIL RANGE: 450-550 MCM
- 2 MATTE TIN PLATE 0.00381 [.000150] MIN THK PER ASTM B545



OBSOLETE	NONE	326105-3
	REQ'D	326105
	SIGHT HOLE	PART NO



THIS DRAWING IS A CONTROLLED DOCUMENT.		DWN	DK_SCHRUM	11/22/91
DIMENSIONS:		CHK	AJ KAUFMAN	11/25/91
mm [INCHES]	TOLERANCES UNLESS OTHERWISE SPECIFIED:	APVD	WJ VOCKROTH	11/25/91
0 PLC	± -	PRODUCT SPEC	NAME	
1 PLC	± -	APPLICATION SPEC	TERMINAL, AMPPOWER™	
2 PLC	± 0.51[.020]		WIRE SIZE: 253.0mm²[500 MCM]	
3 PLC	± -		SIZE	CAGE CODE
4 PLC	± -		A2	00779
ANGLES	± -	WEIGHT	DRAWING NO	
		.322 LB	C=326105	
MATERIAL	FINISH	CUSTOMER DRAWING	SCALE	SHEET
ANNEALED COPPER	2		2:1	1 of 1
ASTM B-75				REV
				S2