

REVISIONS

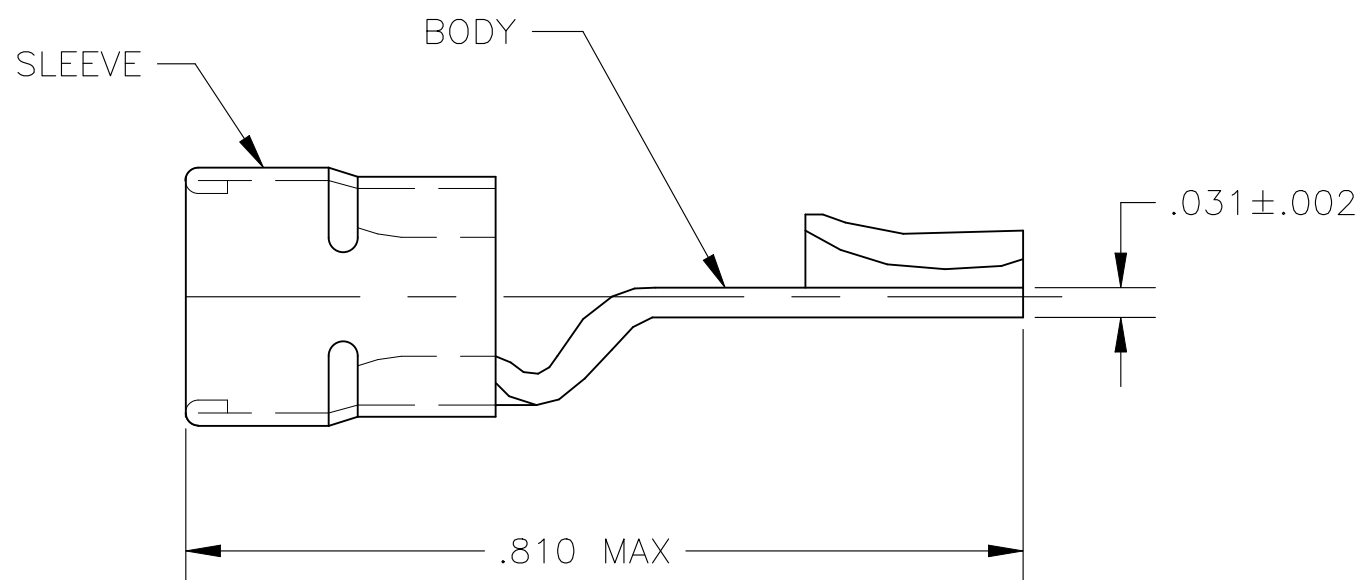
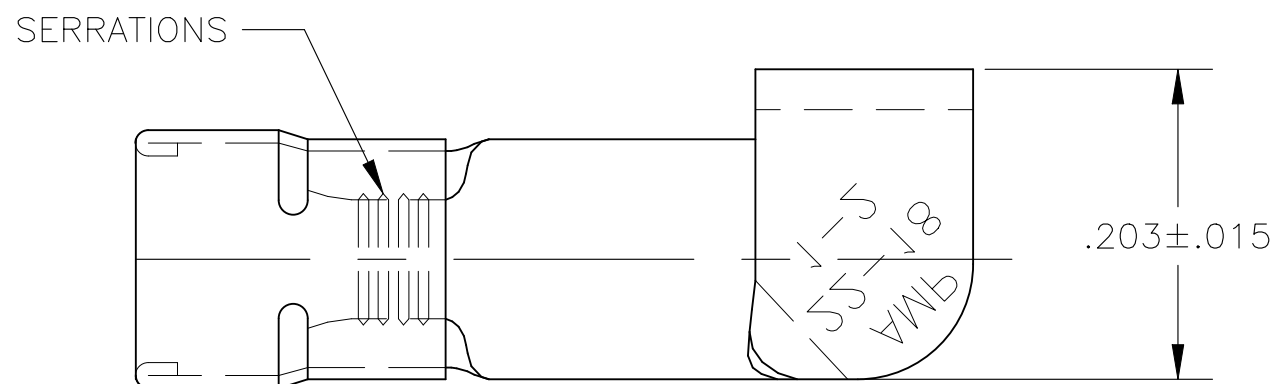
P	LTR	DESCRIPTION	DATE	DWN	APVD
	J1	ECR-25-236032	16JUN2025	SY	DR

1 FOR .080 TO .125 WIRE INSULATION DIA

2 MARKING 22-18 FOR MILITARY COMMERCIAL RANGE 22-16.

3 BODY & SLEEVE: COPPER PER ASTM-B152

4 TIN PLATE .000100 MIN THK PER ASTM-B545



OBSOLETE	5000	31770 ON TAPE	2-31770-2
	1000	LOOSE PIECE	31770
	QTY	PACKAGE TYPE	PART NO

THIS DRAWING IS A CONTROLLED DOCUMENT.		DWN jr_ruth 22DEC2003	STE TE Connectivity	
DIMENSIONS: INCHES		CHK MJ SPICER 22DEC03		
TOLERANCES UNLESS OTHERWISE SPECIFIED:		APVD MJ SPICER 22DEC03	NAME	
0 PLC ± -		PRODUCT SPEC	WIRE TERMINAL	
1 PLC ± -		APPLICATION SPEC	DIAMOND GRIP-KNIFE DISCONNECT	
2 PLC ± -		WEIGHT	WIRE SIZE: 22-16	
3 PLC ± .008		SIZE	CAGE CODE	DRAWING NO
4 PLC ± -		—	A3	00779
ANGLES ± 5°		RESTRICTED TO	C-31770	
MATERIAL		CUSTOMER DRAWING		
FINISH		SCALE	SHEET	REV
3		5:1	1 OF 1	J1
4				