

REVISIONS

P	LTR	DESCRIPTION	DATE	DWN	APVD
	A	ECN-25-358921;GTP	12DEC2025	TP	WILL

NOTES:

ALL DIMENSIONS ARE NOMINAL FOR REFERENCE ONLY UNLESS OTHERWISE STATED.

RoHS: COMPLIANT.

SPECIFICATIONS:

IMPEDANCE: 50Ω

FREQUENCY: DC TO 6GHz

VSWR/RL: 1.065 MAX. / 30 dB MIN.

INSERTION LOSS: 0.2 dB MAX.

CONTACT RESISTANCE:

CENTER: 6.0 MΩ MAX.

OUTER: 3.0 MΩ MAX.

VOLTAGE RATING: 170 VRMS MAX

DIELECTRIC WITHSTANDING VOLTAGE: 500V MAX

INSULATION RESISTANCE: 5000MΩ

MECHANICAL CHARACTERISTICS

DURABILITY: 500 CYCLES.

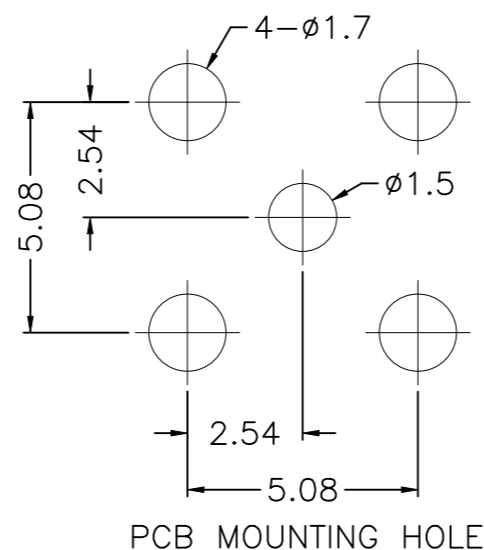
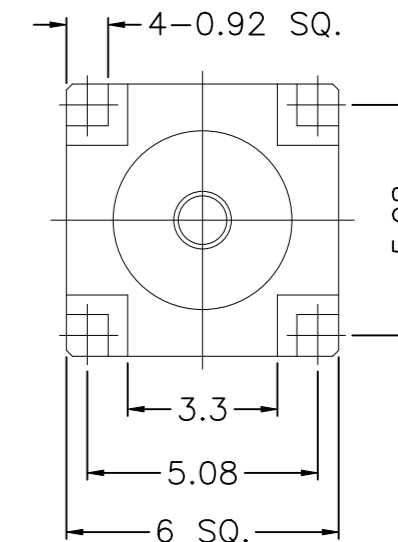
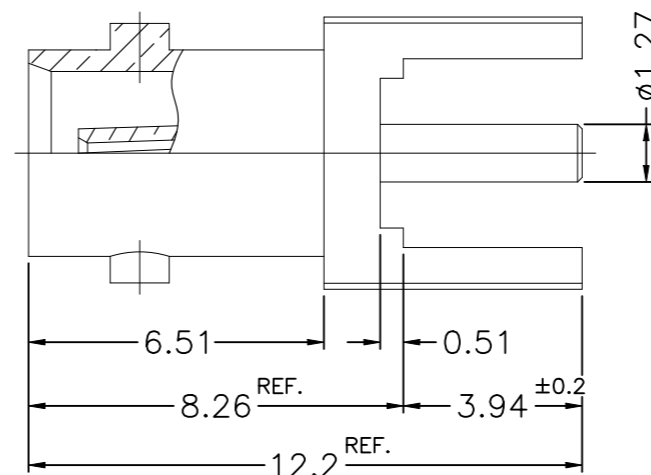
ENGAGEMENT AND DISENGAGEMENT FORCE:

ENGAGEMENT: 20 N MAX.

DISENGAGEMENT: 5 lbs MIN.

ENVIRONMENTAL PARAMETER

TEMPERATURE RANGE: -65°C TO +165°C



NOTES:

FINISH (PLATING THICKNESS IN MICRO-INCHES)

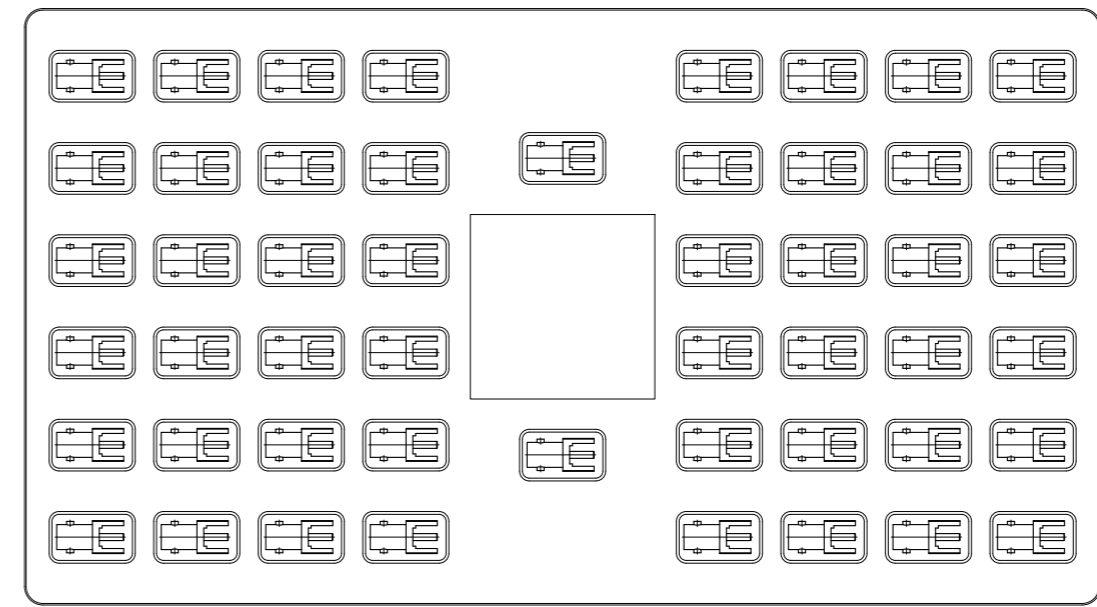
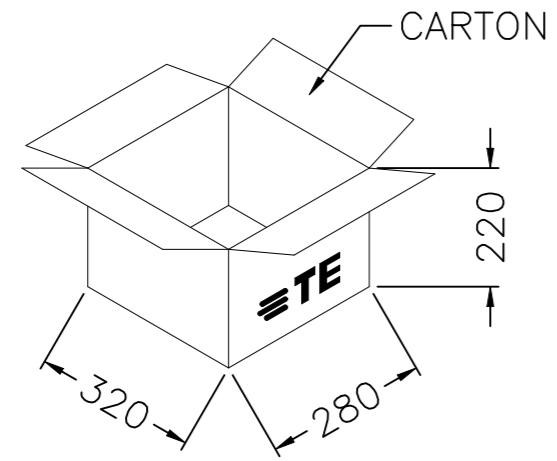
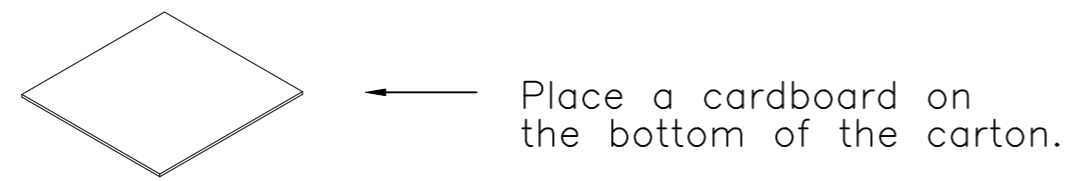
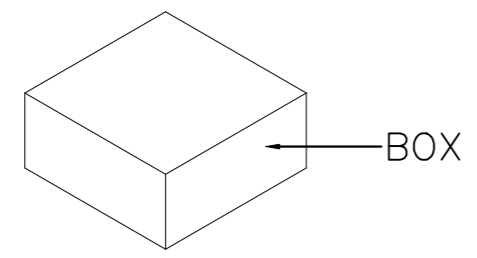
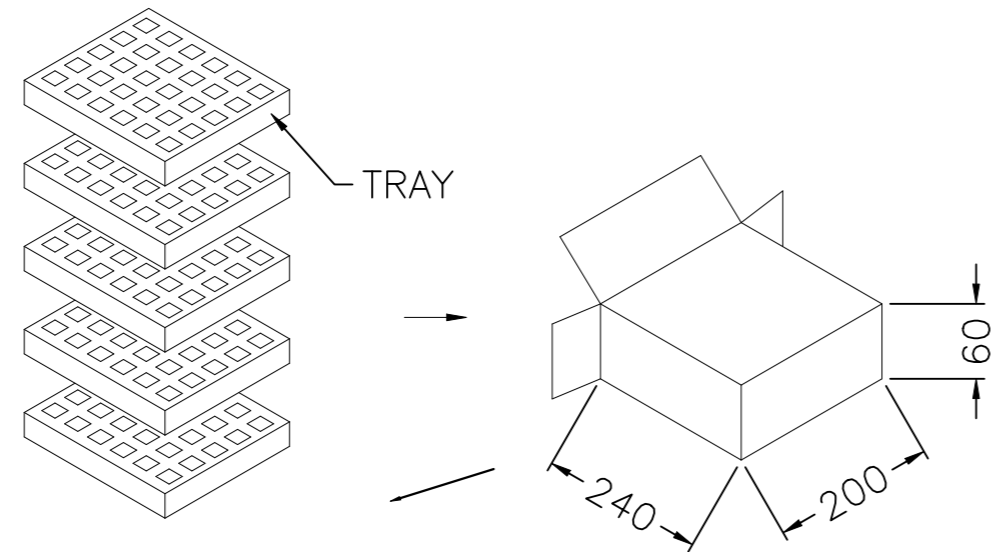
- 1 100 MICROINCHES MIN NICKEL PLATED, 50 MICROINCHES MIN OVER COPPER UNDERPLATED.
- 2 3 MICROINCHES MIN GOLD PLATED, 100 MICROINCHES MIN OVER NI-P (WT%10) NICKEL UNDERPLATED.

QUANTITY PER ASSY	FINISH/PLATING	MATERIAL	DESCRIPTION	ITEM
1	NOTE 2	BERYLLIUM COPPER	CONTACT PIN	3
1	NATURAL	PTFE	INSULATOR	2
1	NOTE 1	BRASS	BODY	1
2510979-1				

THIS DRAWING IS A CONTROLLED DOCUMENT.		DWN TP 7AUG2025	STE TE Connectivity Ltd.														
DIMENSIONS: mm		CHK TP 7AUG2025															
TOLERANCES UNLESS OTHERWISE SPECIFIED:		APVD WILL 7AUG2025	NAME High Density BNC Jack St Thru Hole 50 ohm														
<table border="1"> <tr><td>0 PLC</td><td>± 0.3</td></tr> <tr><td>1 PLC</td><td>± 0.2</td></tr> <tr><td>2 PLC</td><td>± 0.1</td></tr> <tr><td>3 PLC</td><td>± 0.05</td></tr> <tr><td>4 PLC</td><td>± -</td></tr> <tr><td>ANGLES</td><td>± 1</td></tr> </table>		0 PLC	± 0.3	1 PLC	± 0.2	2 PLC	± 0.1	3 PLC	± 0.05	4 PLC	± -	ANGLES	± 1	PRODUCT SPEC -	APPLICATION SPEC -		
0 PLC	± 0.3																
1 PLC	± 0.2																
2 PLC	± 0.1																
3 PLC	± 0.05																
4 PLC	± -																
ANGLES	± 1																
MATERIAL SEE TABLE		FINISH -	WEIGHT 0.9 G	SIZE A3	CAGE CODE 00779												
			DRAWING NO C-2510979	RESTRICTED TO -													
CUSTOMER DRAWING			SCALE 1:1	SHEET 1 OF 2	REV A												

REVISIONS

P	LTR	DESCRIPTION	DATE	DWN	APVD
-	-	SEE SHEET 1	-	-	-



- NOTE: 1. TRAY : PVC
 2. BOX : PAPER
 3. QUANTITY : 50 PCS/TRAY
 250 PCS/BOX
 250 PCS/CARTON

THIS DRAWING IS A CONTROLLED DOCUMENT.		DWN TP 7AUG2025	STE TE Connectivity Ltd.		
DIMENSIONS: mm		CHK TP 7AUG2025			
TOLERANCES UNLESS OTHERWISE SPECIFIED:		APVD WILL 7AUG2025	High Density BNC Jack St Thru Hole 50 ohm		
0 PLC ± 0.3		PRODUCT SPEC	-		
1 PLC ± 0.2		APPLICATION SPEC	-		
2 PLC ± 0.1		WEIGHT 0	SIZE A3	CAGE CODE 00779	DRAWING NO C-2510979
3 PLC ± 0.05		CUSTOMER DRAWING	RESTRICTED TO		-
4 PLC ± -			SCALE 1:1	SHEET 2 OF 2	REV A
ANGLES ± 1					
FINISH -					
MATERIAL SEE TABLE					