

© - TE Connectivity. All Rights Reserved.

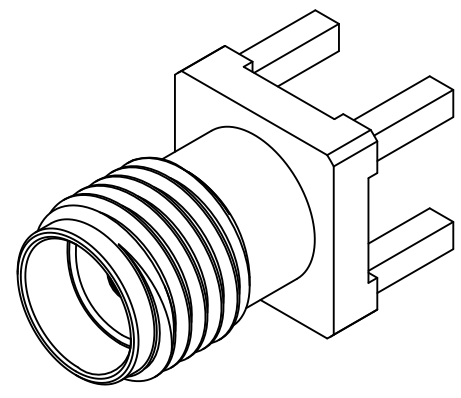
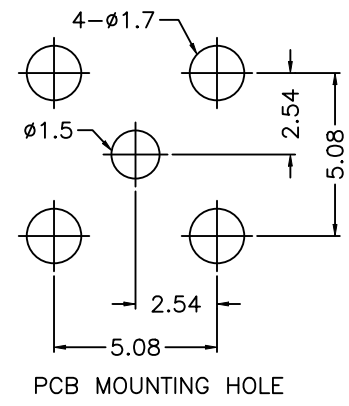
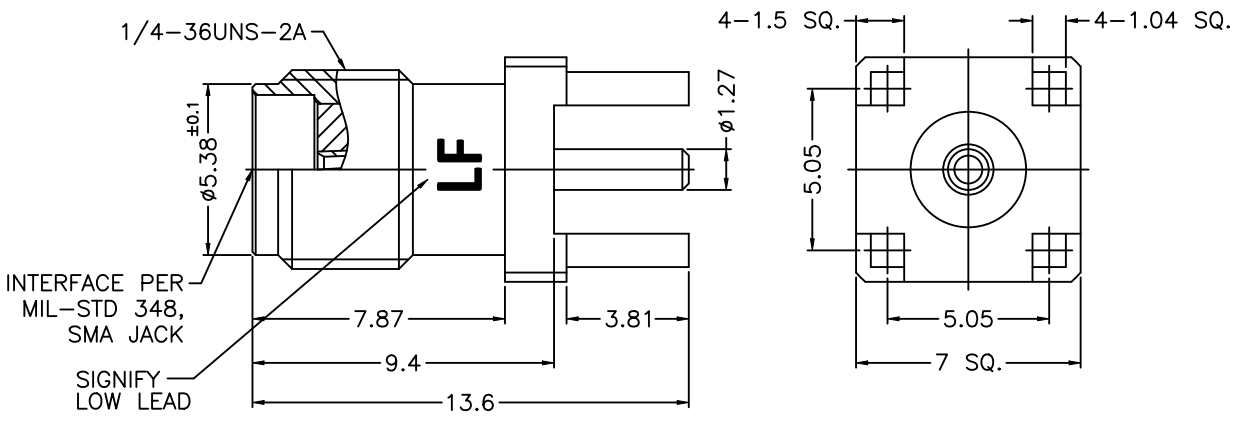
REVISIONS					
P	LTR	DESCRIPTION	DATE	DWN	APVD
A		GTP PER ECN-25-338513	17AUG2025	ED	WZ

MATERIALS AND PLATING		UNIT: MICRO-INCHES
PART NAME	MATERIAL	PLATING
BODY	LOW LEAD BRASS	GOLD 3u"/NICKEL 50u"/COPPER 50u"
CONTACT PIN	LOW LEAD BeCu	GOLD 3u"/NICKEL 50u"/COPPER 50u"
INSULATOR	PTFE ASTM-D-1710	NATURAL

ELECTRICAL CHARACTERISTICS	
IMPEDANCE	50 Ω
VOLTAGE RATING	335 V(rms)
FREQUENCY RANGE	DC~18 GHz
DIELECTRIC WITHSTANDING VOLTAGE	>1000 V
CONTACT RESISTANCE	CENTER CONTACT <3.0 mΩ
	OUTER CONTACT <2.0 mΩ
INSULATION RESISTANCE	>5000 MΩ
INSERTION LOSS	0.25dB MAX
VSWR	<1.20
3RD INTERMODULATION	N/A

MECHANICAL CHARACTERISTICS	
DURABILITY	> 500 cycles

ENVIRONMENTAL PARAMETER	
TEMPERATURE RANGE	-65 °C~+165 °C
WATERPROOF	/
THERMAL SHOCK	MIL- STD 202, Meth. 107,Cond. B
VIBRATION	MIL- STD 202, Meth. 204,Cond. D
SHOCK	MIL- STD 202, Meth. 213,Cond. I
CORROSION	MIL- STD 202, Meth. 101,Cond. B



LOW LEAD VERSION,RoHS (Pb < 100ppm),REACH	2508799-1
MARK	PART NUMBER

NOTES:
 1 TRAY PACKAGING AND DETAIL PACKAGING SPEC IS PAGE 2;
 2 ALL DIMENSIONS ARE NOMINAL FOR REFERENCE ONLY UNLESS OTHERWISE STATED.

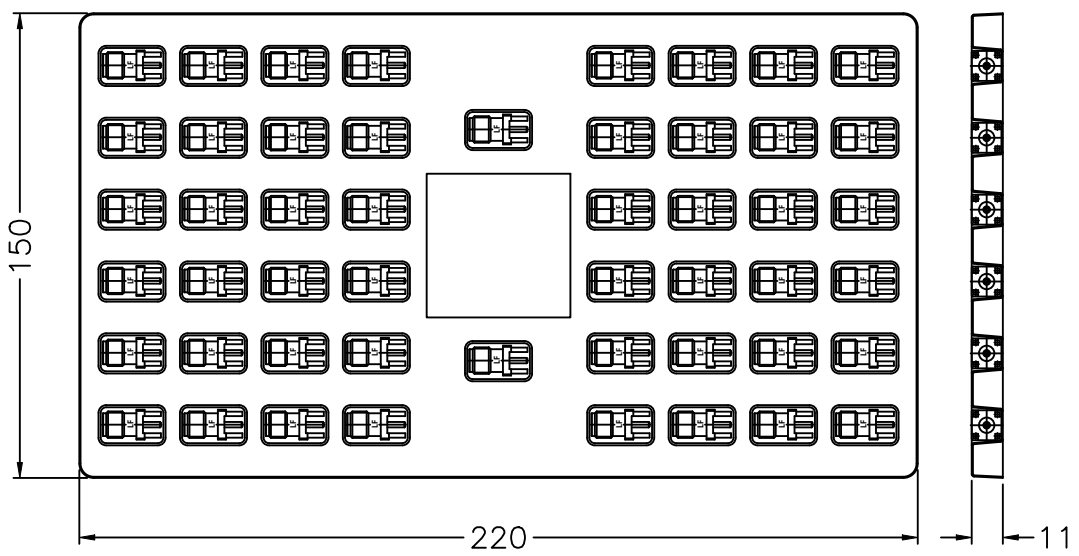
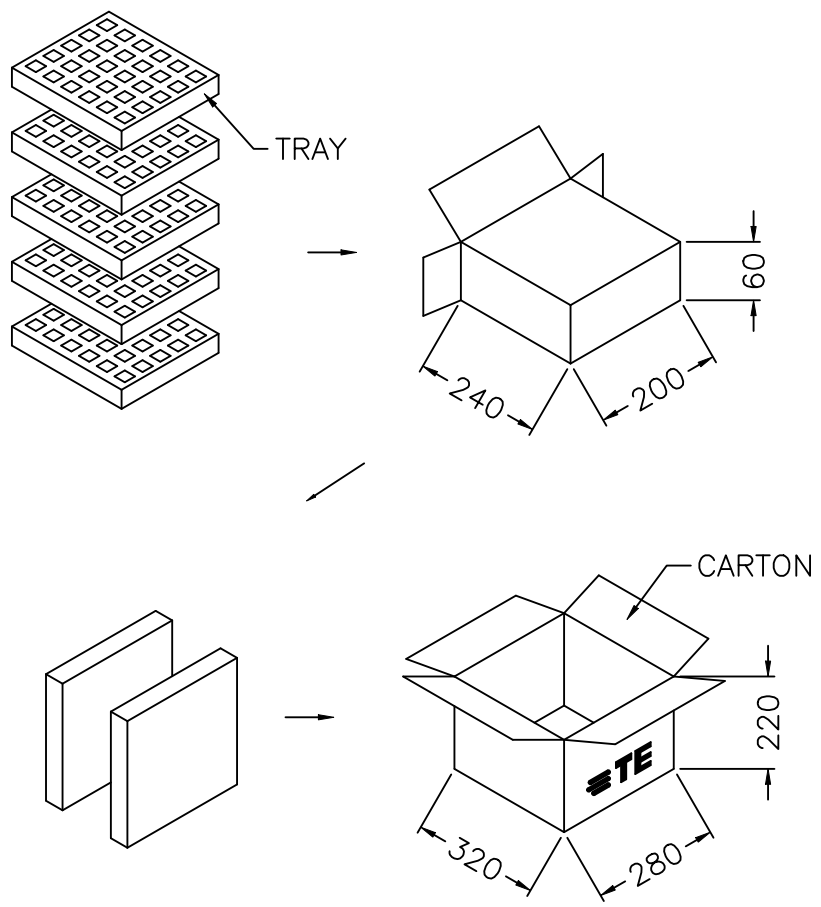
THIS DRAWING IS A CONTROLLED DOCUMENT.		DWN ED 16JUN2025	TE Connectivity		
DIMENSIONS: mm		CHK TP 16JUN2025			
TOLERANCES UNLESS OTHERWISE SPECIFIED:		APVD WH 16JUN2025	NAME SMA Jack Str Thru Hole Lead Free 18 GHz		
0 PLC ± 0.3 1 PLC ± 0.3 2 PLC ± 0.2 3 PLC ± 0.1 4 PLC ANGLES ± ± 5°		PRODUCT SPEC	-		
MATERIAL		APPLICATION SPEC	-		
FINISH		SIZE	CAGE CODE	DRAWING NO	RESTRICTED TO
-		WEIGHT	A3	00779	C=2508799
-		CUSTOMER DRAWING		SCALE 1:1	SHEET 1 of 2
-		-		REV A	

TRAY PACKAGING

P	LTR	DESCRIPTION	DATE	DWN	APVD
-	-	SEE SHEET 1	-	-	-

UNLESS OTHERWISE SPECIFIED
TOLERANCES

- 0.5-6 = ±0.2
- 6-30 = ±0.4
- 30-120 = ±0.6
- 120-315 = ±1
- 315-1000 = ±1.6
- 1000-2000 = ±2.4



THIS DRAWING IS A CONTROLLED DOCUMENT.		DWN ED	16JUN2025	STC TE Connectivity	
		CHK TP	16JUN2025		
		APVD WH	16JUN2025	NAME	
		PRODUCT SPEC		SMA Jack Str Thru Hole Lead Free 18 GHz	
		APPLICATION SPEC		-	
		-		SIZE	RESTRICTED TO
		WEIGHT		A3	-
		CUSTOMER DRAWING		CAGE CODE	00779
				DRAWING NO	C=2508799
				SCALE	1:1
				SHEET	2 of 2
				REV	A

DIMENSIONS: mm		TOLERANCES UNLESS OTHERWISE SPECIFIED:	
		0 PLC	± 0.3
		1 PLC	± 0.3
		2 PLC	± 0.2
		3 PLC	± 0.1
		4 PLC	± 0.1
MATERIAL		FINISH	
-		-	