

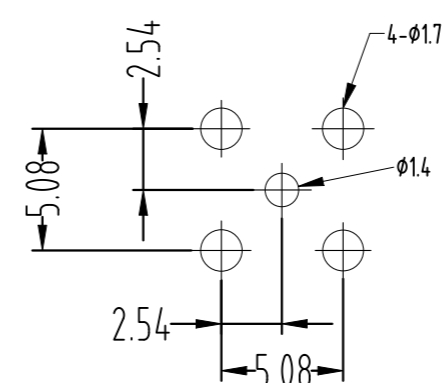
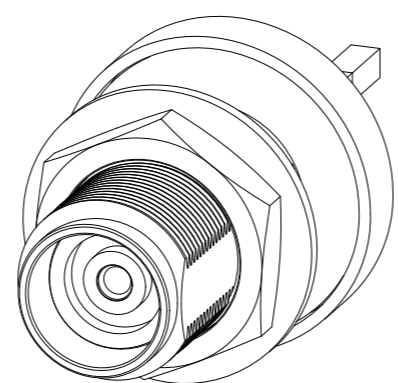
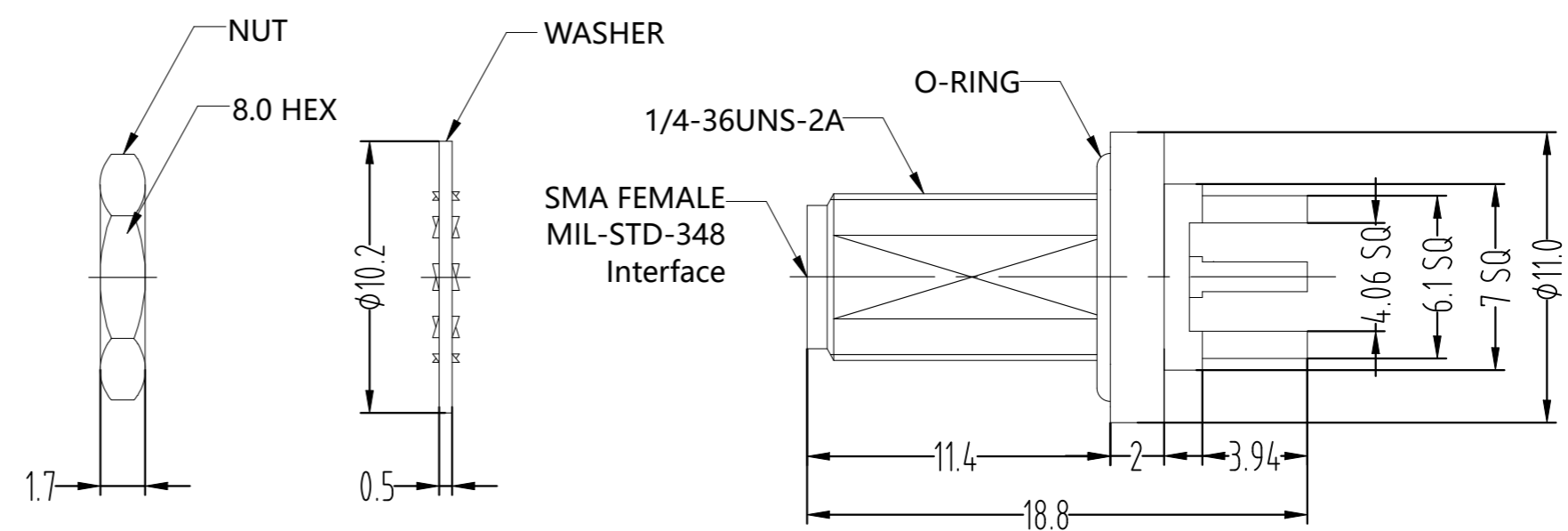
REVISIONS				
P	LTR	DESCRIPTION	DATE	APVD
	A1	REVISE PER ECN-25-329991	01JUL2025	ED WZ

MATERIALS AND PLATING		UNIT: MICRO-INCHES
PART NAME	MATERIAL	PLATING
BODY/SHELL	BRASS	GOLD 3u"/NICKEL 100u"/COPPER 50u"
CONTACT PIN	Be-Cu C17300	SEE TEPN LIST
INSULATOR	PTFE MIL-P-19468	N/A
GASKET	SILICONE(RED)	N/A
NUT	BRASS	GOLD 3u"/NICKEL 100u"/COPPER 50u"
WASHER	BRASS	GOLD 3u"/NICKEL 100u"/COPPER 50u"

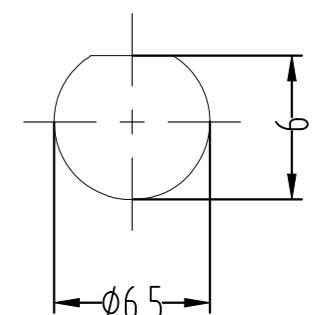
ELECTRICAL CHARACTERISTICS	
IMPEDANCE	50 Ω
VOLTAGE RATING	330 V(rms)
FREQUENCY RANGE	DC~6 GHz
DIELECTRIC WITHSTANDING VOLTAGE	>1000 V
CONTACT RESISTANCE	CENTER CONTACT <3.0 mΩ
	OUTER CONTACT <2.0 mΩ
INSULATION RESISTANCE	>1000 MΩ
INSERTION LOSS	N/A
VSWR	<1.30
3RD INTERMODULATION	N/A

MECHANICAL CHARACTERISTICS	
DURABILITY	> 500 cycles

ENVIRONMENTAL PARAMETER	
TEMPERATURE RANGE	-65 °C~+165 °C
WATERPROOF	IP68 & INTERNALLY SEALED
THERMAL SHOCK	MIL- STD 202, Meth. 107,Cond. B
VIBRATION	MIL- STD 202, Meth. 204,Cond. D
SHOCK	MIL- STD 202, Meth. 213,Cond. I
CORROSION	MIL- STD 202, Meth. 101,Cond. B



RECOMMENDED PCB HOLE LAYOUT



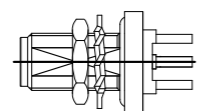
RECOMMENDED MOUNTING HOLE APPLICABLE PANEL THICKNESS: MIN 0.7mm~MAX 3.2mm

GOLD 30u"/NICKEL 100u"/COPPER 50u"	2502469-2
GOLD 10u"/NICKEL 100u"/COPPER 50u"	2502469-1
THE PLATING OF CONTACT PIN	PART NUMBER

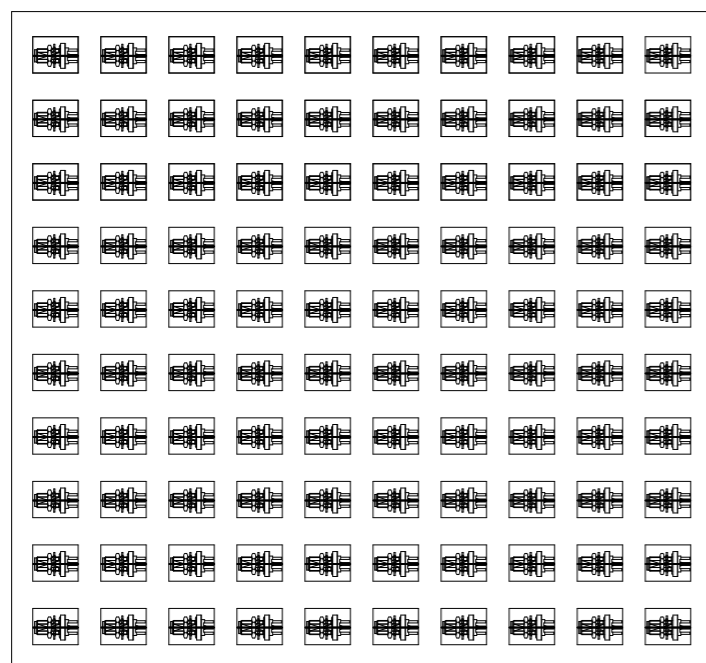
NOTES:
 1 TRAY AND BOX PACKAGING.PACKAGING DRAWING OF 2502469-1&2502469-2 ARE IN P2;
 2 ALL DIMENSIONS ARE NOMINAL FOR REFERENCE ONLY UNLESS OTHERWISE STATED;
 3 RoHS: COMPLIANT;
 IT CAN MEET IP68 WATERPROOF IN BOTH MATING CONDITION AND UN-MATING CONDITION.

THIS DRAWING IS A CONTROLLED DOCUMENT.		DWN ED 10MAR2025	TE Connectivity	
		CHK TP 10MAR2025		
		APVD WH 10MAR2025	NAME	
		PRODUCT SPEC	SMA Jack St Bulkhead IP68 Thru Hole	
		APPLICATION SPEC		
		WEIGHT	SIZE	CAGE CODE
			A3	00779
			DRAWING NO	
			C-2502469	
			RESTRICTED TO	
		CUSTOMER DRAWING	SCALE	SHEET
			1:1	1 OF 2
				REV
				A1

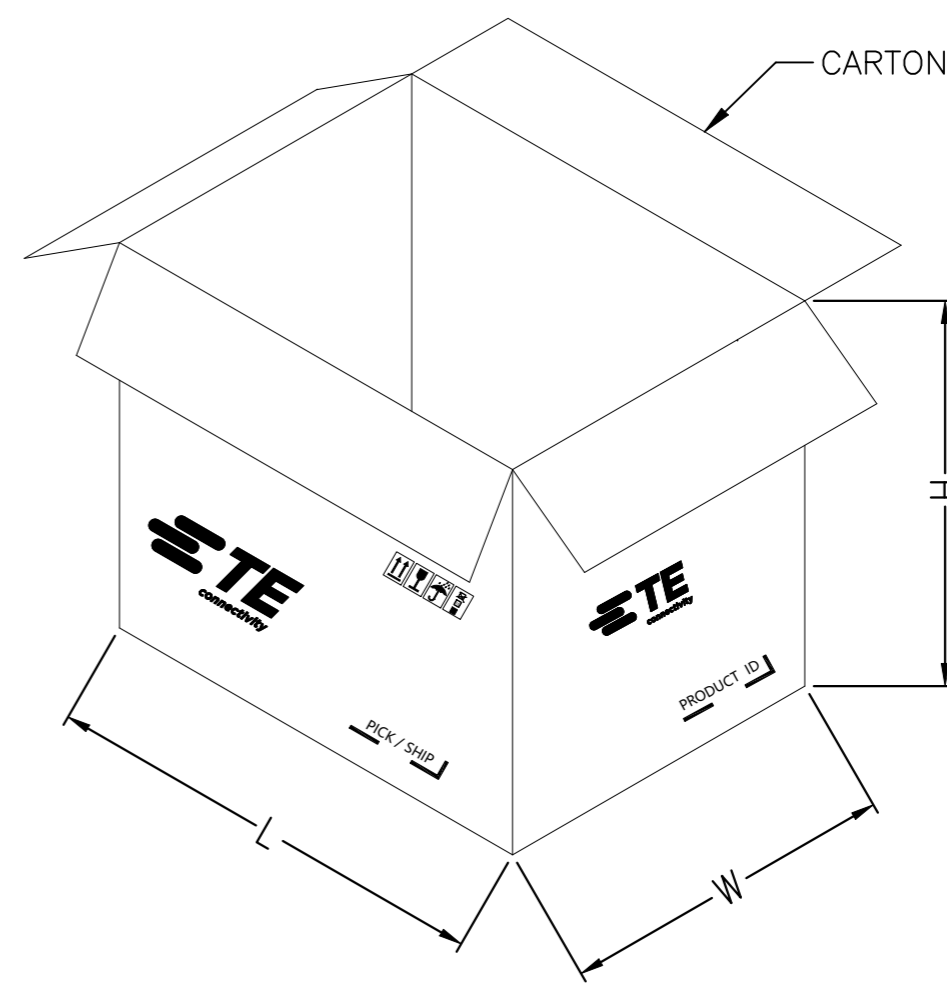
REVISIONS					
P	LTR	DESCRIPTION	DATE	DWN	APVD
-	-	SEE SHEET 1	-	-	-



↓ 100 PCS



5 dish
→



NOTES :

1. DIMENSION:
CARTON: L=320, W=300, H=90
2. QUANTITY:
 - 2.1 PRIMARY PACKING: 100 PCS/DISH(100PCS)
 - 2.2 OUTER PACKING: 5 DISH/CARTON(500PCS)

THIS DRAWING IS A CONTROLLED DOCUMENT.		DWN ED	10MAR2025	TE Connectivity					
		CHK TP	10MAR2025						
DIMENSIONS: mm		TOLERANCES UNLESS OTHERWISE SPECIFIED:		NAME					
		0 PLC	± -	SMA Jack St Bulkhead IP68 Thru Hole					
		1 PLC	± 0.3						
MATERIAL		2 PLC	± 0.2	SIZE					
		3 PLC	± 0.1	CAGE CODE					
		4 PLC	± -	DRAWING NO					
		ANGLES	± 5°	RESTRICTED TO					
		FINISH	-	A3 00779 C-2502469					
				CUSTOMER DRAWING					
				SCALE	1:1	SHEET	2 OF 2	REV	A1