

NOTES:

PACK ACCORDANCE WITH TE SPEC 107-3275;

ALL DIMENSIONS ARE NOMINAL FOR REFERENCE ONLY UNLESS OTHERWISE STATED;

RoHS: COMPLIANT.

SPECIFICATIONS:

IMPEDANCE: 50Ω

FREQUENCY: DC to 6GHz

VSWR/RL: 1.3 max. / 17.69 dB min.

INSERTION LOSS: 0.35 dB max

CONTACT RESISTANCE:

CENTER: 3 milliohms.

OUTER: 2 milliohms.

DIELECTRIC WITHSTANDING VOLTAGE: >1500 V

INSULATION RESISTANCE: >5000 mΩ

MECHANICAL CHARACTERISTICS

ENGAGEMENT AND DISENGAGEMENT FORCE

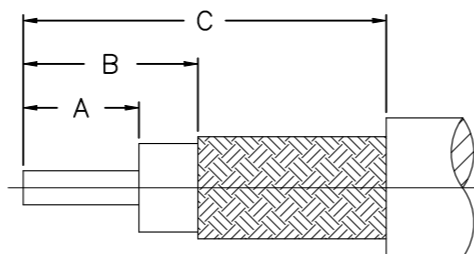
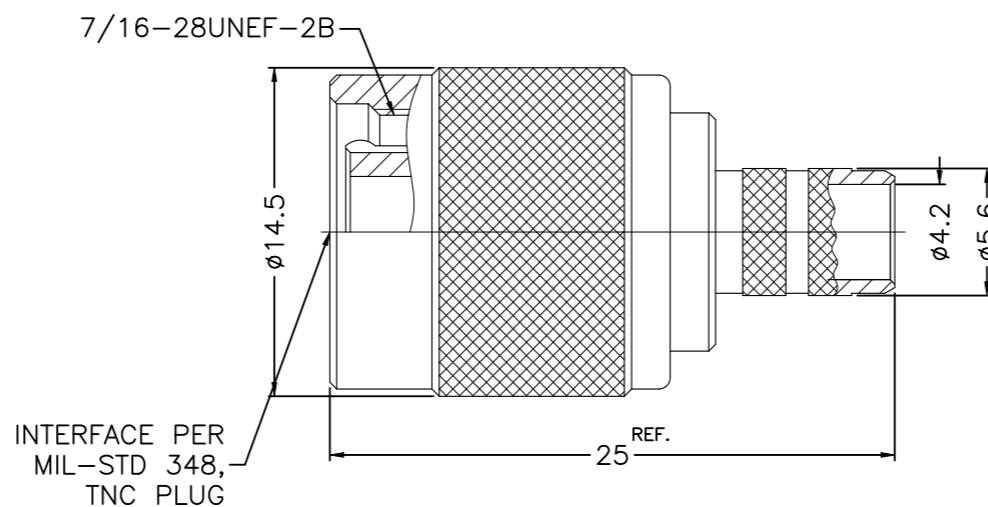
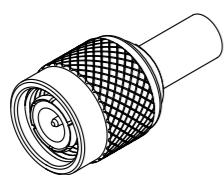
ENGAGEMENT: 0.23 N.m max.

DISENGAGEMENT: 0.23 N.m max.

DURABILITY: 500 cycles min.

ENVIRONMENTAL PARAMETER

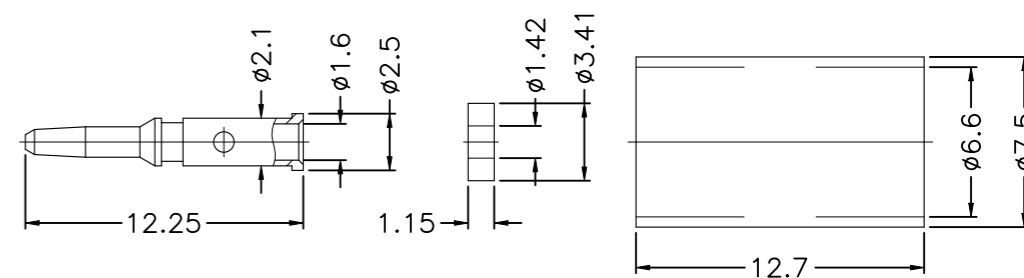
TEMPERATURE RANGE: -40°C TO +85°C



RECOMMENDED CABLE STRIPPING DIM'S

CABLE TYPE	A	B	C	DURABILITY
LMR-240	5.1	7.7	16	YES
RG-8/X	4	7.7	16	NO

REVISIONS					
P	LTR	DESCRIPTION	DATE	DWN	APVD
	A	ECN-25-315538,GTP	09APR2025	TP	WK



1. CRIMPED FERRULE
HEX CRIMP SIZE .255"
2. CRIMPED CONTACT PIN
HEX CRIMP SIZE .068"

NOTES:

FINISH (PLATING THICKNESS IN MICRO-INCHES)

- 1 100 MICROINCHES MIN NICKEL PLATED,
50 MICROINCHES MIN OVER COPPER UNDERPLATED.
- 2 3 MICROINCHES MIN GOLD PLATED,
50 MICROINCHES MIN OVER NICKEL UNDERPLATED,
50 MICROINCHES MIN OVER COPPER UNDERPLATED.

QTY	DESCRIPTION	MATERIAL	DESCRIPTION	ITEM
1	NOTE 1	BRASS	FERRULE	10
1	NATURAL	PTFE	INSULATOR	9
1	NOTE 2	BRASS	CONTACT PIN	8
1	NOTE 1	BRASS	WASHER	7
1	NATURAL	POM	RING	6
1	NOTE 1	BRASS	RETAINER RING	5
1	RED	SILICONE RUBBER	GASKET	4
1	NATURAL	POM	INSULATOR	3
1	NOTE 1	BRASS	BODY	2
1	NOTE 1	BRASS	SHELL	1

QUANTITY PER ASSY	PARTS LIST

THIS DRAWING IS A CONTROLLED DOCUMENT.		DWN TP 27JAN2025	TE Connectivity NAME TNC PLUG STR CRIMP LMR-240, RG-8/X				
DIMENSIONS: mm		CHK TP 27JAN2025					
TOLERANCES UNLESS OTHERWISE SPECIFIED:		APVD WK 27JAN2025					
0 PLC ± 0.3 1 PLC ± 0.2 2 PLC ± 0.1 3 PLC ± 0.05 4 PLC ± - ± 5 ANGLES ± 5		PRODUCT SPEC -					
MATERIAL SEE TABLE		FINISH -	APPLICATION SPEC -	SIZE	CAGE CODE	DRAWING NO	RESTRICTED TO
		WEIGHT 12.25 G	A3	00779	C-2501431		
CUSTOMER DRAWING			SCALE 1:1	SHEET 1 OF 1	REV A		