

NOTES:

PACK ACCORDANCE WITH TE SPEC 107-3275;

ALL DIMENSIONS ARE NOMINAL FOR REFERENCE ONLY UNLESS OTHERWISE STATED;

RoHS: COMPLIANT.

SPECIFICATIONS:

IMPEDANCE: 50Ω

FREQUENCY: DC to 6GHz

VSWR/RL: 1.4 max. / 15.56 dB min.

INSERTION LOSS: 0.3 dB max

CONTACT RESISTANCE:
CENTER: 3 milliohms.
OUTER: 2 milliohms.

DIELECTRIC WITHSTANDING VOLTAGE: >1500 V

INSULATION RESISTANCE: >5000 mΩ

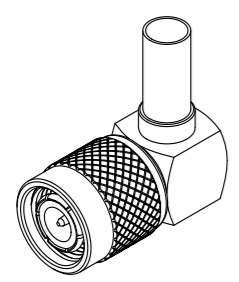
MECHANICAL CHARACTERISTICS

ENGAGEMENT AND DISENGAGEMENT FORCE
ENGAGEMENT: 0.23 N.m max.
DISENGAGEMENT: 0.23 N.m max.

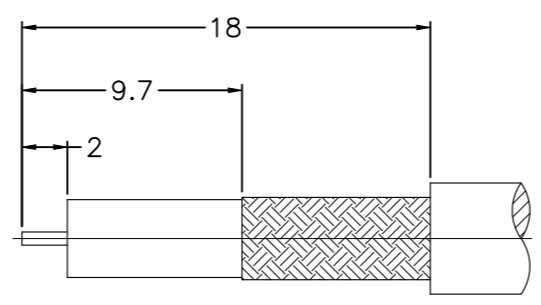
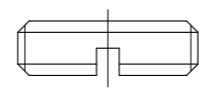
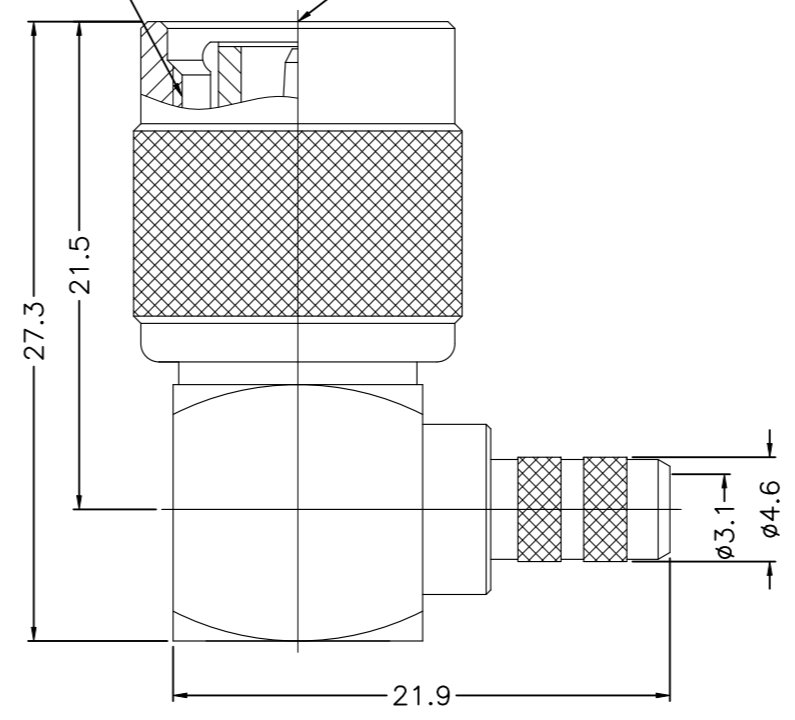
DURABILITY: 500 cycles min.

ENVIRONMENTAL PARAMETER

TEMPERATURE RANGE: -40°C TO +85°C



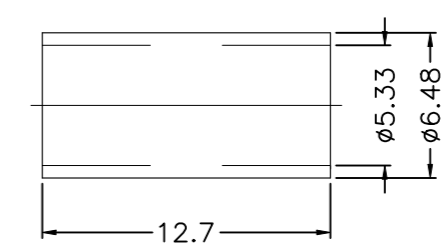
7/16-28UNEF-2B
INTERFACE PER MIL-STD 348, TNC PLUG



RECOMMENDED CABLE STRIPPING DIM'S

REVISIONS					
P	LTR	DESCRIPTION	DATE	DWN	APVD
	A	ECN-25-315538,GTP	09APR2025	TP	WK

- 1. CRIMPED FERRULE
HEX CRIMP SIZE .213"
- 2. CONTACT PIN TO SOLDER



NOTES:
FINISH (PLATING THICKNESS IN MICRO-INCHES)

- 1 100 MICROINCHES MIN NICKEL PLATED, 50 MICROINCHES MIN OVER COPPER UNDERPLATED.
- 2 3 MICROINCHES MIN GOLD PLATED, 50 MICROINCHES MIN OVER NICKEL UNDERPLATED, 50 MICROINCHES MIN OVER COPPER UNDERPLATED.

QTY	DESCRIPTION	MATERIAL	DESCRIPTION	ITEM
1	NOTE 1	BRASS	NUT	11
1	NOTE 1	COPPER	FERRULE	10
1	NOTE 1	BRASS	WASHER	9
1	NATURAL	POM	RING	8
1	NOTE 1	BRASS	RETAINER RING	7
1	RED	SILICONE RUBBER	GASKET	6
1	NOTE 2	BRASS	CONTACT PIN	5
1	NATURAL	PTFE	INSULATOR	4
1	NOTE 1	BRASS	BARREL	3
1	NOTE 1	BRASS	HOUSING	2
1	NOTE 1	BRASS	SHELL	1

QUANTITY PER ASSY	PARTS LIST			

THIS DRAWING IS A CONTROLLED DOCUMENT.		DWN TP 23JAN2025	TE Connectivity TNC PLUG RA CRIMP RG-58, 141, LMR-195		
DIMENSIONS: mm		CHK TP 23JAN2025			
TOLERANCES UNLESS OTHERWISE SPECIFIED:		APVD WK 23JAN2025			
0 PLC ± 0.3 1 PLC ± 0.2 2 PLC ± 0.1 3 PLC ± 0.05 4 PLC ± - ANGLES ± 5		NAME			
MATERIAL SEE TABLE		FINISH -	PRODUCT SPEC -	APPLICATION SPEC -	RESTRICTED TO -
		WEIGHT 22.4 G	SIZE A3	CAGE CODE 00779	DRAWING NO C-2501430
CUSTOMER DRAWING			SCALE 1:1	SHEET 1 OF 1	REV A