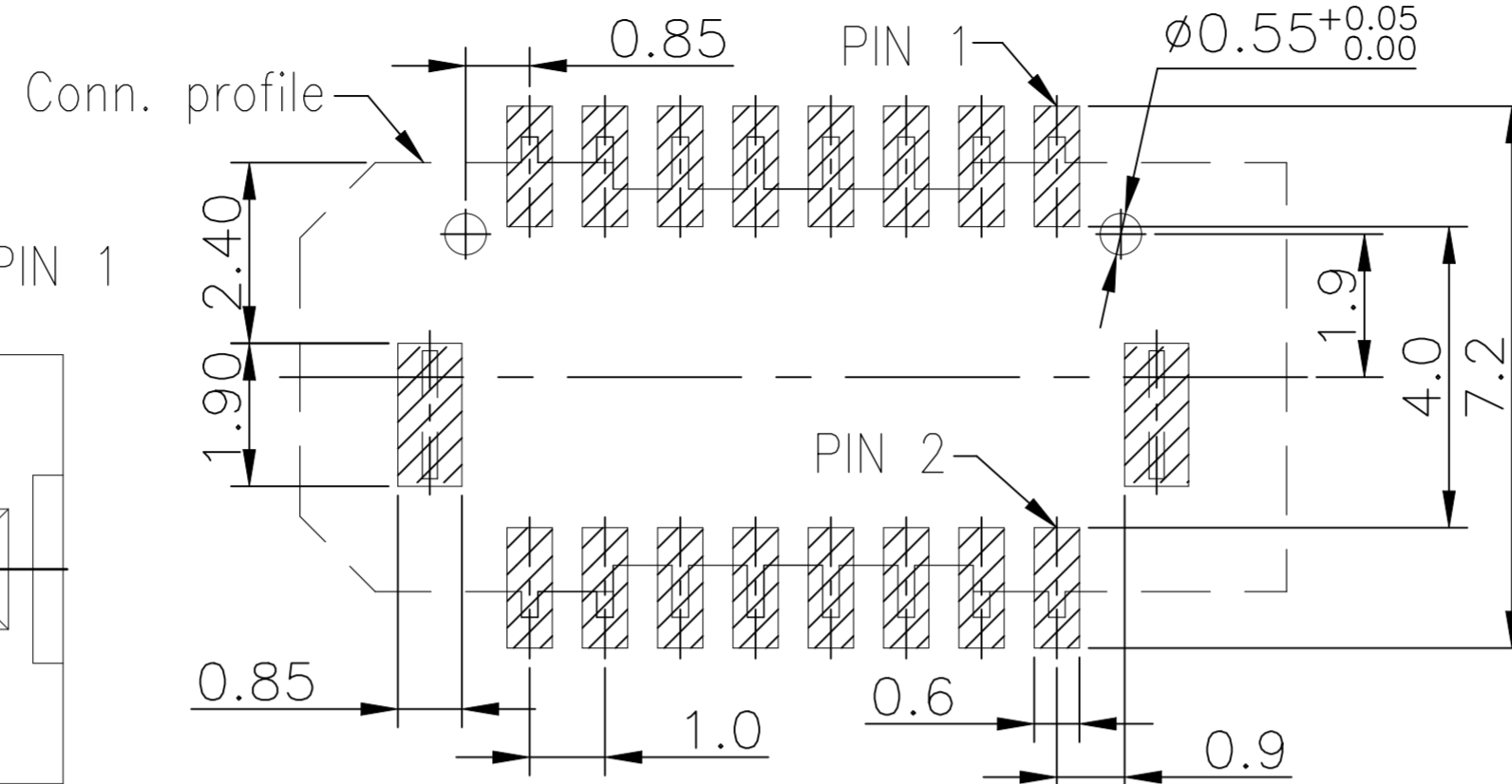
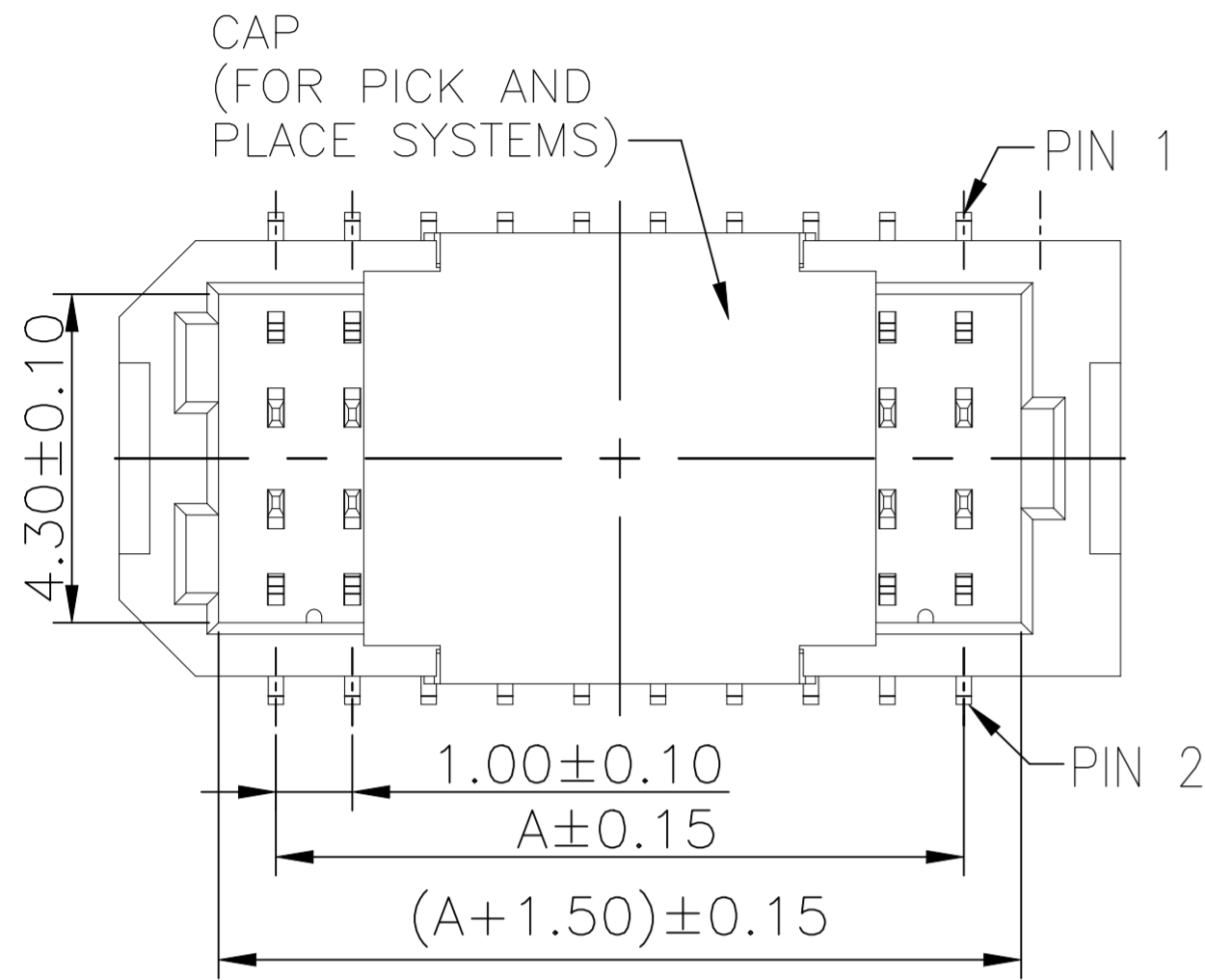


REVISIONS					
P	LTR	DESCRIPTION	DATE	DWN	APVD
B		ADDED PN 3-2484140-2	10OCT2025	M.S	J.M



P.C.B. LAYOUT  
GENERAL TOLERANCES: ±0.05

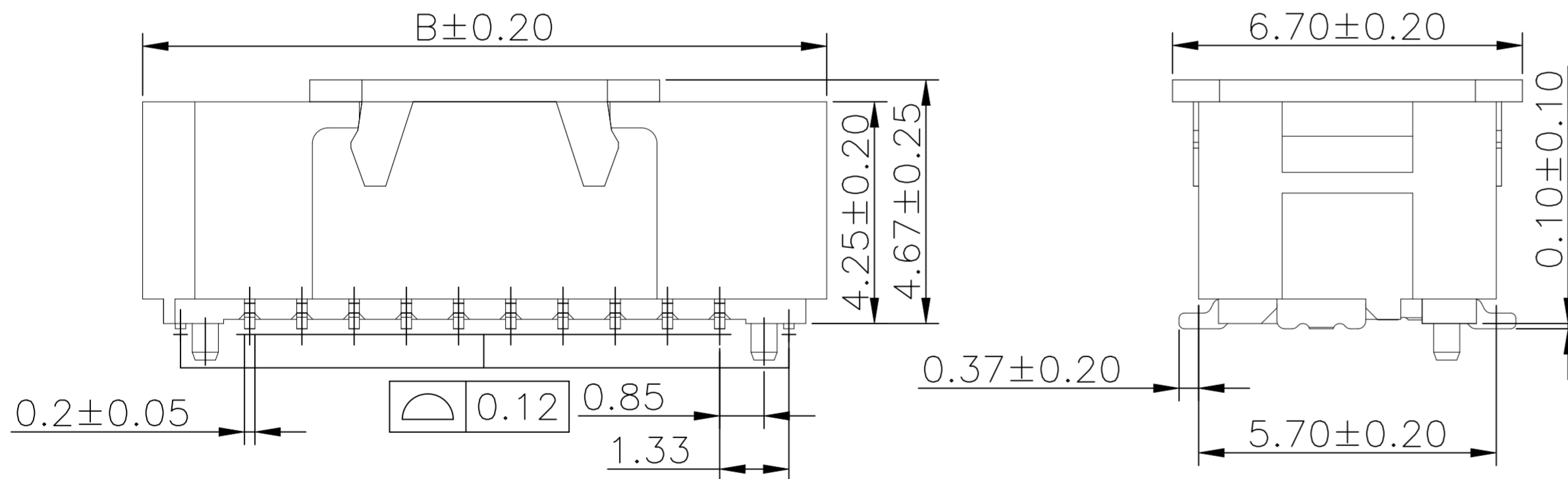
SPECIFICATIONS

1. Voltage Rating: 50V AC,DC.
2. Current Rating: 1A AC,DC.
3. Withstanding Voltage: 500V AC/minute.
4. Contact Resistance: 20mΩ Max.
5. Insulation Resistance: 100MΩ Min.
6. For PN-2484140-X, 2-2484140-X Temperature Range: -25°C~+85°C and PN-1-2484140-X Temperature Range: -25°C~+110°C.
7. The product using materia and processing must conform to the "W-PZ-142 HSF technical standard control requirements.

Ⓜ Ⓢ Matt Tin thickness is 0.76um (30u").

Suitable for 2484144-X series terminal

For TCPN: 3-2484140-2 refer sheet 4

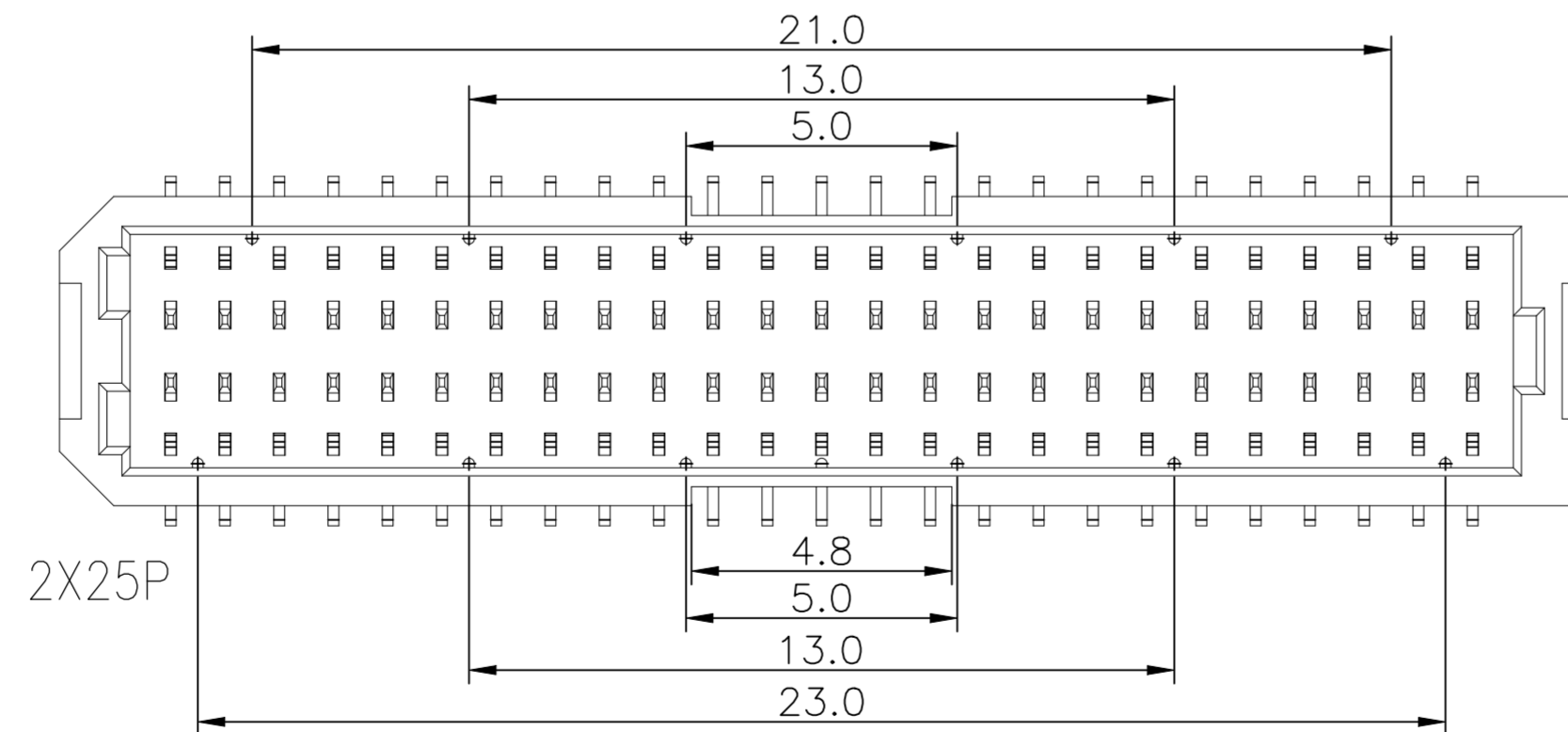
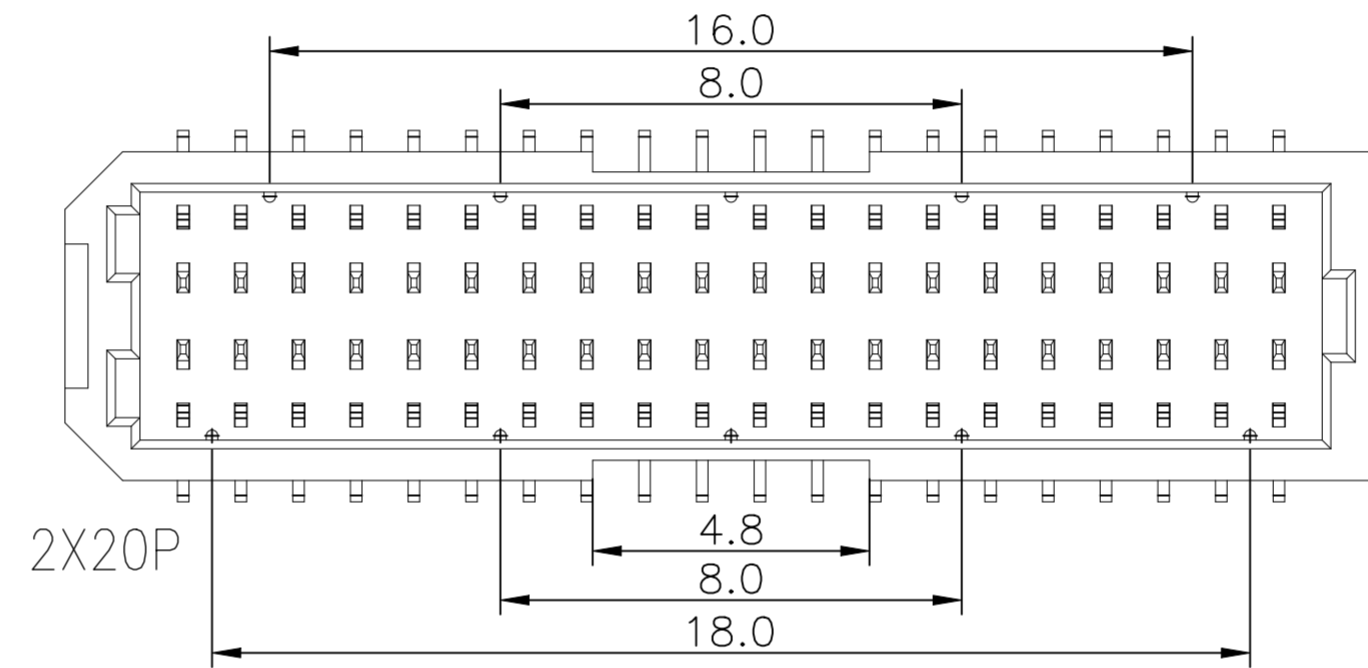
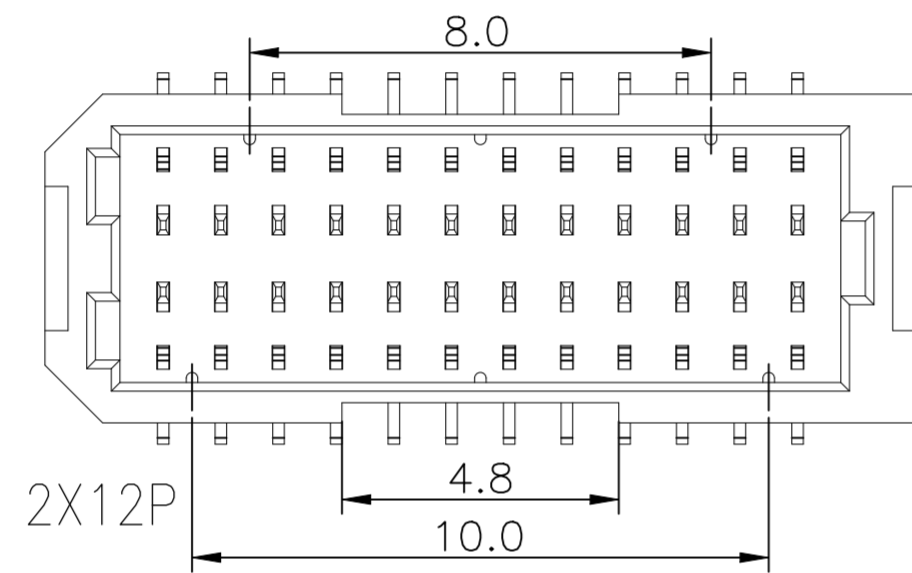
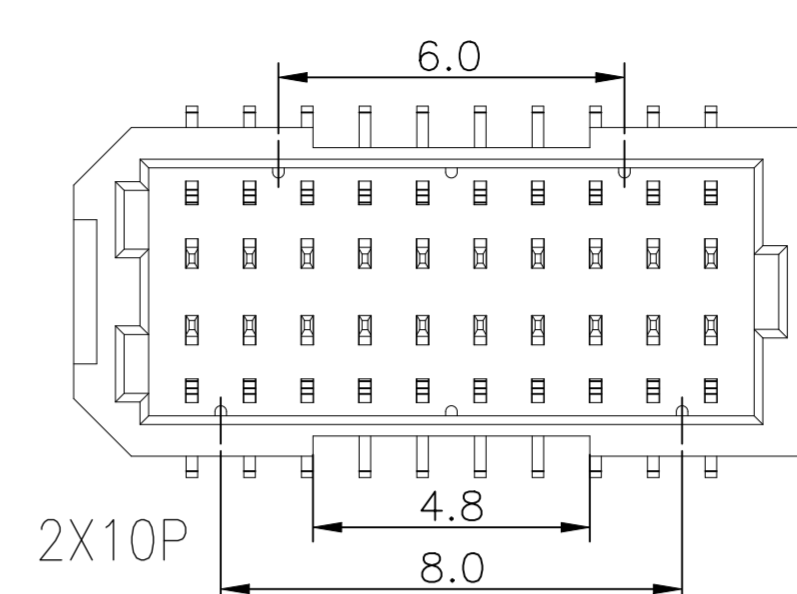
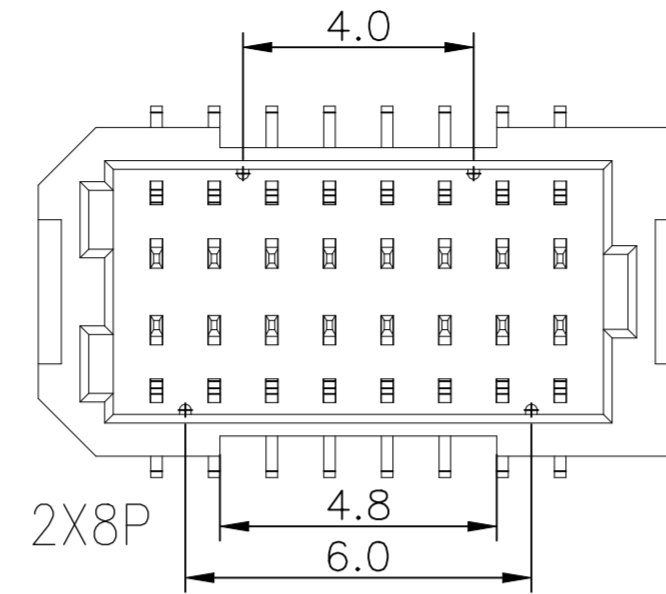
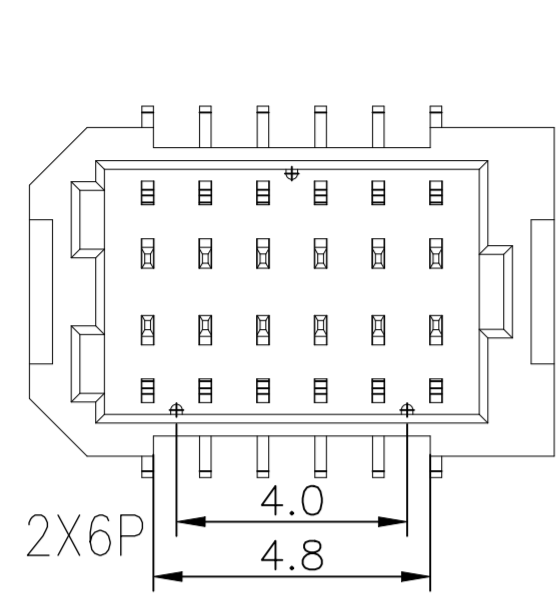


TE PN			Circuits	Dimensions	
GOLD FLASH	30u"	Ⓢ Matt Tin	Part No	A	B
2484140-1	1-2484140-1	-	2X6P	5.00	9.10
2484140-2	1-2484140-2	2-2484140-2	2X8P	7.00	11.10
2484140-3	1-2484140-3	-	2X10P	9.00	13.10
2484140-4	1-2484140-4	-	2X12P	11.00	15.10
2484140-5	1-2484140-5	-	2X20P	19.00	23.10
2484140-6	1-2484140-6	-	2X25P	24.00	28.10

Part No.	Material	Color	Pin Material	Solder Tabs
2484140-X	Thermo plastic,UL94V-0	Beige	Phosphor Bronze/Gold-flash	Brass/Gold-flash
1-2484140-X	High temperature plastic,UL94V-0	Beige	Phosphor Bronze/Au 30u"	Brass/Gold-flash
2-2484140-X	Thermo plastic,UL94V-0	Beige	Phosphor Bronze/Matte Tin	Brass/Matte Tin

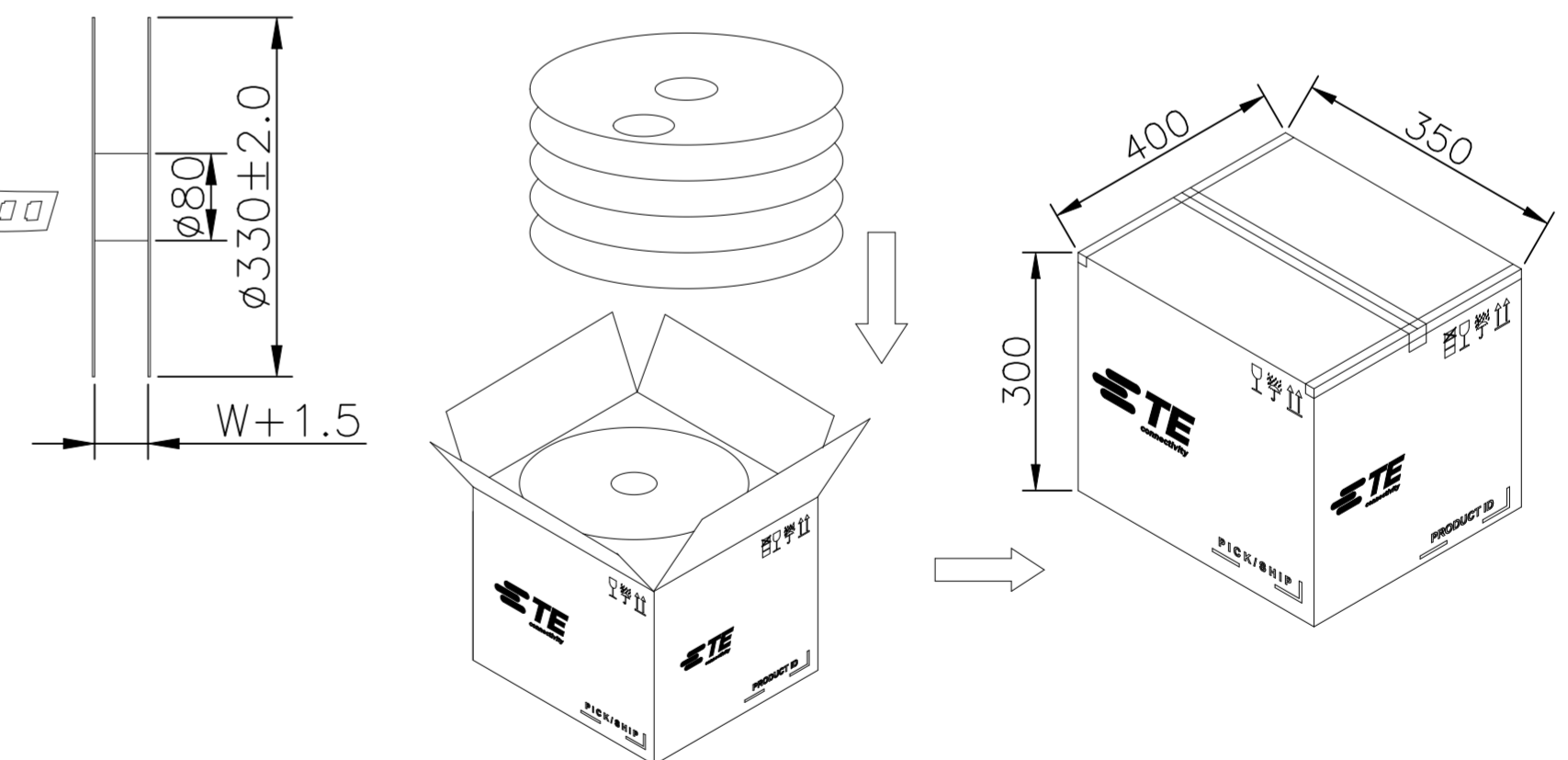
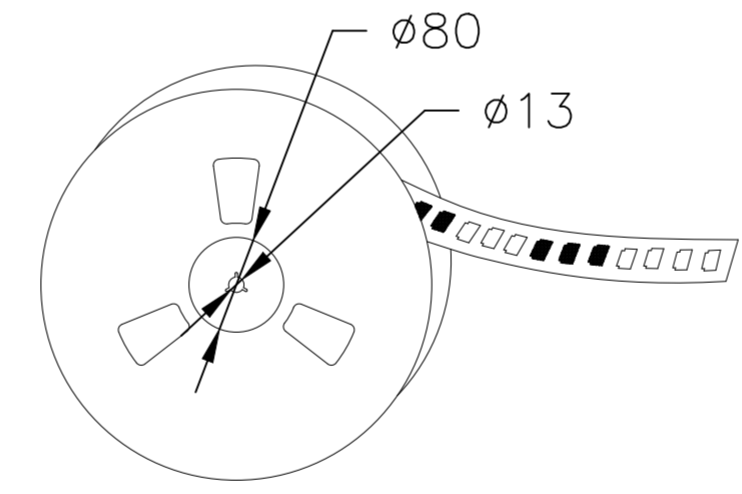
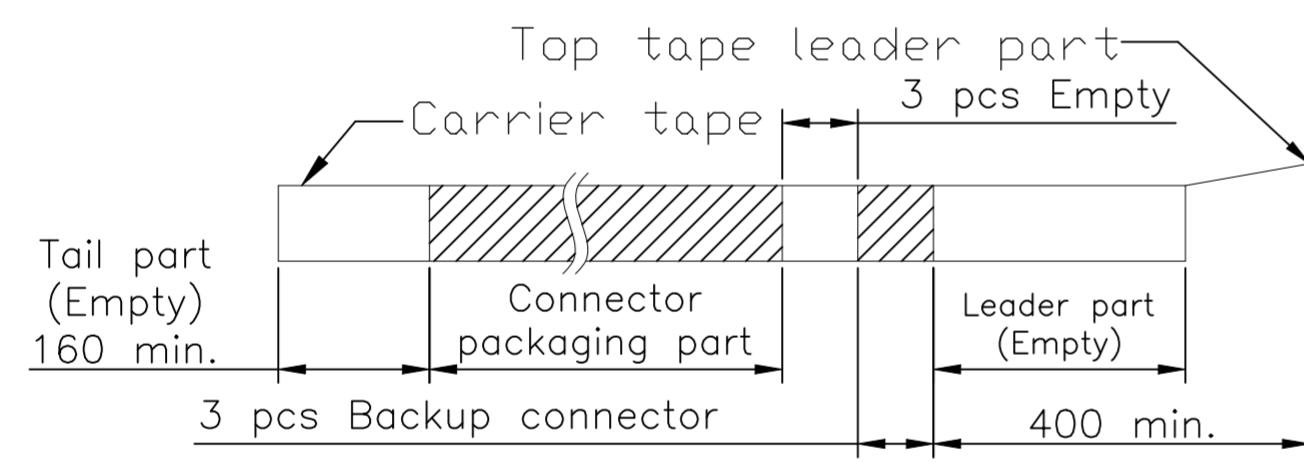
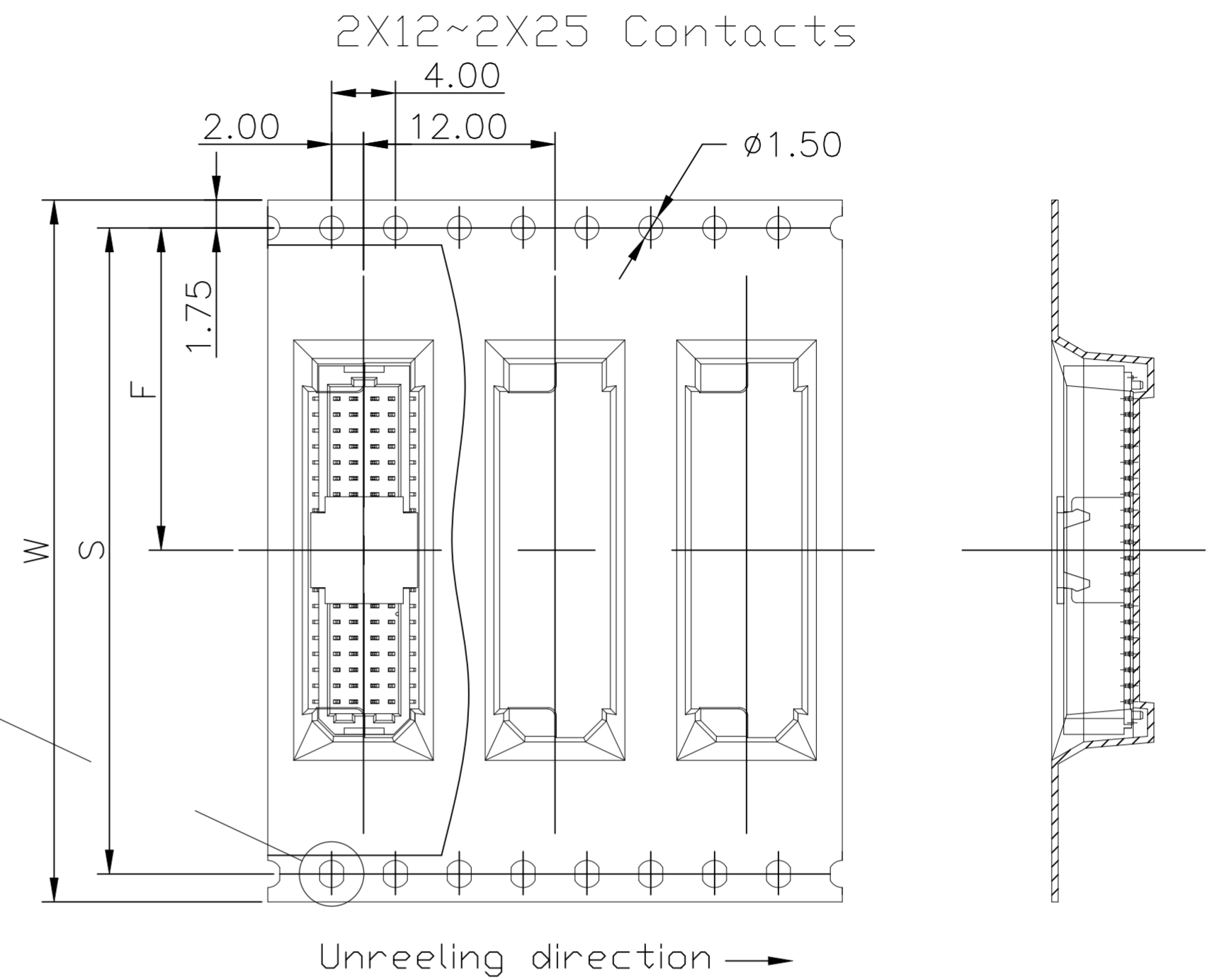
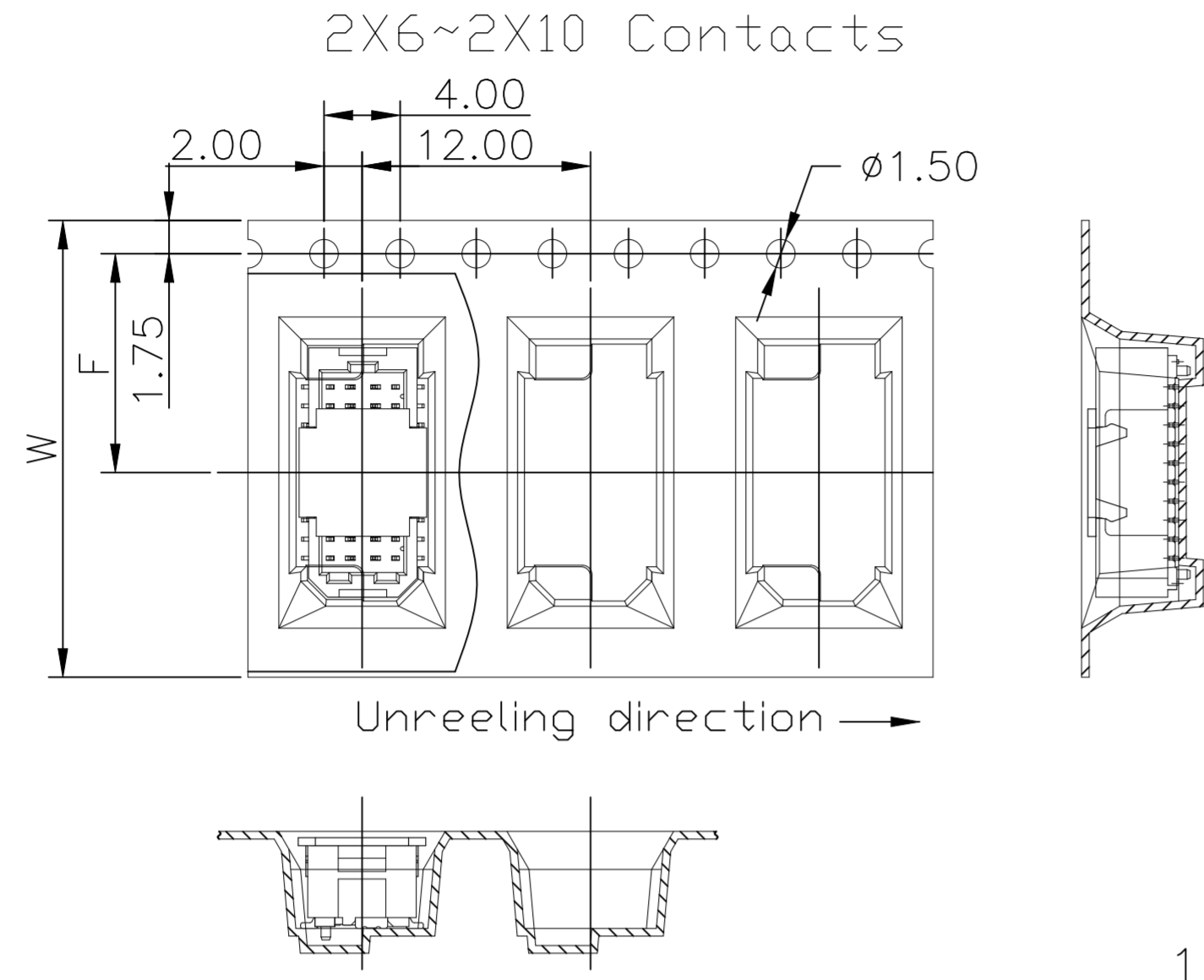
THIS DRAWING IS A CONTROLLED DOCUMENT.		DWN Gowtham 10APR2024		
DIMENSIONS: mm		CHK GOWTHAM 6-5-2024		
TOLERANCES UNLESS OTHERWISE SPECIFIED:		APVD SATHISH P S 6-5-2024	NAME 1mm PITCH CONNECTOR	
0 PLC ± -		PRODUCT SPEC 108-161430	RESTRICTED TO	
1 PLC ± 0.25		APPLICATION SPEC 114-161064	SIZE A2	CAGE CODE 00779
2 PLC ± 0.15		WEIGHT 0	DRAWING NO C=2484140	SCALE 1:1
3 PLC ± 0.08		SHEET 1 of 4		
4 PLC ± -		REV B		
ANGLES ± 2°		CUSTOMER DRAWING		
FINISH		SCALE 1:1 SHEET 1 of 4 REV B		

P	LTR	DESCRIPTION	DATE	DWN	APVD
-	-	SEE SHEET 1	-	-	-



THIS DRAWING IS A CONTROLLED DOCUMENT.		DWN Gowtham 10APR2024	TE Connectivity		
DIMENSIONS: mm		CHK GOWTHAM 6-5-2024			
TOLERANCES UNLESS OTHERWISE SPECIFIED:		APVD SATHISH P S 6-5-2024	NAME 1mm PITCH CONNECTOR		
<ul style="list-style-type: none"> <li>0 PLC ± -</li> <li>1 PLC ± 0.25</li> <li>2 PLC ± 0.15</li> <li>3 PLC ± 0.08</li> <li>4 PLC ± -</li> <li>ANGLES ± 2°</li> </ul>		PRODUCT SPEC 108-161430	RESTRICTED TO		
MATERIAL		FINISH	SIZE A2	CAGE CODE 00779	DRAWING NO C=2484140
-		-	WEIGHT 0	SCALE 1:1	SHEET 2 of 4
CUSTOMER DRAWING			REV B		

P	LTR	DESCRIPTION	DATE	DWN	APVD
-	-	SEE SHEET 1	-	-	-

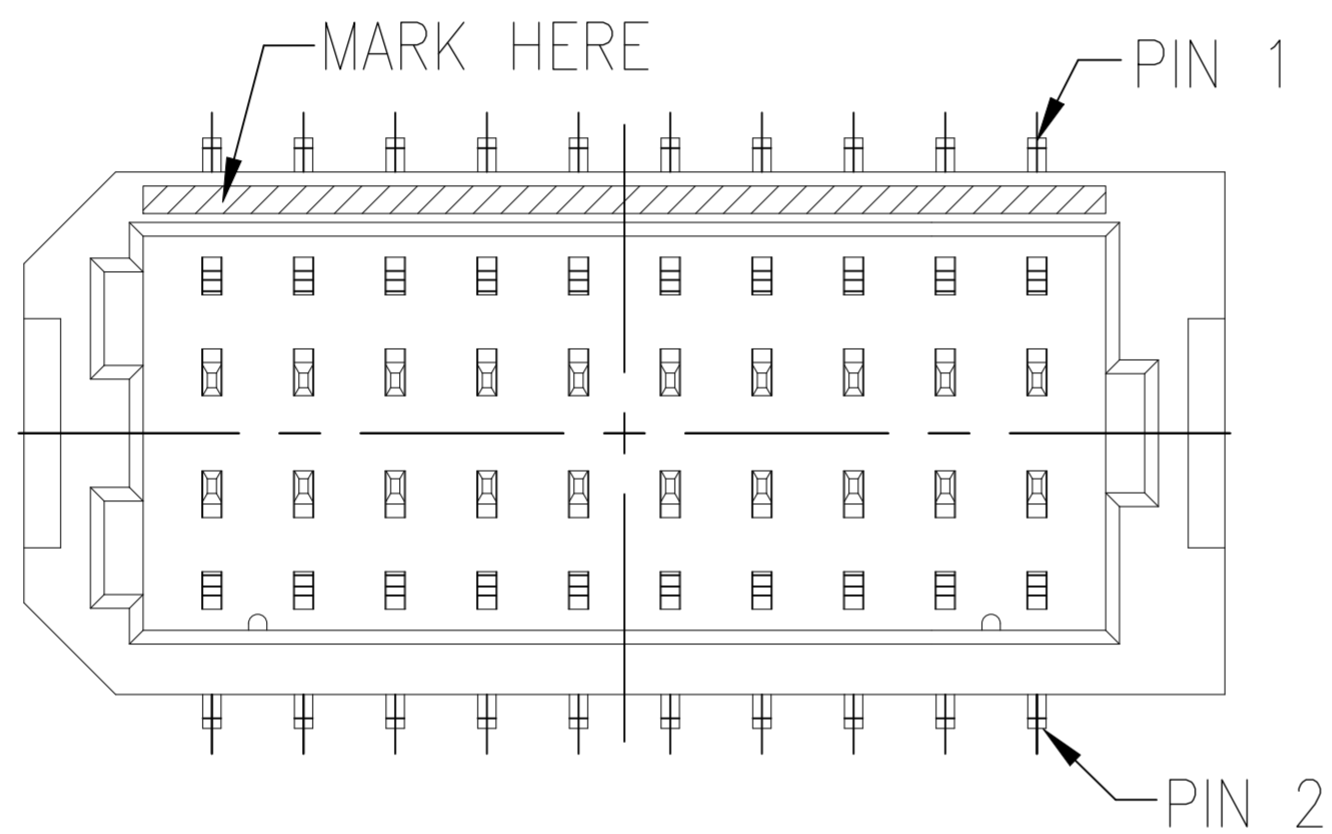


Number of Contacts	W±0.3	F±0.1	S±0.1	pcs/Reel	pcs/Reel
2X6P~2X10P	24	11.5		1000pcs	10000
2X12P	32	14.2	28.4	1000pcs	8000
2X20P~2X25P	44	20.2	40.4	1000pcs	6000

THIS DRAWING IS A CONTROLLED DOCUMENT.		DWN Gowtham 10APR2024	TE Connectivity	
DIMENSIONS: mm		CHK GOWTHAM 6-5-2024		
TOLERANCES UNLESS OTHERWISE SPECIFIED:		APVD SATHISH P S 6-5-2024	NAME 1mm PITCH CONNECTOR	
0 PLC ± - 1 PLC ± 0.25 2 PLC ± 0.15 3 PLC ± 0.08 4 PLC ± - ANGLES ± 2°		PRODUCT SPEC 108-161430	SIZE A2	
MATERIAL		APPLICATION SPEC 114-161064	CAGE CODE 00779	DRAWING NO C=2484140
FINISH		WEIGHT 0	RESTRICTED TO -	
CUSTOMER DRAWING			SCALE 1:1	SHEET 3 of 4
			REV B	

REVISIONS				
P	LTR	DESCRIPTION	DATE	APVD
-	-	SEE SHEET 1	-	-

For PN 3-2484140-2



Note:

- PN 3-2484140-2 is same as 2-2484140-2
- Add a visibility mark in RED color in area shown
- No other changes

THIS DRAWING IS A CONTROLLED DOCUMENT.		DWN Gowtham 10APR2024	<b>TE</b> TE Connectivity	
DIMENSIONS: mm		CHK GOWTHAM 6-5-2024		
TOLERANCES UNLESS OTHERWISE SPECIFIED:		APVD SATHISH P S 6-5-2024	NAME 1mm PITCH CONNECTOR	
0 PLC ± - 1 PLC ± 0.25 2 PLC ± 0.15 3 PLC ± 0.08 4 PLC ± - ANGLES ± 2°		PRODUCT SPEC 108-161430	RESTRICTED TO -	
MATERIAL -		FINISH -	APPLICATION SPEC 114-161064	SIZE A2
		WEIGHT 0	CAGE CODE 00779	DRAWING NO C=2484140
CUSTOMER DRAWING			SCALE 1:1	SHEET 4 OF 4
				REV B