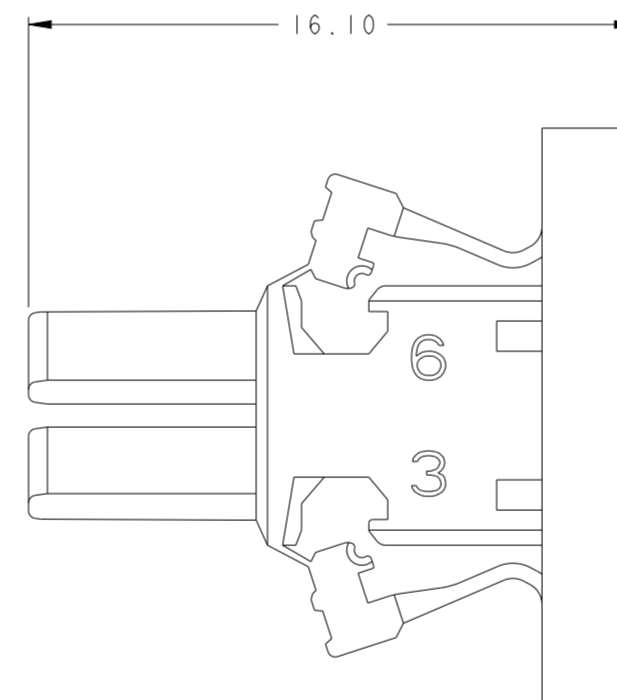
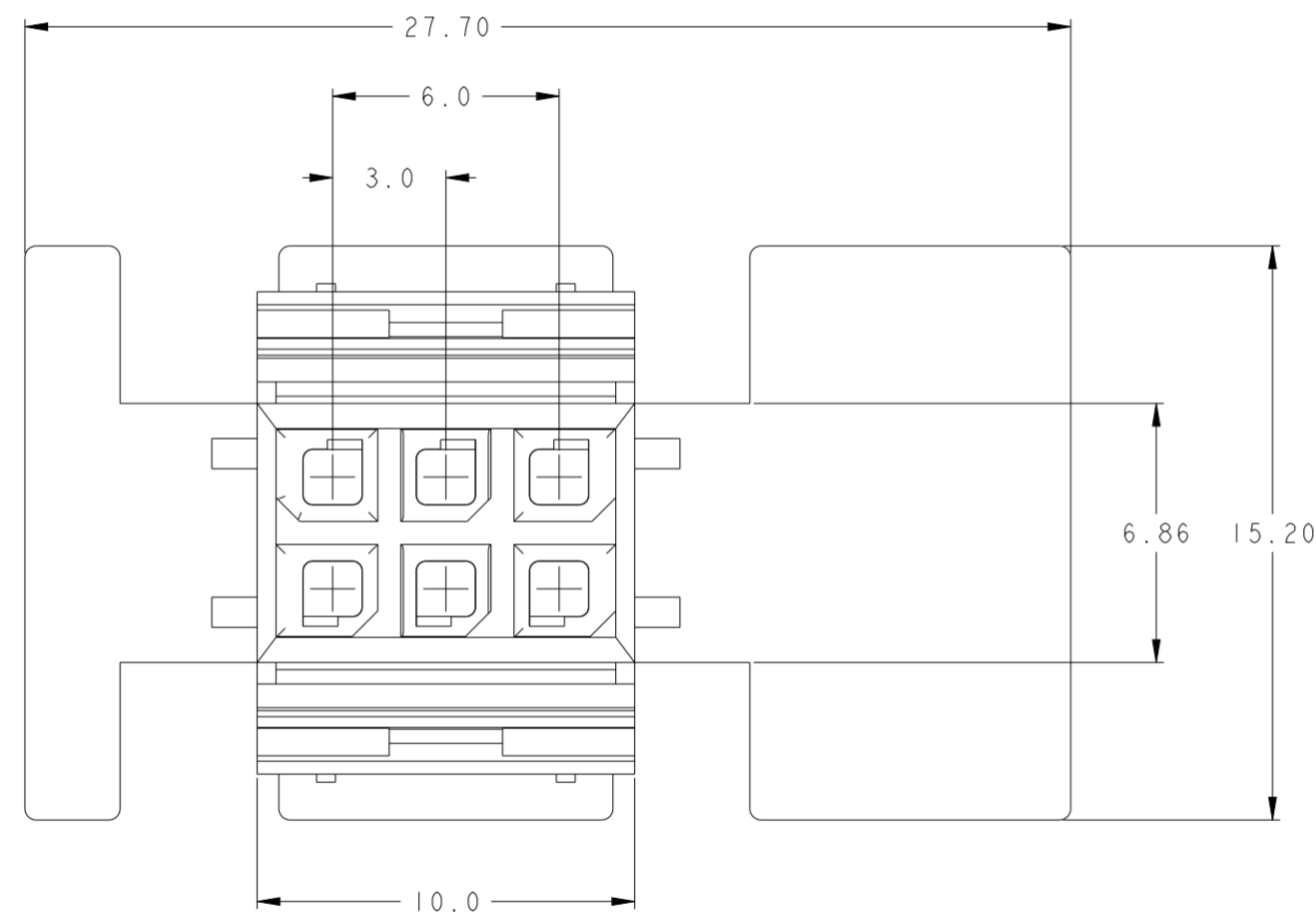
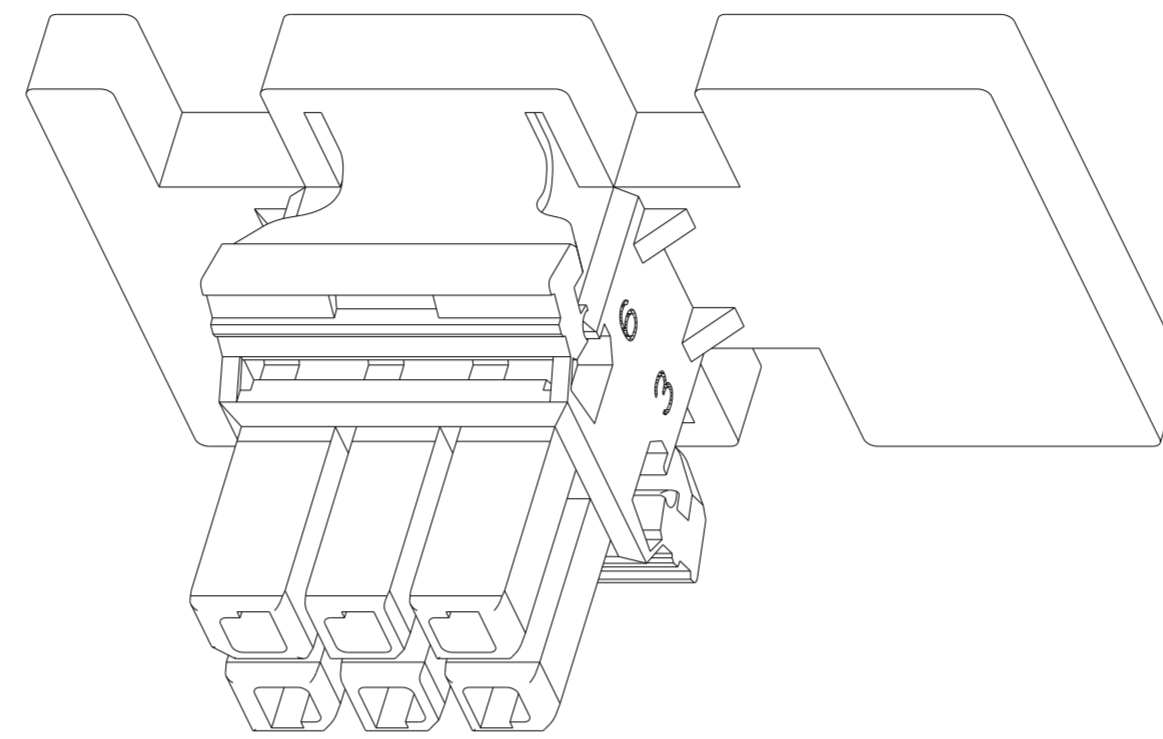
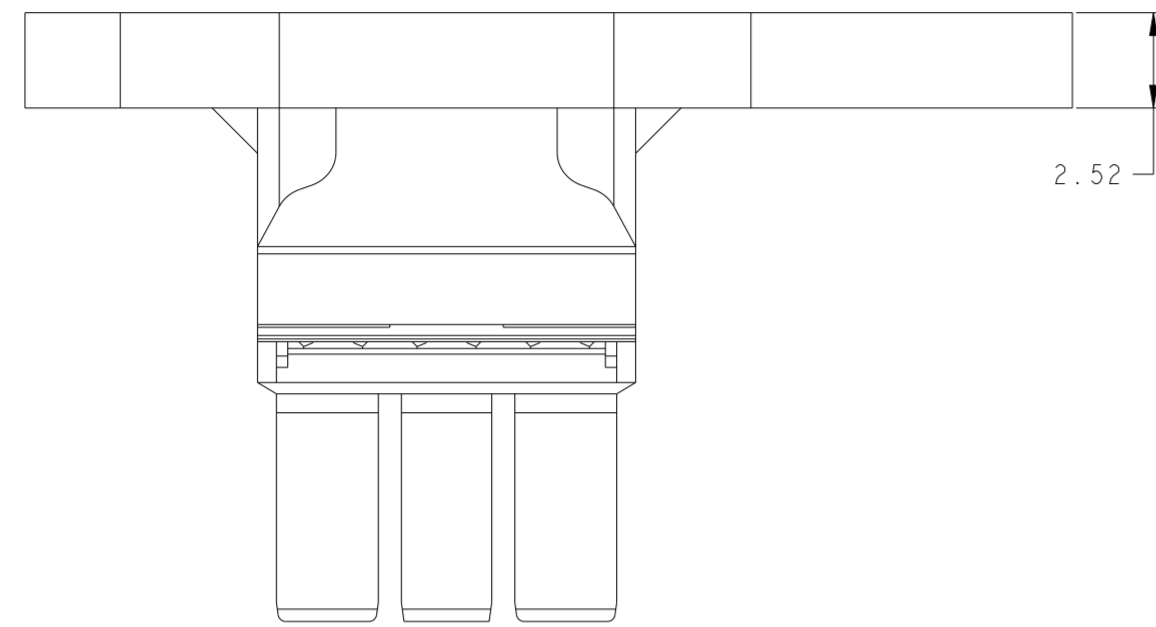



P	LTR	DESCRIPTION	DATE	DWN	APVD
B		REVISED PER ECR-23-192891	21NOV2023	SC	D.Z



NOTES,

1. APPLICABLE TERMINAL PN: 794607-1 (30~26AWG) or 794606-1 (24~20AWG)
2. APPLICABLE MATING PN: 2425487-1

BLACK	6	2425486-1
COLOR	POS.	PART NO.

THIS DRAWING IS A CONTROLLED DOCUMENT.		DWN SC KIM 29AUG2022	 TE Connectivity			
DIMENSIONS: mm		CHK SC KIM 29AUG2022				
TOLERANCES UNLESS OTHERWISE SPECIFIED:		APVD DANIEL ZHANG 29AUG2022	NAME MICRO MNL BLIND MATE HINGED TPA PLUG 6P			
0 PLC ± 1 PLC ± 2 PLC ± ±0.25 3 PLC ± 4 PLC ± ANGLES ± FINISH -		PRODUCT SPEC 108-1836	SIZE A2	CAGE CODE 00779	DRAWING NO. C-2425486	RESTRICTED TO -
MATERIAL PA66 (UL94 V-0)		APPLICATION SPEC 114-13000	WEIGHT -	SCALE 5:1	SHEET 1 OF 1	REV B
CUSTOMER DRAWING						