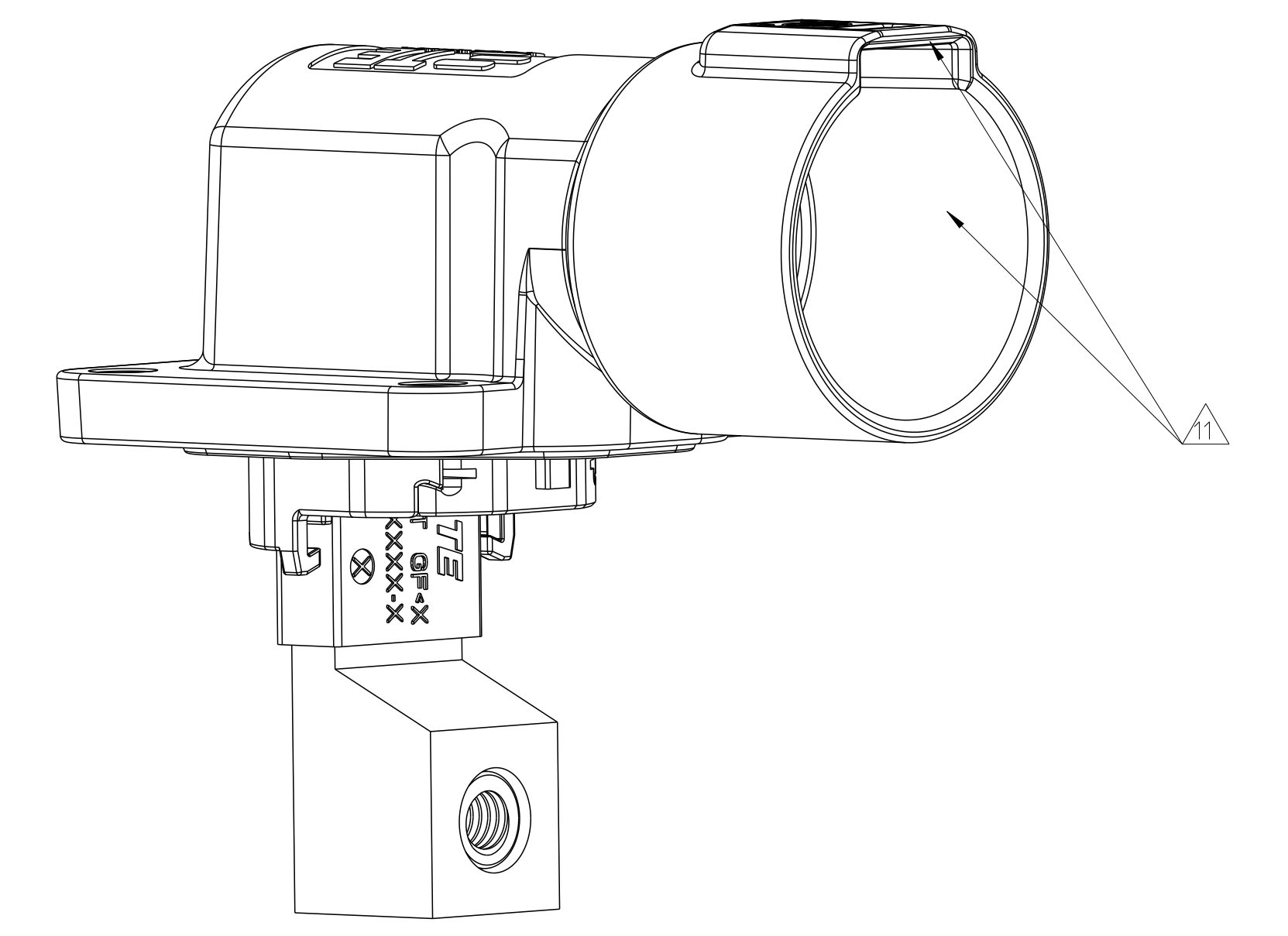
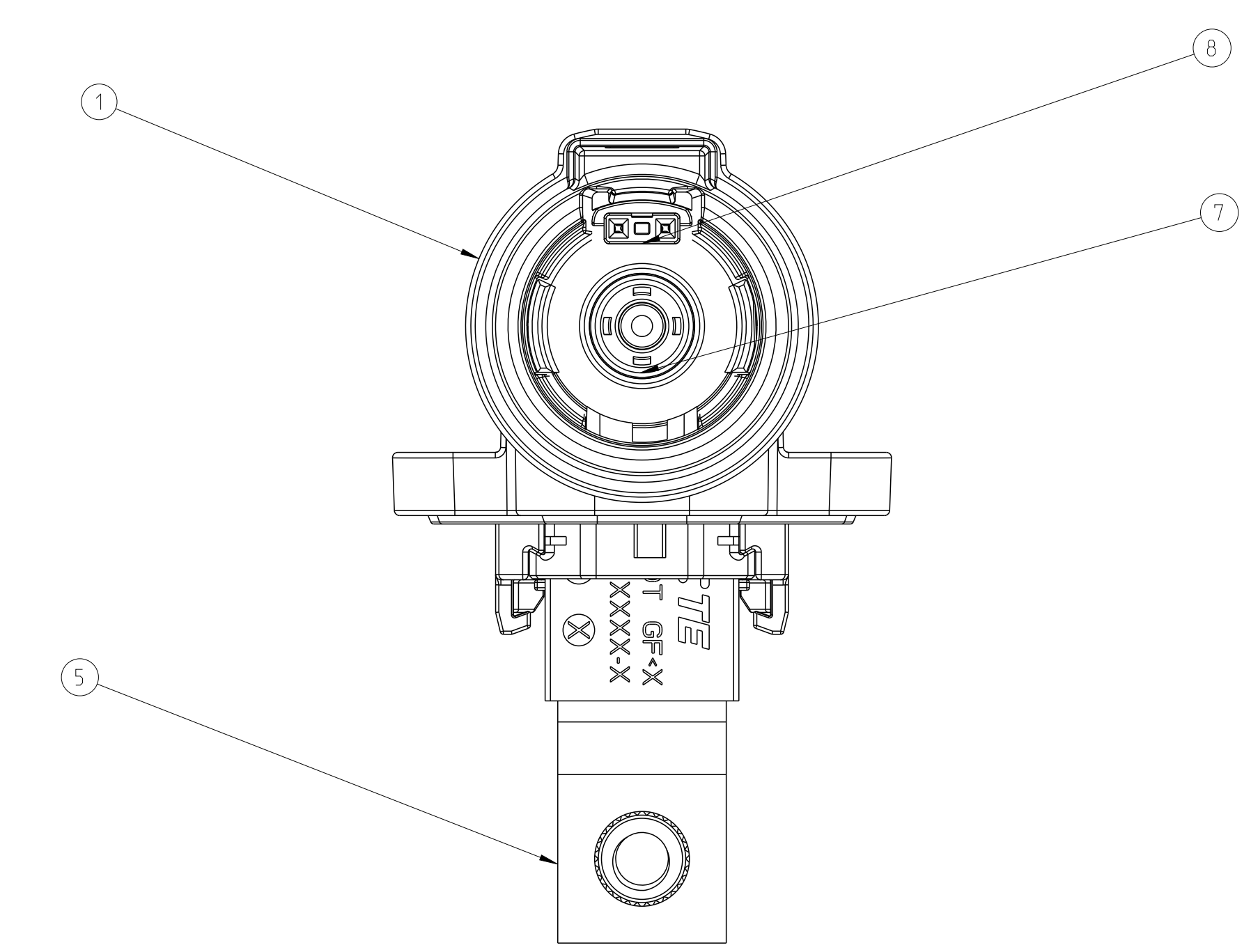
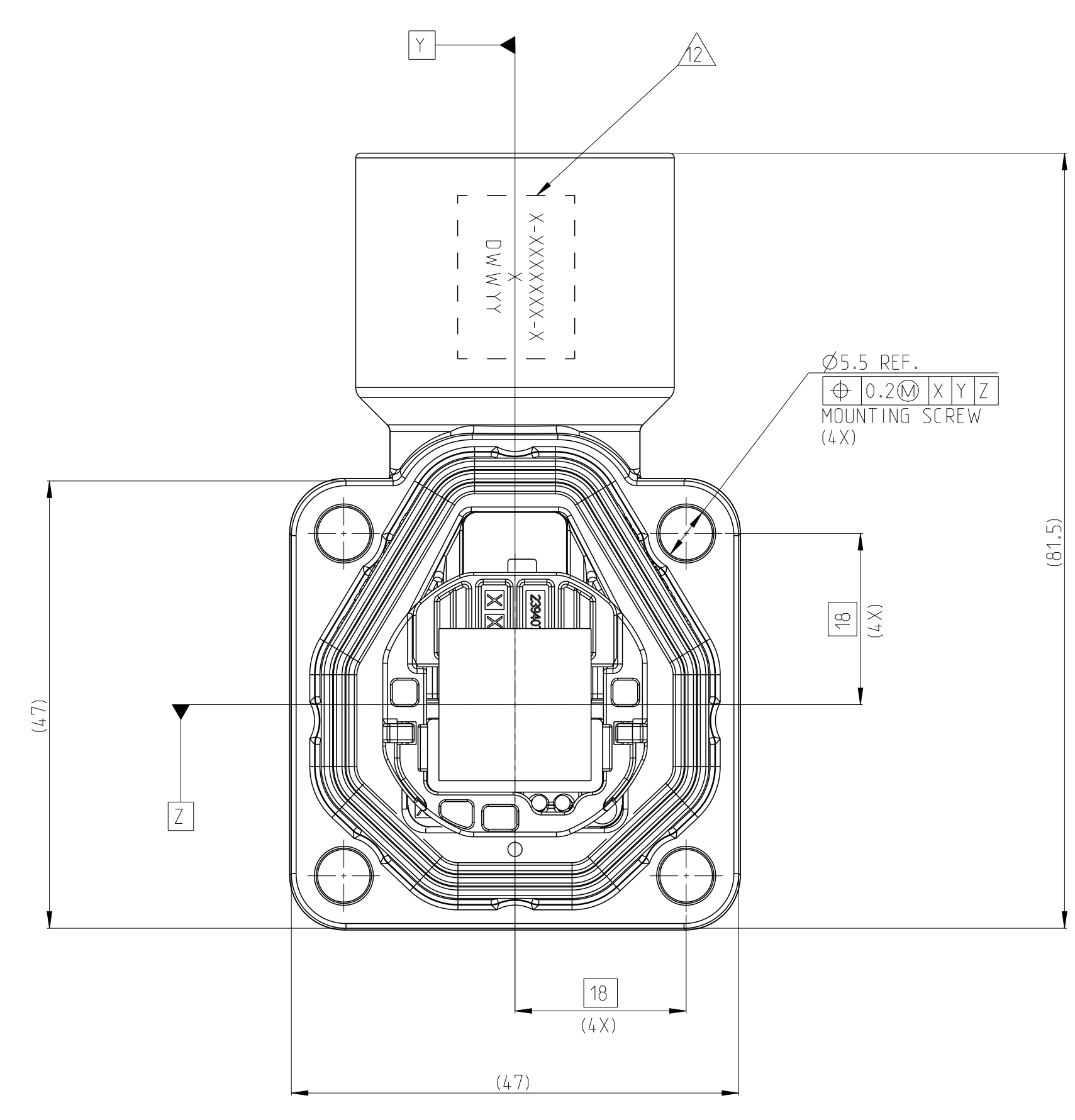
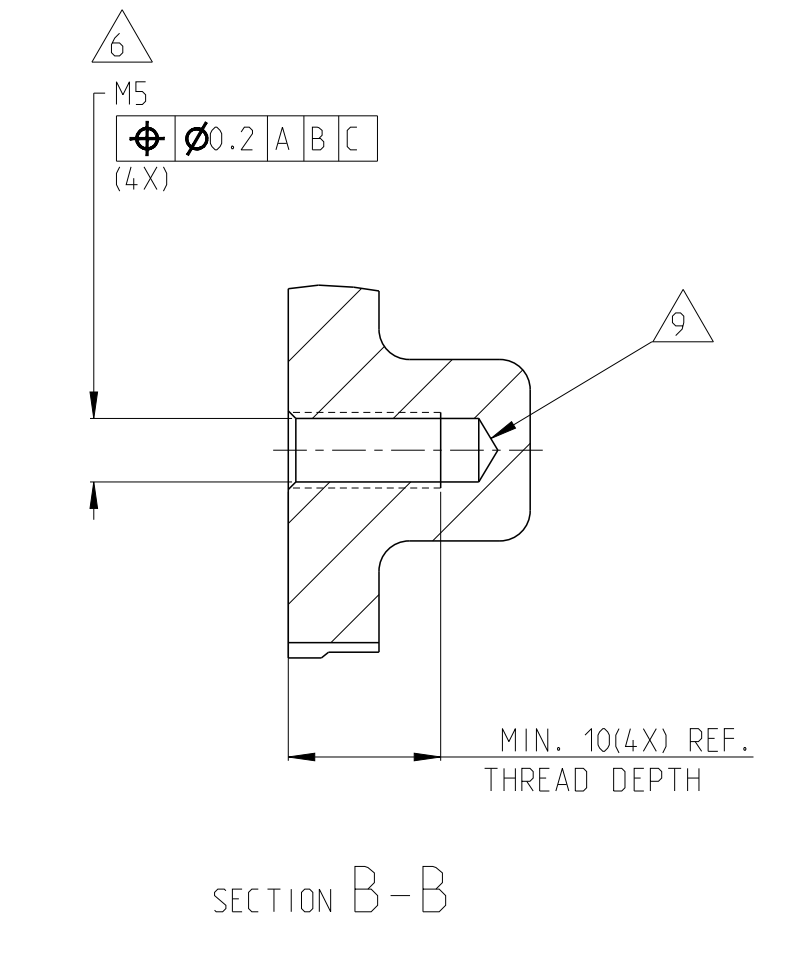
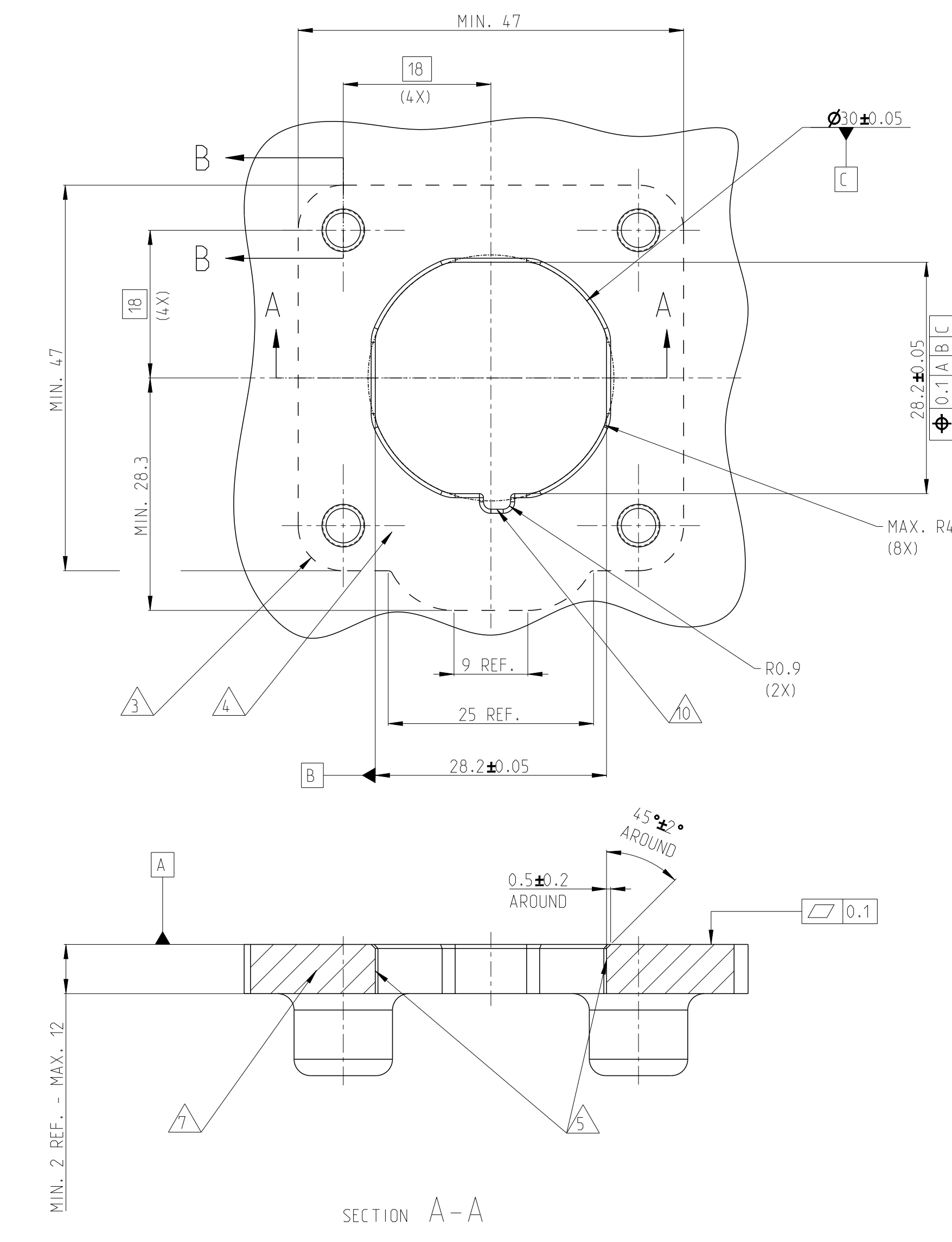
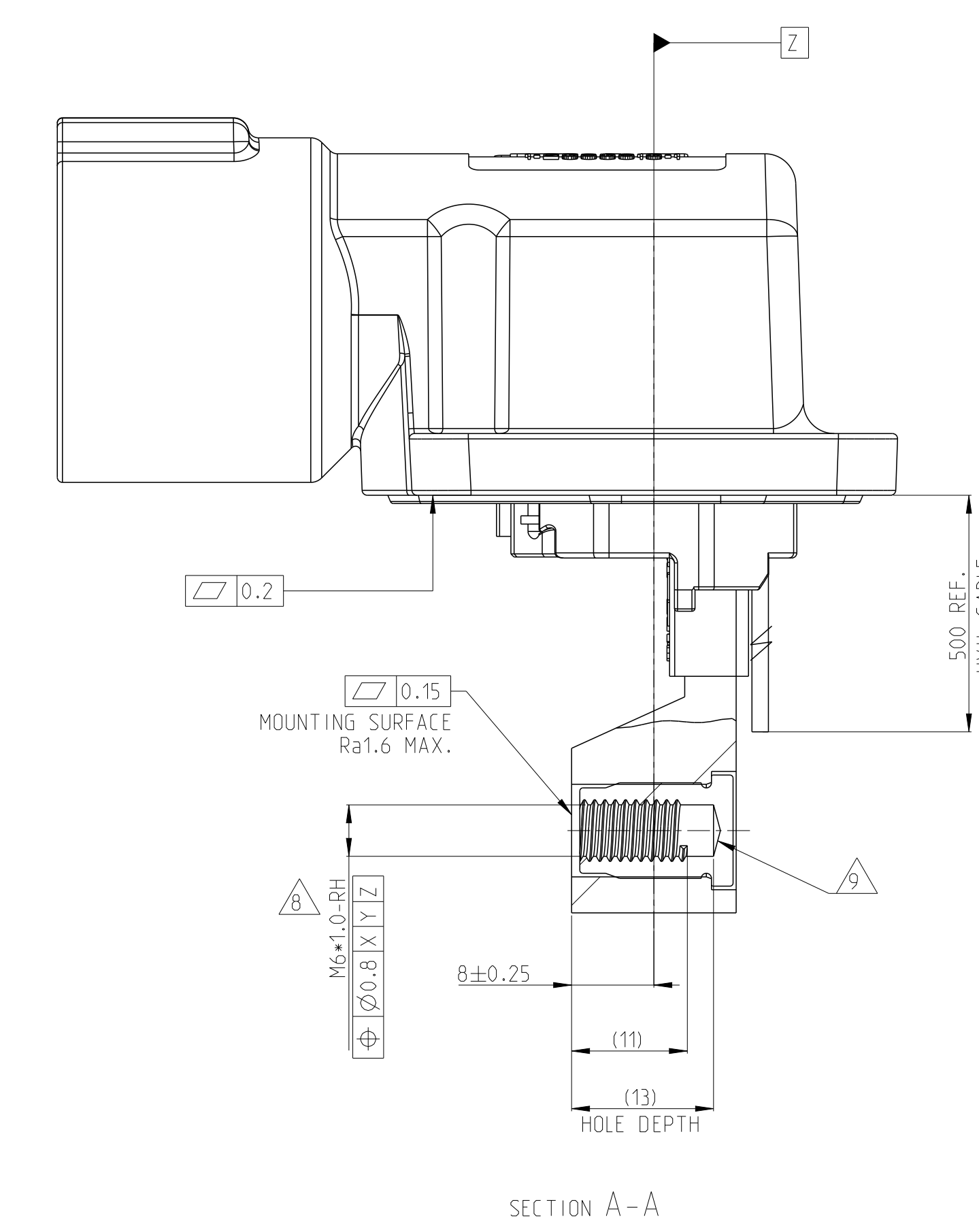
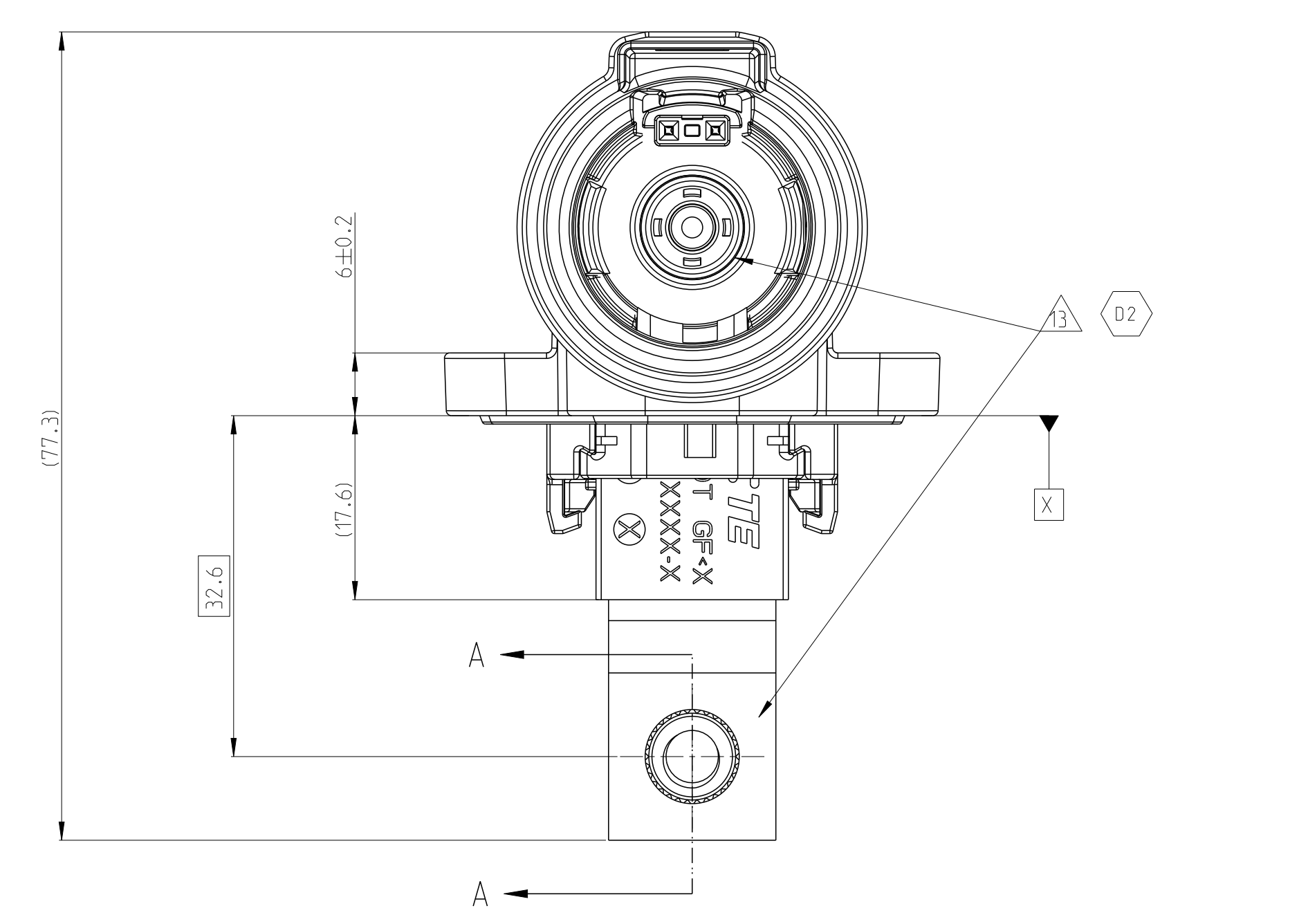
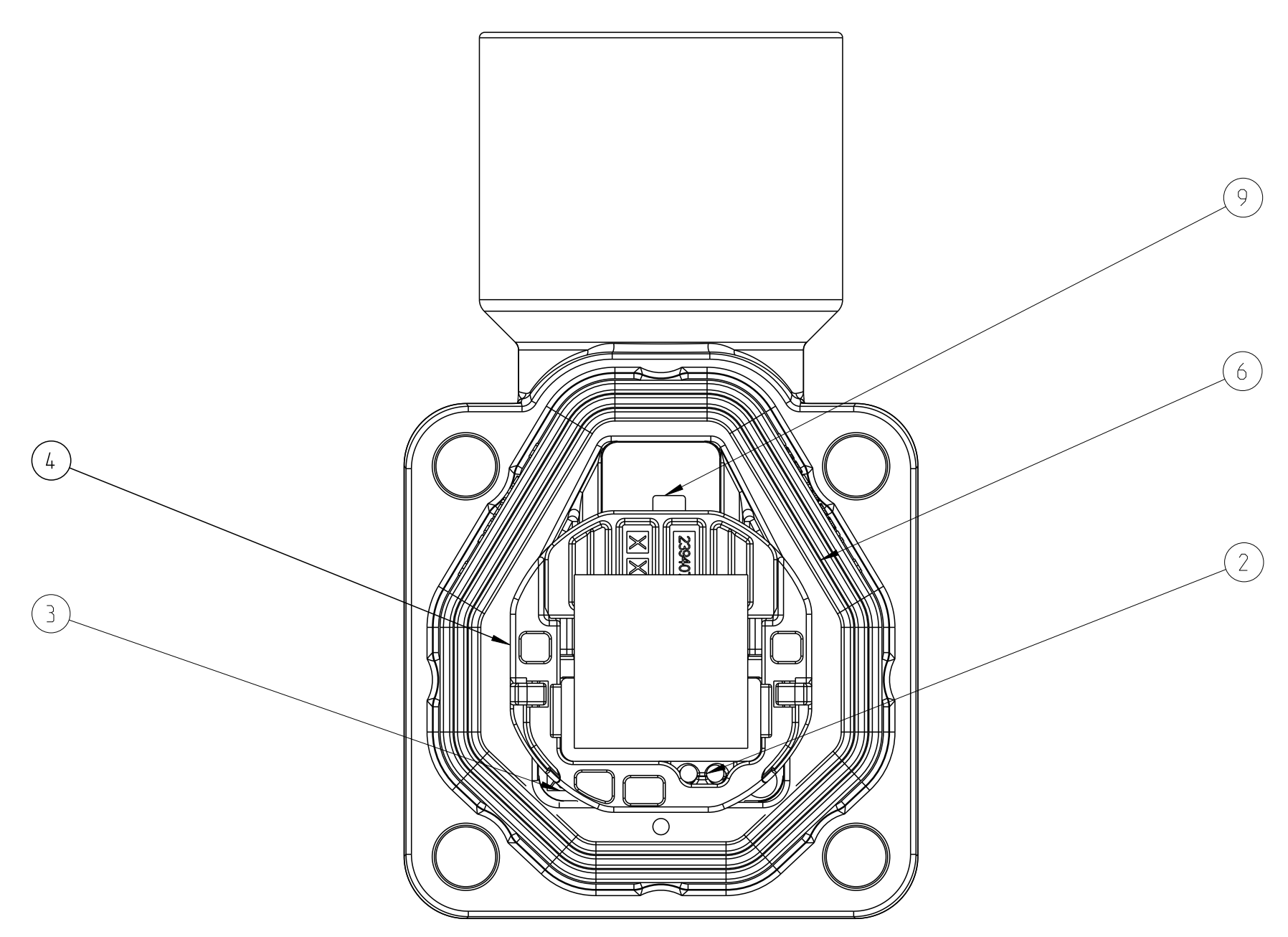


ADAPTER PLATE - HVP-HD1000 1POS HEADER INTERFACE

REVISIONS			
REV	DATE	DESCRIPTION	APPD
C	30SEP2024	HEADLINE CHANGING CHANGED, LUBRICANT ADDED, HVP INFO ADDED	C.C.
D	30SEP2024	FACE DIA. WITHIN TOLERANCE, PLATING POSITION ADDED	C.C.
D1	30SEP2024	ADD PLATING PROCESS HOLE IN THE TOP ORIENTATION OF BUSBAR	S.T.
D2	30SEP2024	PCN-25-240656	S.T.



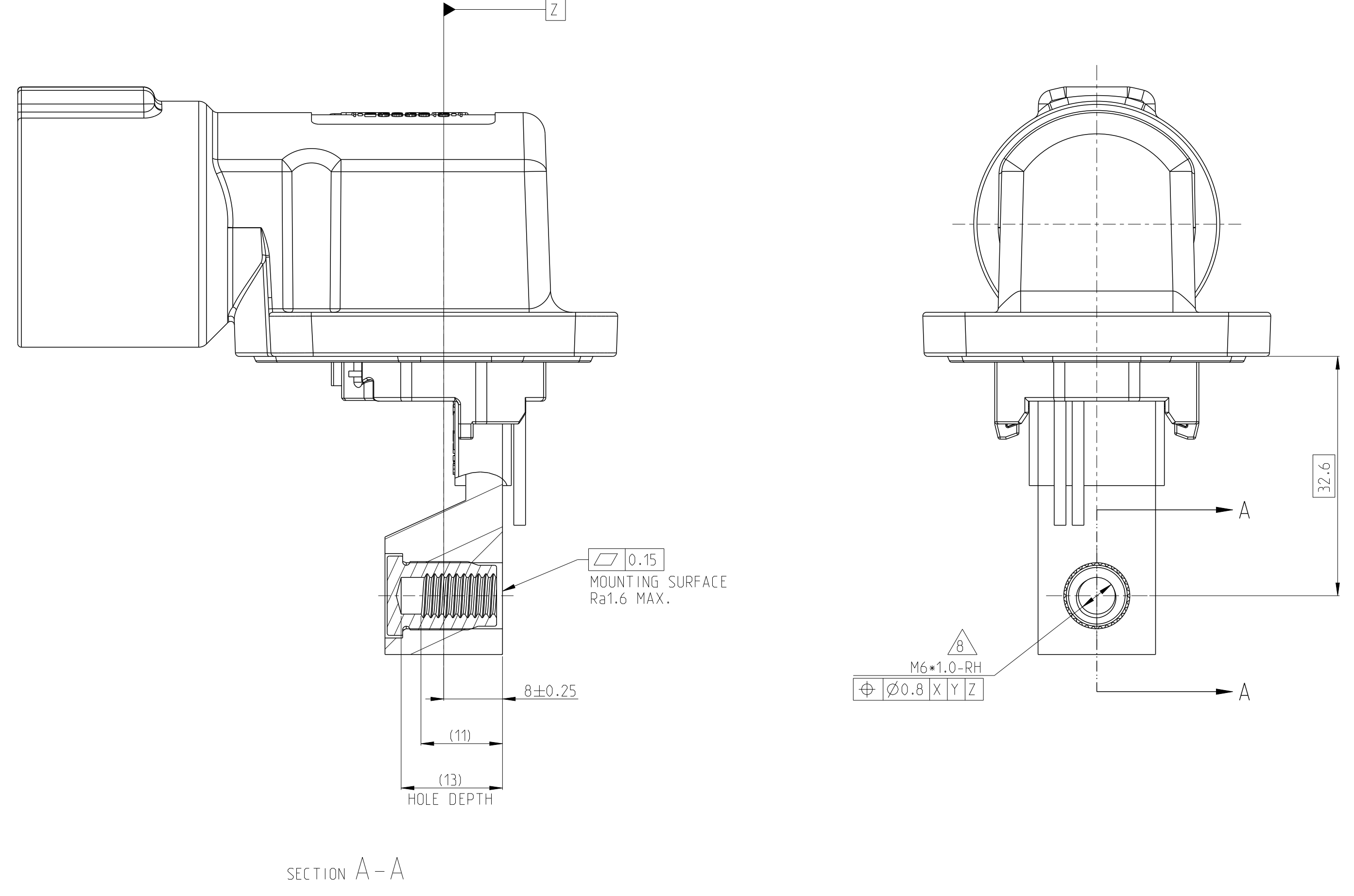
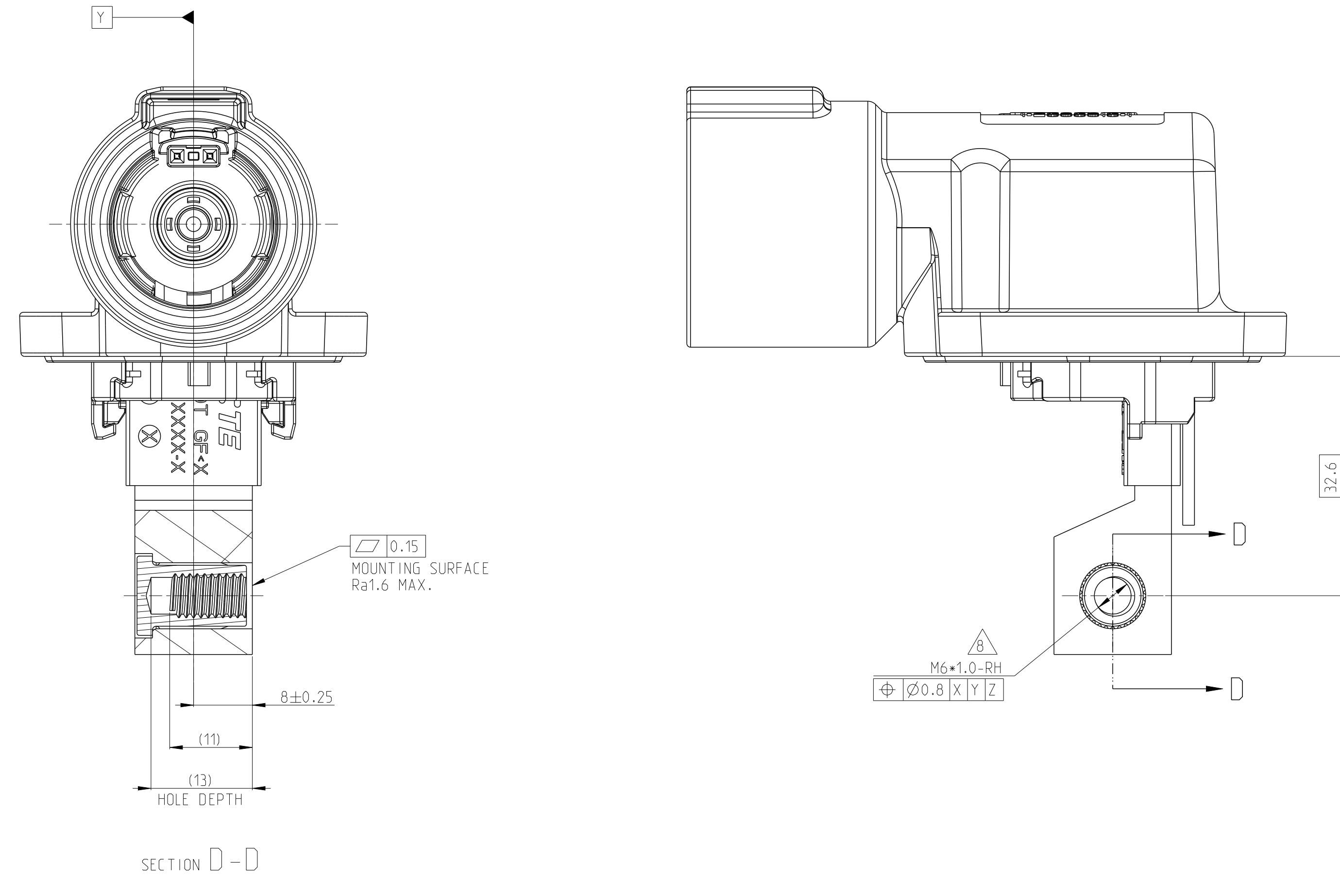
TE-ASSY-NO.	TE REV.	CODE	DESCRIPTION	DESCRIPTION	CODE	MATERIAL	PASSIVATION SURFACE COLOR /TREATMENT	WEIGHT (g)	QTY	ITEM
1-2394070-3	D	M	1POS.PIN DIA 10.0 HDR ASSY.90DEG	CODE HOUSING FOLLOW 2394070-1	M	PA66-GF	AQUA RED	(165)	1	9
1-2394070-2	D	L	1POS.PIN DIA 10.0 HDR ASSY.90DEG	CODE HOUSING FOLLOW 2394070-1	L	PA66-GF	AQUA BROWN	(165)	1	9
1-2394070-1	D	K	1POS.PIN DIA 10.0 HDR ASSY.90DEG	CODE HOUSING FOLLOW 2394070-1	K	PA66-GF	AQUA GREEN	(165)	1	9
2394070-9	D	J	1POS.PIN DIA 10.0 HDR ASSY.90DEG	CODE HOUSING FOLLOW 2394070-1	J	PA66-GF	ORANGE	(165)	1	9
2394070-8	D	H	1POS.PIN DIA 10.0 HDR ASSY.90DEG	CODE HOUSING FOLLOW 2394070-1	H	PA66-GF	YELLOW	(165)	1	9
2394070-7	D	G	1POS.PIN DIA 10.0 HDR ASSY.90DEG	CODE HOUSING FOLLOW 2394070-1	G	PA66-GF	RED	(165)	1	9
2394070-6	D	F	1POS.PIN DIA 10.0 HDR ASSY.90DEG	CODE HOUSING FOLLOW 2394070-1	F	PA66-GF	BROWN	(165)	1	9
2394070-5	D	E	1POS.PIN DIA 10.0 HDR ASSY.90DEG	CODE HOUSING FOLLOW 2394070-1	E	PA66-GF	GREEN	(165)	1	9
2394070-4	D	D	1POS.PIN DIA 10.0 HDR ASSY.90DEG	CODE HOUSING FOLLOW 2394070-1	D	PA66-GF	PURPLE	(165)	1	9
2394070-3	D	C	1POS.PIN DIA 10.0 HDR ASSY.90DEG	CODE HOUSING FOLLOW 2394070-1	C	PA66-GF	BLUE	(165)	1	9
2394070-2	D	B	1POS.PIN DIA 10.0 HDR ASSY.90DEG	CODE HOUSING FOLLOW 2394070-1	B	PA66-GF	NATURE	(165)	1	9
2394070-1	D	A	1POS.PIN DIA 10.0 HDR ASSY.90DEG	CODE HOUSING	A	PA66-GF	BLACK	(165)	1	9
				HEADER TPA	-	PA66-GF	RED		1	8
				FINGER PROTECTION CAP	-	PA66	BLACK		1	7
				FACE SEAL	-	SILICONE	RED		1	6
				ONE PIECE BUSBAR OVERMOLD.FRONT SIDE	-	PA10T MOLDING	BLACK		1	5
				OUTER HOUSING	-	PA66-GF	BLACK		1	4
				INNER HOUSING	-	PA66-GF	BLACK		1	3
				HVIL WIRE (LEWNI MOCAR 180 E 0.550MM WHITE ACCORDING TO LV112) WITH TERMINAL	-	-	WHITE		2	2
				HEADER HOUSING 90DEG.1POS	-	AL-ALLOY	PASSIVATION		1	1



- 1. SUITABLE COUNTERPART OF HVP-HD1000 REFER TO KIT DRAWING OF PLUG PRE ASSY WITH TPA: 2394115 (MECHANICAL) AND 2411905 (EMPT) DRAWING OF PLUG PRE ASSY WITHOUT TPA: 2409547 DRAWING OF TPA: 2394114
- △ CODING VARIANT
- △ MOUNTING SPACE FOR HEADER
- △ SEALING AREA: NO BURR, TOOL PARTING, SHRINKAGE, CAVITIES AND GATE MARKS PERMITTED. SURFACE ROUGHNESS: Ra=1.6
- △ DRAFT ANGLE UP TO 0.5° PERMITTED
- △ MOUNTING SCREW M5 (RECOMMENDED SCREW PLATING: ZINC-NICKEL). SCREW TYPE UP TO MANUFACTURER.
- △ MATERIAL: CORROSION RESISTANT, ELECTROCONDUCTIVE
- △ SCREW M6 FOR BUSBAR CONNECTION
- △ ALL THREAD HOLES ARE BLIND HOLES
- △ INTERFACE PANEL CODE SEE SHEET 5
- △ LUBRICANT APPLIED ON THE RADIAL SEAL AREA AND CPA AREA
- △ ASSEMBLY PN: X-XXXXXX-X
ASSEMBLY REV: X
DATE CODE: DW WYY
- △ ROUND PIN AREA: Ag PLATING
BUSBAR CONNECTION AREA: Ni PLATING

THIS DRAWING IS A CONTROLLED DOCUMENT.		DATE: 26AUG2021	REV: 1	APPD: C.C.
DIMENSIONS: (MM)	TOLERANCES UNLESS OTHERWISE SPECIFIED:	DATE: 26AUG2021	REV: 1	APPD: C.C.
1. FAC ±0.5	2. HOLE ±0.1	3. HOLE ±0.1	4. HOLE ±0.1	5. HOLE ±0.1
6. HOLE ±0.1	7. HOLE ±0.1	8. HOLE ±0.1	9. HOLE ±0.1	10. HOLE ±0.1
MATERIAL: SEE TABLE	WEIGHT: SEE TABLE	SCALE: 1:1	SHEET: 1 OF 5	REV: 02

REVISIONS			
REV	DATE	BY	APPD
1			
SEE SHEET 1			



1.MISSING DIMENSION REFER TO 2394070-1

1.MISSING DIMENSION REFER TO 2394070-1

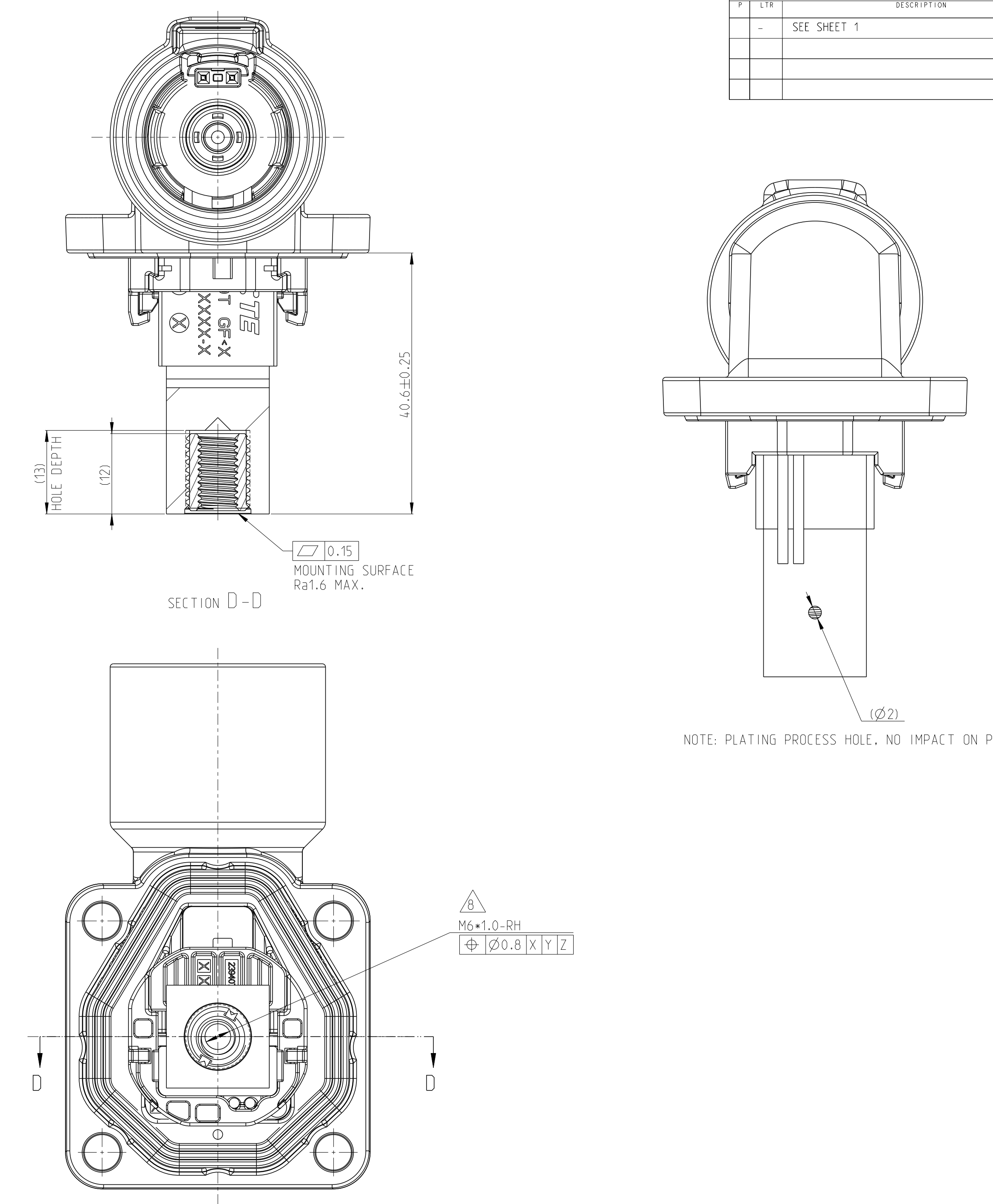
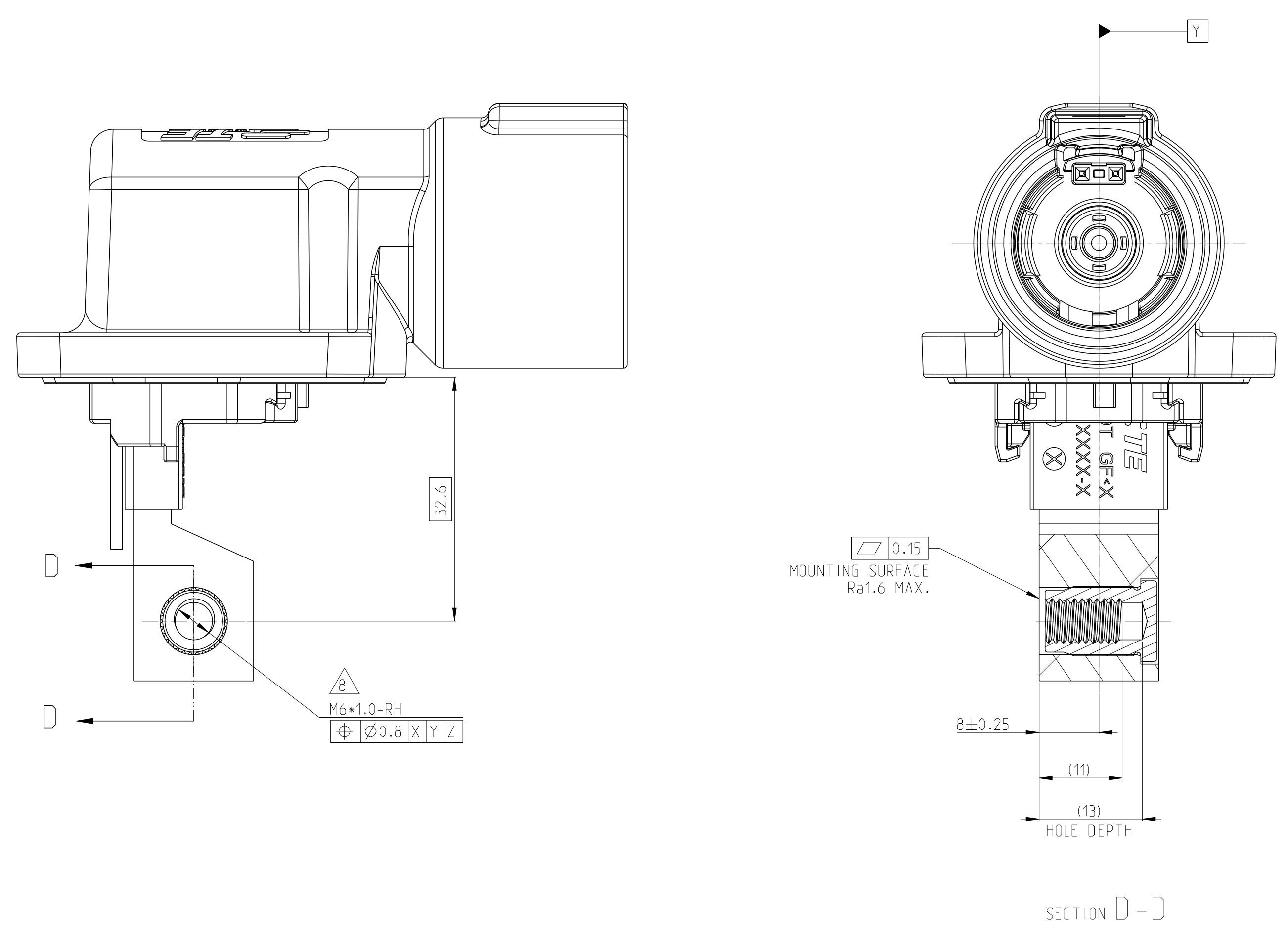
TE-ASSY-NO.	TE REV.	CODE	DESCRIPTION	DESCRIPTION	CODE	MATERIAL	SURFACE COLOR /TREATMENT	WEIGHT (g)	QTY	ITEM
3-2394070-3	D	M	1POS.PIN DIA 10.0 HDR ASSY.90DEG	CODE HOUSING FOLLOW 2-2394070-1	M	PA66-GF	AQUA RED	(165)	1	9
3-2394070-2	D	L	1POS.PIN DIA 10.0 HDR ASSY.90DEG	CODE HOUSING FOLLOW 2-2394070-1	L	PA66-GF	AQUA BROWN	(165)	1	9
3-2394070-1	D	K	1POS.PIN DIA 10.0 HDR ASSY.90DEG	CODE HOUSING FOLLOW 2-2394070-1	K	PA66-GF	AQUA GREEN	(165)	1	9
2-2394070-9	D	J	1POS.PIN DIA 10.0 HDR ASSY.90DEG	CODE HOUSING FOLLOW 2-2394070-1	J	PA66-GF	ORANGE	(165)	1	9
2-2394070-8	D	H	1POS.PIN DIA 10.0 HDR ASSY.90DEG	CODE HOUSING FOLLOW 2-2394070-1	H	PA66-GF	YELLOW	(165)	1	9
2-2394070-7	D	G	1POS.PIN DIA 10.0 HDR ASSY.90DEG	CODE HOUSING FOLLOW 2-2394070-1	G	PA66-GF	RED	(165)	1	9
2-2394070-6	D	F	1POS.PIN DIA 10.0 HDR ASSY.90DEG	CODE HOUSING FOLLOW 2-2394070-1	F	PA66-GF	BROWN	(165)	1	9
2-2394070-5	D	E	1POS.PIN DIA 10.0 HDR ASSY.90DEG	CODE HOUSING FOLLOW 2-2394070-1	E	PA66-GF	GREEN	(165)	1	9
2-2394070-4	D	D	1POS.PIN DIA 10.0 HDR ASSY.90DEG	CODE HOUSING FOLLOW 2-2394070-1	D	PA66-GF	PURPLE	(165)	1	9
2-2394070-3	D	C	1POS.PIN DIA 10.0 HDR ASSY.90DEG	CODE HOUSING FOLLOW 2-2394070-1	C	PA66-GF	BLUE	(165)	1	9
2-2394070-2	D	B	1POS.PIN DIA 10.0 HDR ASSY.90DEG	CODE HOUSING FOLLOW 2-2394070-1	B	PA66-GF	NATURE	(165)	1	9
2-2394070-1	D	A	1POS.PIN DIA 10.0 HDR ASSY.90DEG	CODE HOUSING	A	PA66-GF	BLACK	(165)	1	9
				HEADER TPA	-	PA66-GF	RED		1	8
				FINGER PROTECTION CAP	-	PA66	BLACK		1	7
				FACE SEAL	-	SILICONE	RED		1	6
				ONE PIECE BUSBAR OVERMOLD.RIGHT SIDE	-	PA10T MOLDING	BLACK		1	5
				OUTER HOUSING	-	PA66-GF	BLACK		1	4
				INNER HOUSING	-	PA66-GF	BLACK		1	3
				HVIL WIRE (LEONI) MOLAR 180 F 0.550MM. WHITE ACCORDING TO LV112) WITH TERMINAL	-	-	-		2	2
HEADER HOUSING 90DEG.1POS	-	AL-ALLOY	PASSIVATION	1	1					

TE-ASSY-NO.	TE REV.	CODE	DESCRIPTION	DESCRIPTION	CODE	MATERIAL	SURFACE COLOR /TREATMENT	WEIGHT (g)	QTY	ITEM
5-2394070-3	D	M	1POS.PIN DIA 10.0 HDR ASSY.90DEG	CODE HOUSING FOLLOW 4-2394070-1	M	PA66-GF	AQUA RED	(165)	1	9
5-2394070-2	D	L	1POS.PIN DIA 10.0 HDR ASSY.90DEG	CODE HOUSING FOLLOW 4-2394070-1	L	PA66-GF	AQUA BROWN	(165)	1	9
5-2394070-1	D	K	1POS.PIN DIA 10.0 HDR ASSY.90DEG	CODE HOUSING FOLLOW 4-2394070-1	K	PA66-GF	AQUA GREEN	(165)	1	9
4-2394070-9	D	J	1POS.PIN DIA 10.0 HDR ASSY.90DEG	CODE HOUSING FOLLOW 4-2394070-1	J	PA66-GF	ORANGE	(165)	1	9
4-2394070-8	D	H	1POS.PIN DIA 10.0 HDR ASSY.90DEG	CODE HOUSING FOLLOW 4-2394070-1	H	PA66-GF	YELLOW	(165)	1	9
4-2394070-7	D	G	1POS.PIN DIA 10.0 HDR ASSY.90DEG	CODE HOUSING FOLLOW 4-2394070-1	G	PA66-GF	RED	(165)	1	9
4-2394070-6	D	F	1POS.PIN DIA 10.0 HDR ASSY.90DEG	CODE HOUSING FOLLOW 4-2394070-1	F	PA66-GF	BROWN	(165)	1	9
4-2394070-5	D	E	1POS.PIN DIA 10.0 HDR ASSY.90DEG	CODE HOUSING FOLLOW 4-2394070-1	E	PA66-GF	GREEN	(165)	1	9
4-2394070-4	D	D	1POS.PIN DIA 10.0 HDR ASSY.90DEG	CODE HOUSING FOLLOW 4-2394070-1	D	PA66-GF	PURPLE	(165)	1	9
4-2394070-3	D	C	1POS.PIN DIA 10.0 HDR ASSY.90DEG	CODE HOUSING FOLLOW 4-2394070-1	C	PA66-GF	BLUE	(165)	1	9
4-2394070-2	D	B	1POS.PIN DIA 10.0 HDR ASSY.90DEG	CODE HOUSING FOLLOW 4-2394070-1	B	PA66-GF	NATURE	(165)	1	9
4-2394070-1	D	A	1POS.PIN DIA 10.0 HDR ASSY.90DEG	CODE HOUSING	A	PA66-GF	BLACK	(165)	1	9
				HEADER TPA	-	PA66-GF	RED		1	8
				FINGER PROTECTION CAP	-	PA66	BLACK		1	7
				FACE SEAL	-	SILICONE	RED		1	6
				ONE PIECE BUSBAR OVERMOLD.BACK SIDE	-	PA10T MOLDING	BLACK		1	5
				OUTER HOUSING	-	PA66-GF	BLACK		1	4
				INNER HOUSING	-	PA66-GF	BLACK		1	3
				HVIL WIRE (LEONI) MOLAR 180 F 0.550MM. WHITE ACCORDING TO LV112) WITH TERMINAL	-	-	-		2	2
HEADER HOUSING 90DEG.1POS	-	AL-ALLOY	PASSIVATION	1	1					

THIS DRAWING IS A CONTROLLED DOCUMENT. DATE: 26AUG2021. DIMENSIONS: SEE TABLE. MATERIAL: SEE TABLE. CUSTOMER DRAWING. SCALE: 2:1. SHEET 2 OF 5. REV D2.

TE Connectivity. 1POS.PIN DIA 10.0 HDR ASSY.90DEG HVP-HD1000. SITE: A0. CASE CODE: 00779. DRAWING NO: 2394070. RESTRICTED TO: -.

REVISIONS			
REV	DATE	BY	APPD
1	26 AUG 2021	SHI	LL
2	26 AUG 2021	LL	LL
3	26 AUG 2021	LL	LL



TE-ASSY-NO.	TE REV.	CODE	DESCRIPTION	DESCRIPTION	CODE	MATERIAL	SURFACE COLOR/TREATMENT	WEIGHT (g)	QTY	ITEM
7-2394070-3	D	M	1POS,PIN DIA 10.0 HDR ASSY.90DEG	CODE HOUSING FOLLOW 6-2394070-1	M	PA66-GF	AQUA RED	(165)	1	9
7-2394070-2	D	L	1POS,PIN DIA 10.0 HDR ASSY.90DEG	CODE HOUSING FOLLOW 6-2394070-1	L	PA66-GF	AQUA BROWN	(165)	1	9
7-2394070-1	D	K	1POS,PIN DIA 10.0 HDR ASSY.90DEG	CODE HOUSING FOLLOW 6-2394070-1	K	PA66-GF	AQUA GREEN	(165)	1	9
6-2394070-9	D	J	1POS,PIN DIA 10.0 HDR ASSY.90DEG	CODE HOUSING FOLLOW 6-2394070-1	J	PA66-GF	ORANGE	(165)	1	9
6-2394070-8	D	H	1POS,PIN DIA 10.0 HDR ASSY.90DEG	CODE HOUSING FOLLOW 6-2394070-1	H	PA66-GF	YELLOW	(165)	1	9
6-2394070-7	D	G	1POS,PIN DIA 10.0 HDR ASSY.90DEG	CODE HOUSING FOLLOW 6-2394070-1	G	PA66-GF	RED	(165)	1	9
6-2394070-6	D	F	1POS,PIN DIA 10.0 HDR ASSY.90DEG	CODE HOUSING FOLLOW 6-2394070-1	F	PA66-GF	BROWN	(165)	1	9
6-2394070-5	D	E	1POS,PIN DIA 10.0 HDR ASSY.90DEG	CODE HOUSING FOLLOW 6-2394070-1	E	PA66-GF	GREEN	(165)	1	9
6-2394070-4	D	D	1POS,PIN DIA 10.0 HDR ASSY.90DEG	CODE HOUSING FOLLOW 6-2394070-1	D	PA66-GF	PURPLE	(165)	1	9
6-2394070-3	D	C	1POS,PIN DIA 10.0 HDR ASSY.90DEG	CODE HOUSING FOLLOW 6-2394070-1	C	PA66-GF	BLUE	(165)	1	9
6-2394070-2	D	B	1POS,PIN DIA 10.0 HDR ASSY.90DEG	CODE HOUSING FOLLOW 6-2394070-1	B	PA66-GF	NATURE	(165)	1	9
6-2394070-1	D	A	1POS,PIN DIA 10.0 HDR ASSY.90DEG	CODE HOUSING	A	PA66-GF	BLACK	(165)	1	9
				HEADER TPA	-	PA66-GF	RED		1	8
				FINGER PROTECTION CAP	-	PA66	BLACK		1	7
				FACE SEAL	-	SILICONE	RED		1	6
				ONE PIECE BUSBAR OVERMOLD,LEFT SIDE	-	PA10T MOLDING	BLACK		1	5
				OUTER HOUSING	-	PA66-GF	BLACK		1	4
				INNER HOUSING	-	PA66-GF	BLACK		1	3
				HVIL WIRE (LEONI MOCAR 180 E 0.550MM, WHITE ACCORDING TO LV112) WITH TERMINAL	-	-	-		2	2
HEADER HOUSING 90DEG,1POS	-	AL-ALLOY	PASSIVATION	1	1					

TE-ASSY-NO.	TE REV.	CODE	DESCRIPTION	DESCRIPTION	CODE	MATERIAL	SURFACE COLOR/TREATMENT	WEIGHT (g)	QTY	ITEM
9-2394070-3	D	M	1POS,PIN DIA 10.0 HDR ASSY.90DEG	CODE HOUSING FOLLOW 8-2394070-1	M	PA66-GF	AQUA RED	(165)	1	9
9-2394070-2	D	L	1POS,PIN DIA 10.0 HDR ASSY.90DEG	CODE HOUSING FOLLOW 8-2394070-1	L	PA66-GF	AQUA BROWN	(165)	1	9
9-2394070-1	D	K	1POS,PIN DIA 10.0 HDR ASSY.90DEG	CODE HOUSING FOLLOW 8-2394070-1	K	PA66-GF	AQUA GREEN	(165)	1	9
8-2394070-9	D	J	1POS,PIN DIA 10.0 HDR ASSY.90DEG	CODE HOUSING FOLLOW 8-2394070-1	J	PA66-GF	ORANGE	(165)	1	9
8-2394070-8	D	H	1POS,PIN DIA 10.0 HDR ASSY.90DEG	CODE HOUSING FOLLOW 8-2394070-1	H	PA66-GF	YELLOW	(165)	1	9
8-2394070-7	D	G	1POS,PIN DIA 10.0 HDR ASSY.90DEG	CODE HOUSING FOLLOW 8-2394070-1	G	PA66-GF	RED	(165)	1	9
8-2394070-6	D	F	1POS,PIN DIA 10.0 HDR ASSY.90DEG	CODE HOUSING FOLLOW 8-2394070-1	F	PA66-GF	BROWN	(165)	1	9
8-2394070-5	D	E	1POS,PIN DIA 10.0 HDR ASSY.90DEG	CODE HOUSING FOLLOW 8-2394070-1	E	PA66-GF	GREEN	(165)	1	9
8-2394070-4	D	D	1POS,PIN DIA 10.0 HDR ASSY.90DEG	CODE HOUSING FOLLOW 8-2394070-1	D	PA66-GF	PURPLE	(165)	1	9
8-2394070-3	D	C	1POS,PIN DIA 10.0 HDR ASSY.90DEG	CODE HOUSING FOLLOW 8-2394070-1	C	PA66-GF	BLUE	(165)	1	9
8-2394070-2	D	B	1POS,PIN DIA 10.0 HDR ASSY.90DEG	CODE HOUSING FOLLOW 8-2394070-1	B	PA66-GF	NATURE	(165)	1	9
8-2394070-1	D	A	1POS,PIN DIA 10.0 HDR ASSY.90DEG	CODE HOUSING	A	PA66-GF	BLACK	(165)	1	9
				HEADER TPA	-	PA66-GF	RED		1	8
				FINGER PROTECTION CAP	-	PA66	BLACK		1	7
				FACE SEAL	-	SILICONE	RED		1	6
				ONE PIECE BUSBAR OVERMOLD,TOP SIDE	-	PA10T MOLDING	BLACK		1	5
				OUTER HOUSING	-	PA66-GF	BLACK		1	4
				INNER HOUSING	-	PA66-GF	BLACK		1	3
				HVIL WIRE (LEONI MOCAR 180 E 0.550MM, WHITE ACCORDING TO LV112) WITH TERMINAL	-	-	-		2	2
HEADER HOUSING 90DEG,1POS	-	AL-ALLOY	PASSIVATION	1	1					

THIS DRAWING IS A CONTROLLED DOCUMENT.

DATE: 26 AUG 2021

REV: 1

TE Connectivity

1POS,PIN DIA 10.0 HDR ASSY.90DEG HVP-HD1000

SCALE: 2:1

SHEET 3 OF 5

REV D2

REVISIONS			
REV	DATE	BY	APPV
1			
SEE SHEET 1			

TABLE 5

CODE A	CODE B	CODE C	CODE D
CODE E	CODE F	CODE G	CODE H
CODE J	CODE K	CODE L	CODE M

THIS DRAWING IS A CONTROLLED DOCUMENT.

DATE: 26AUG2021	BY: SHI
DATE: 26AUG2021	CHK: L.L.
DATE: 26AUG2021	APPV: J.VIN

TE Connectivity

1POS. PIN DIA 10.0 HDR ASSY.90DEG
HVP-HD1000

194-160181

SCALE: 2:1

REV: 02

REVISIONS			
REV	DATE	DESCRIPTION	BY
-	-	SEE SHEET 1	-



TABLE 6

CODE A	CODE B	CODE C	CODE D
CODE E	CODE F	CODE G	CODE H
CODE J	CODE K	CODE L	CODE M

THIS DRAWING IS A CONTROLLED DOCUMENT.

DATE: 26AUG2021	BY: N.SHI
DATE: 26AUG2021	CHK: L.L.
DATE: 26AUG2021	APPV: J.VIN

TE Connectivity

1POS.PIN D1A 10.0 HDR ASSY.90DEG
HVP-HD1000

194-160181

SCALE: 2:1

SHEET 5 OF 5

REV D2