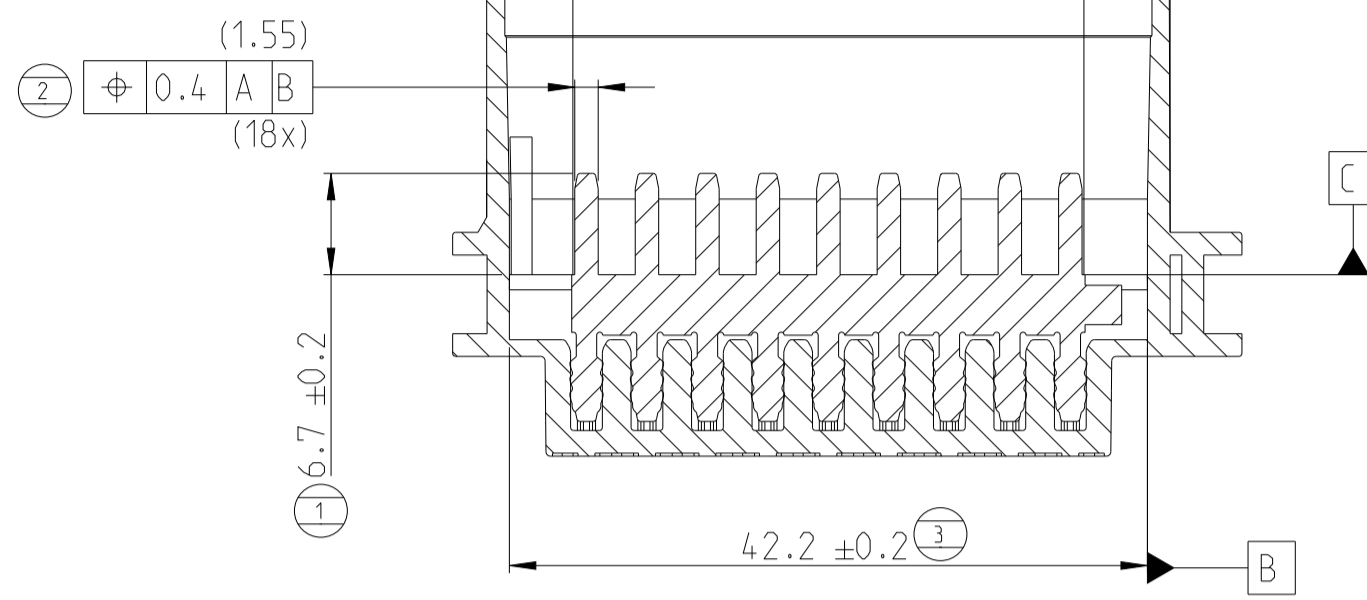
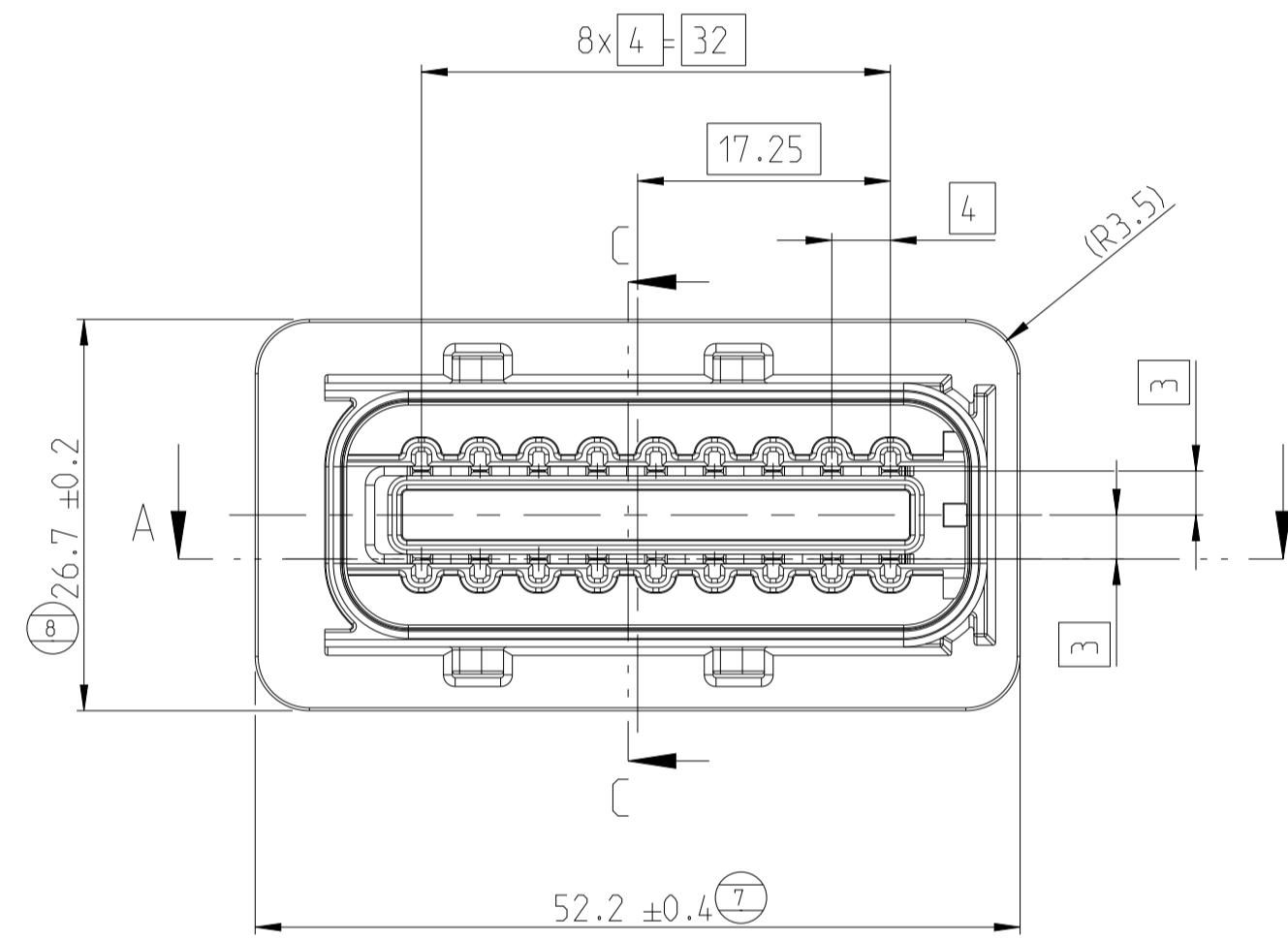
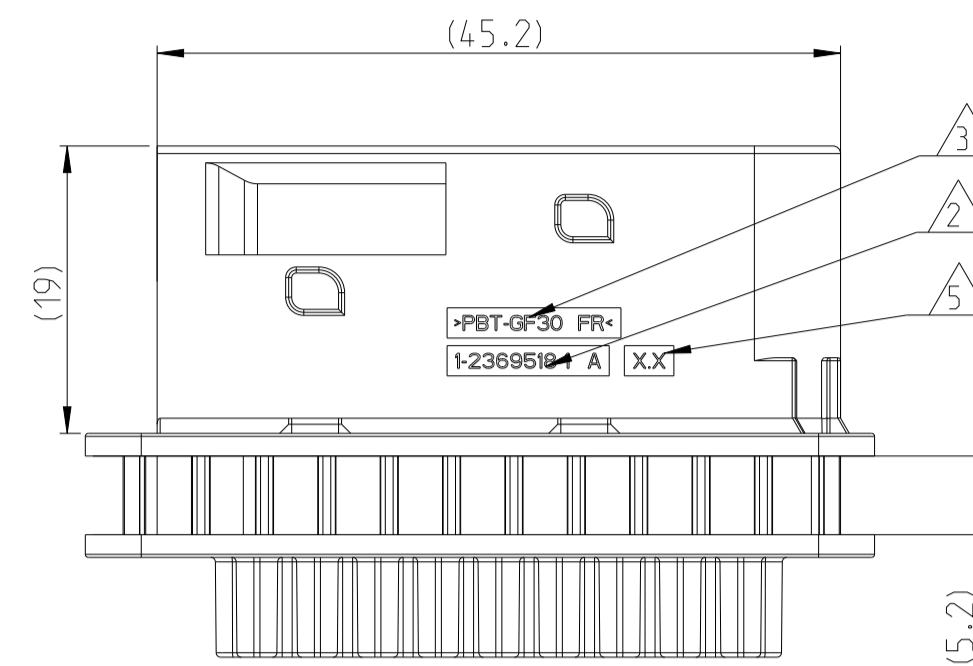
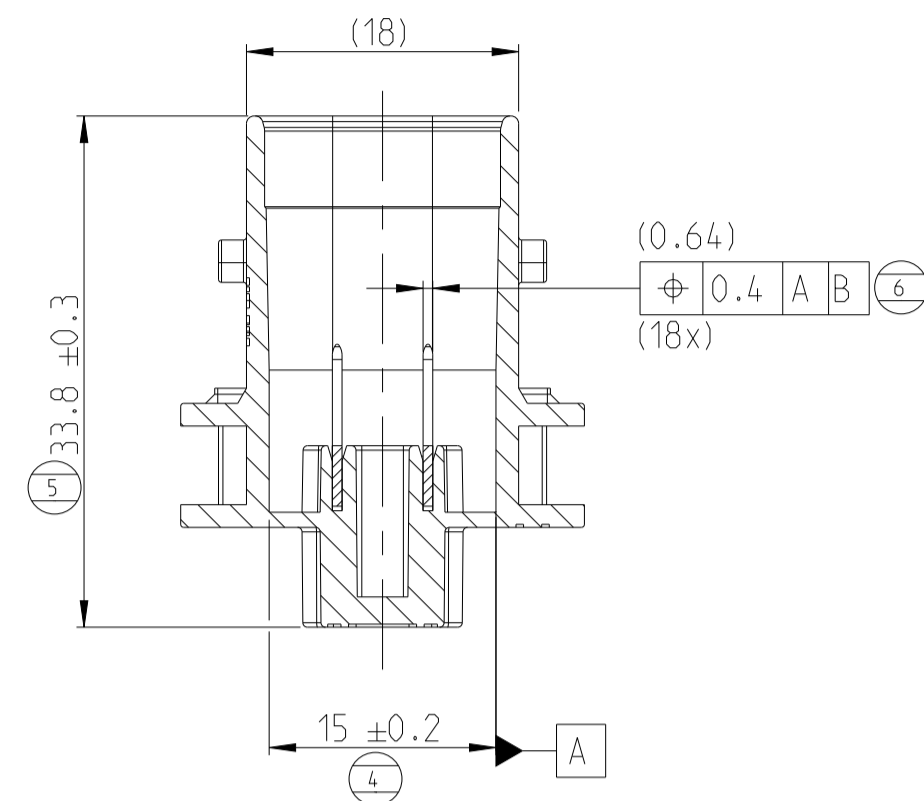


SECTION A-A  
Schnitt

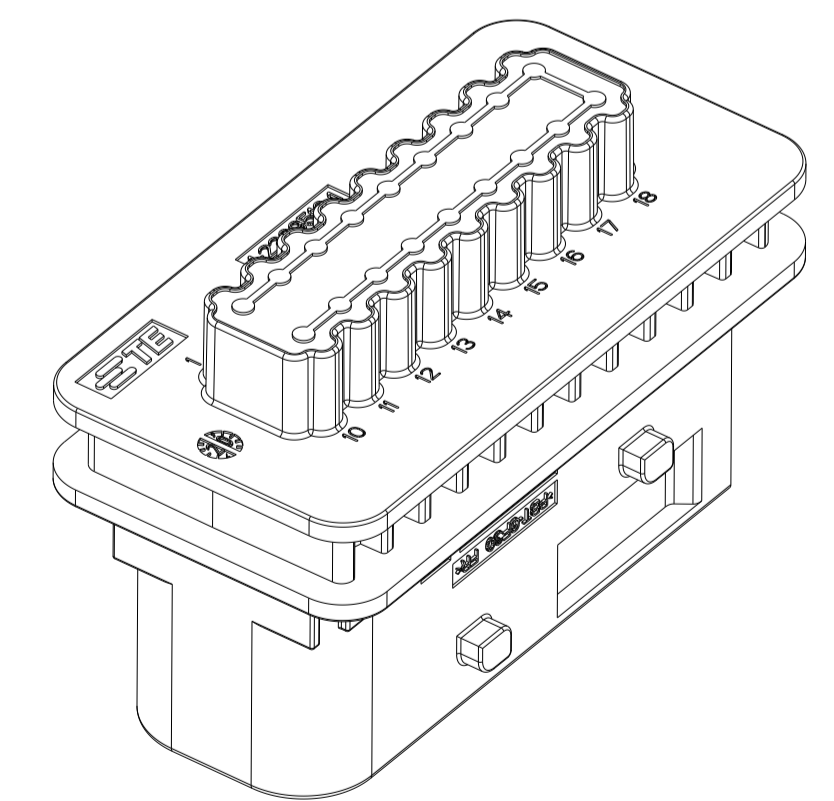
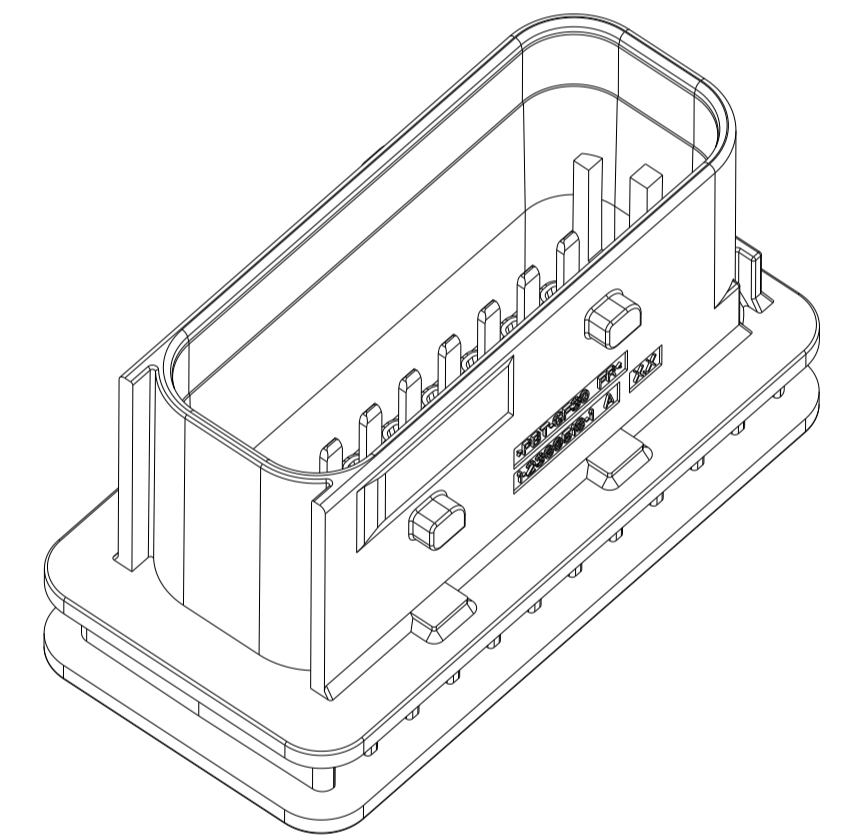
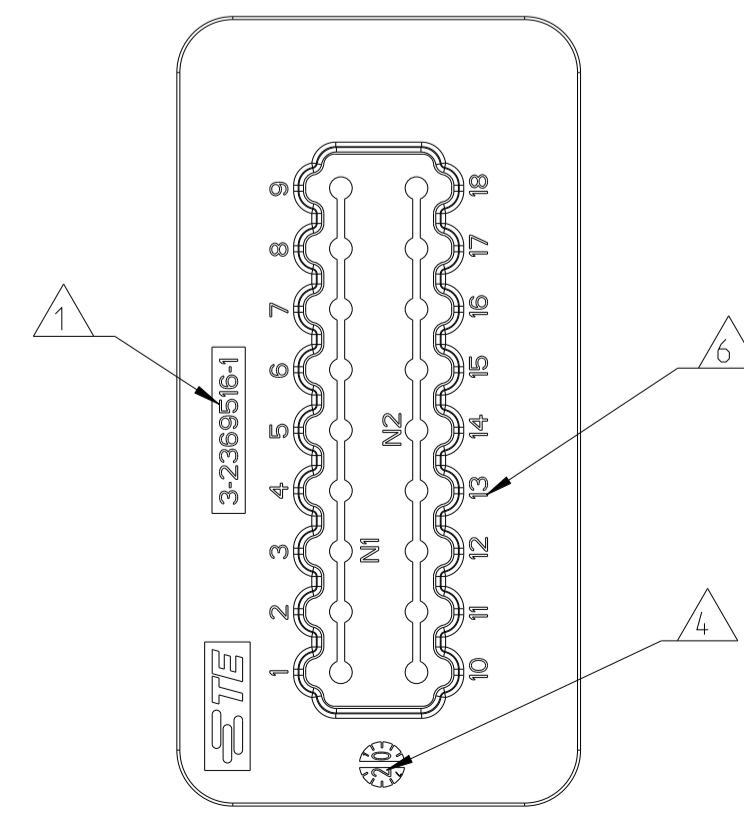
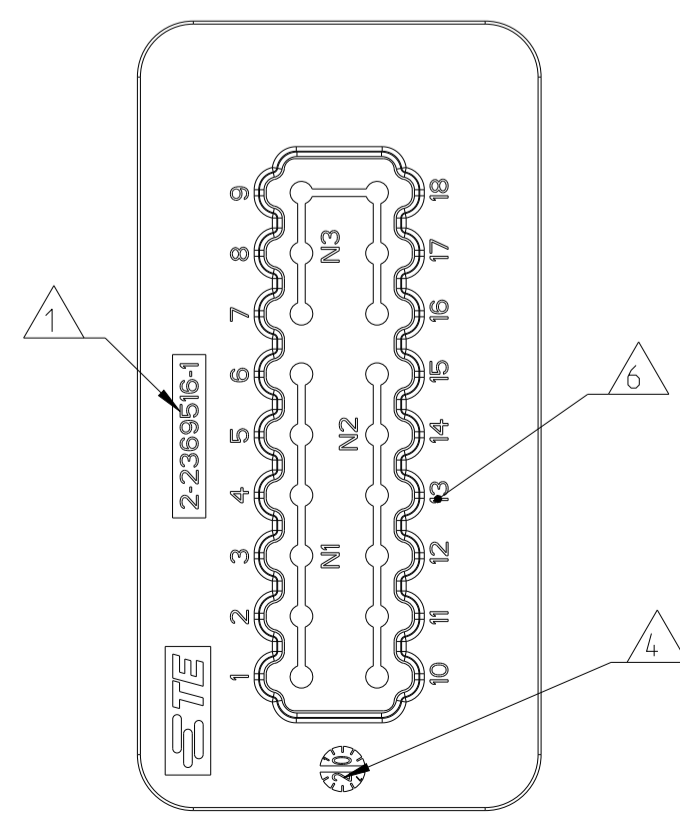
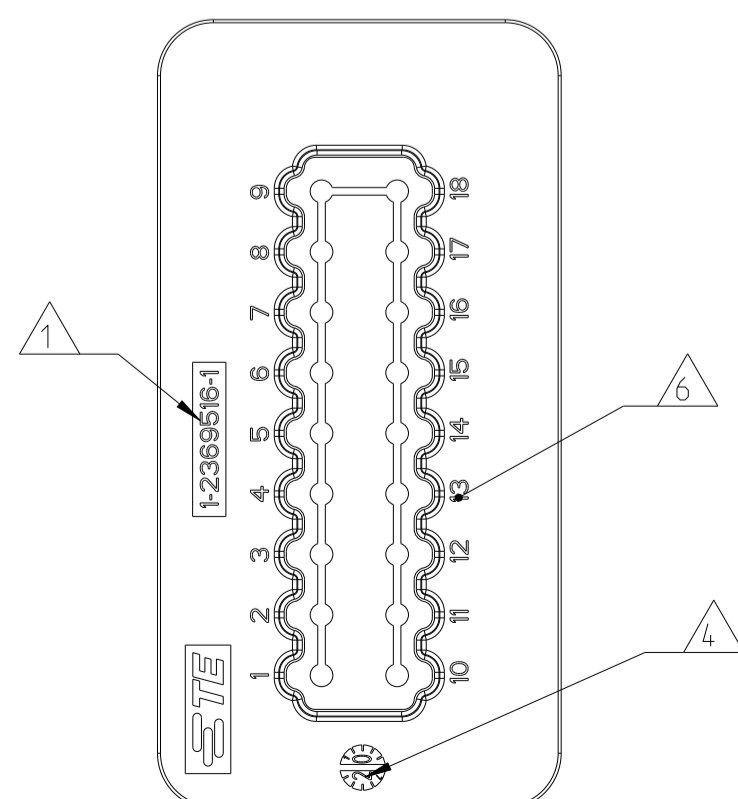
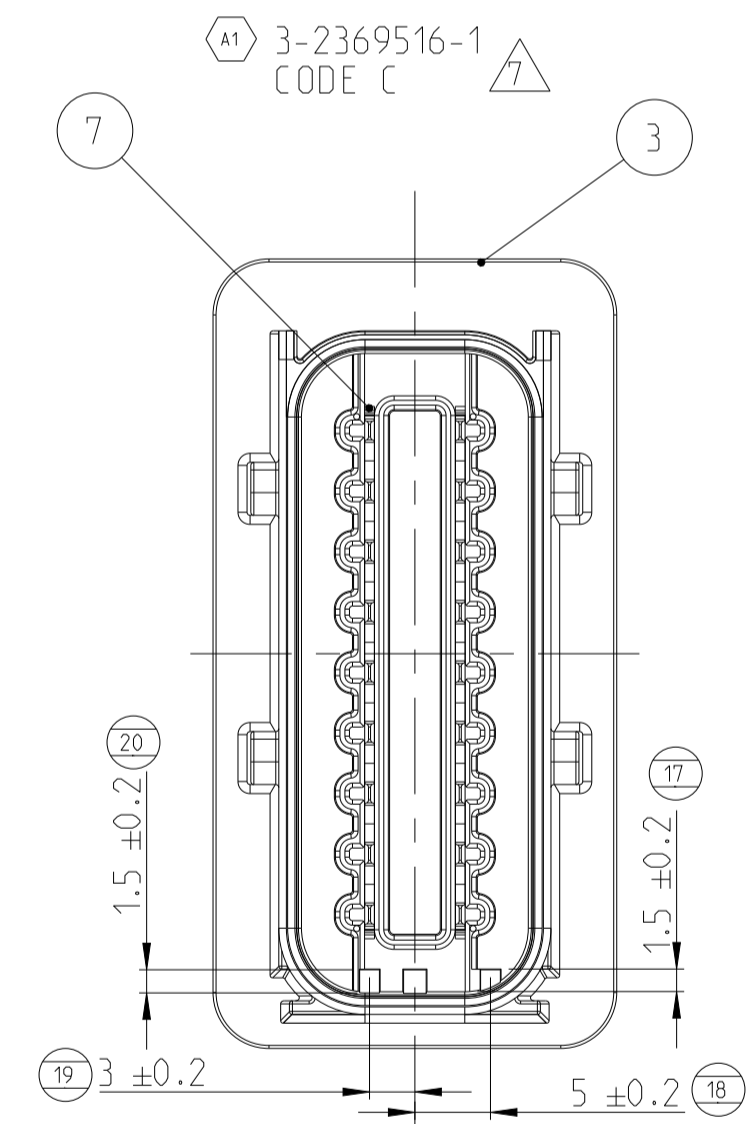
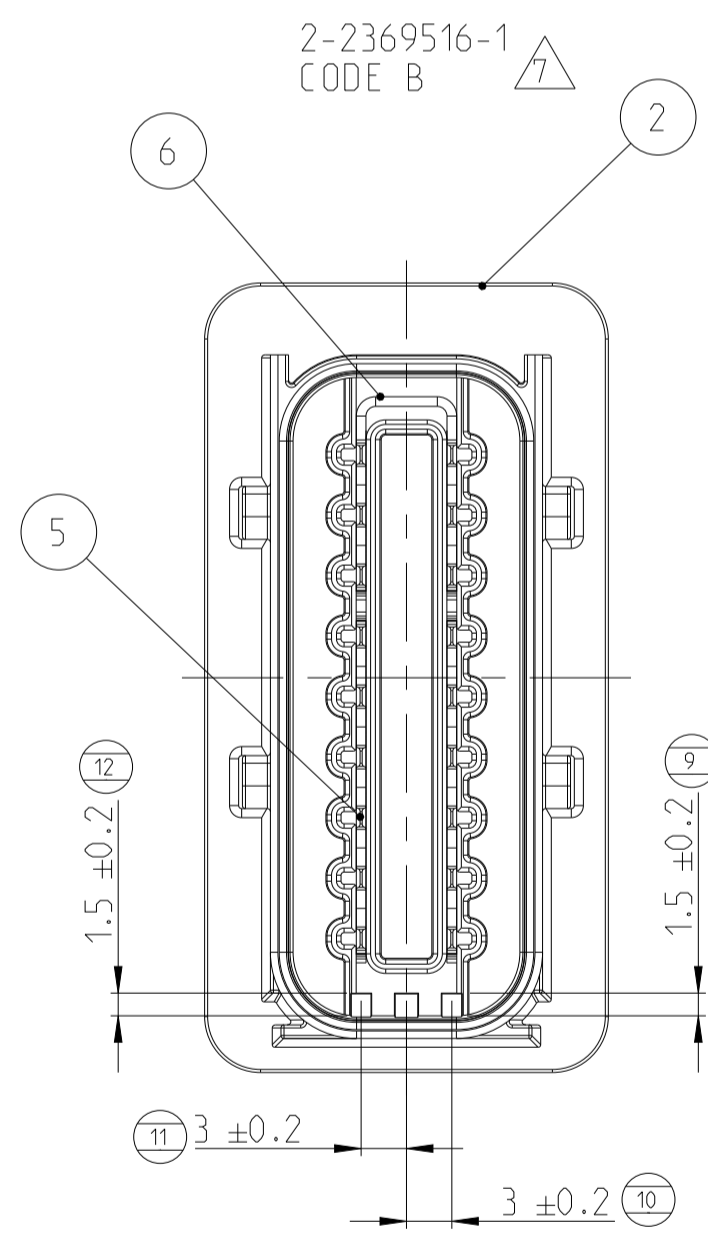
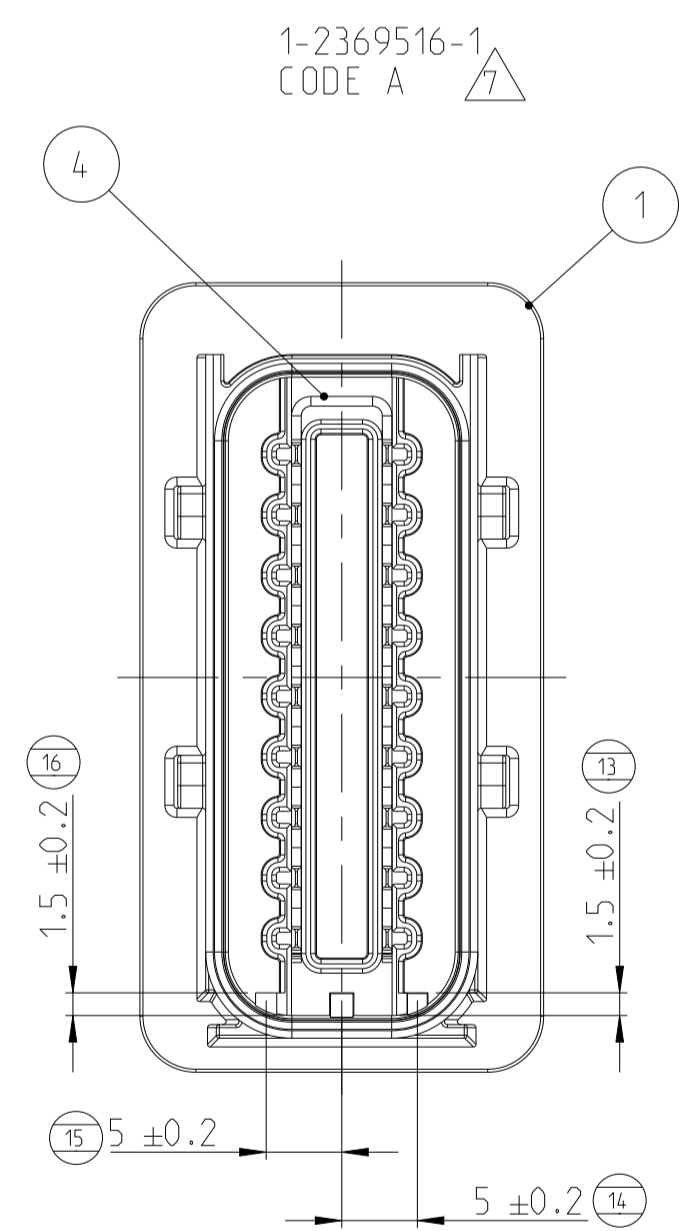


SECTION C-C  
Schnitt



NOTES  
Bemerkungen

- 1 TE CONNECTIVITY (TE) ORDER-NUMBER  
TE Connectivity (TE) Bestellnummer
  - 2 TE SINGLE PART NUMBER  
TE Einzelteilnummer
  - 3 MATERIAL MARKING ACCORDING TO VDA 260  
Materialkennzeichnung nach VDA 260
  - 4 PRODUCTION DATE  
Produktionsdatum
  - 5 MOLD CAVITY MARKING  
Nestmarkierung
  - 6 CONTACT CAVITY NUMBERING  
Kammernumerierung
  - 7 DIFFERENT CODINGS.  
Unterschiedliche Kodierungen.
8. SUITABLE COUNTERPART: 18POS. HDSCS RECEPTACLE HOUSING  
PN 1-1563759-1 FOR CODE A OR PN 2-1563759-1 FOR CODE B  
OR PN 3-1563759-1 FOR CODE C.  
Passendes Gegenstück: 18pol. HDSCS Buchsengehäuse  
PN 1-1563759-1 fuer Kodierung A oder PN 2-1563759-1 fuer Kodierung B  
oder PN 3-1563759-1 fuer Kodierung C.
9. PACKED INTERLAYERED IN CORRUGATED SHIPPING BOX  
Verpackt in Lagen angeordnet im Versandkarton



ITEM NO	DESCRIPTION	MATERIAL	COLOUR / FINISH
1	18 POS HOUSING GROUP E, CODE A	PBT-GF30	BLACK
2	18 POS HOUSING GROUP E, CODE B	PBT-GF30	GREY
3	18 POS HOUSING GROUP E, CODE C	PBT-GF30	GREEN
4	1.5MM TAB BAR, 18POS., BENT	Cu50-15	SILVER PLATED
5	1.5MM TAB BAR, 6POS., STRAIGHT	Cu50-15	SILVER PLATED
6	1.5MM TAB BAR, 6POS., BENT	Cu50-15	SILVER PLATED
7	1.5MM TAB BAR, 9POS., STRAIGHT	Cu50-15	SILVER PLATED

TE ORDER-NO. TE Bestell-Nr.	REV.	NO. OF POS. Polzahl	CODE Kodierung	QUANTITY Stueck	ITEM NO ASSY
3-2369516-1	A	18(9X2)	C	2	3
2-2369516-1	A	18(6X3)	B	-	2
1-2369516-1	A	18	A	-	1

TE Connectivity

18POS. TAB1.6X0.6.HDR ASSY. 180DEG  
18POS. POTENTIAL DISTR. HDSCS GROUP E  
18pol. Potentialverf. HDSCS Gruppe E

WEIGHT: 20.8g

CAGE CODE: 07779

DRAWING NO: 2369516

SCALE: 2:1

SHEET 1 OF 1

REV: A1