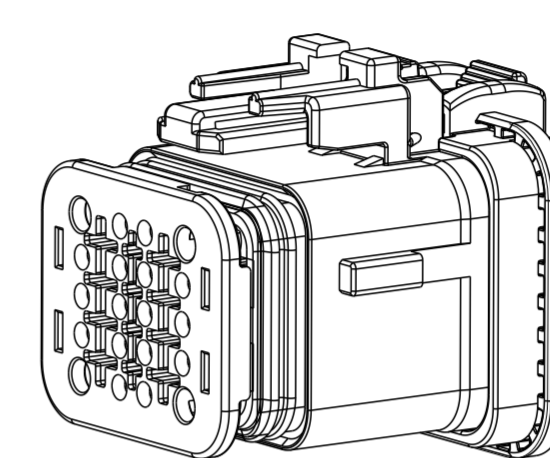
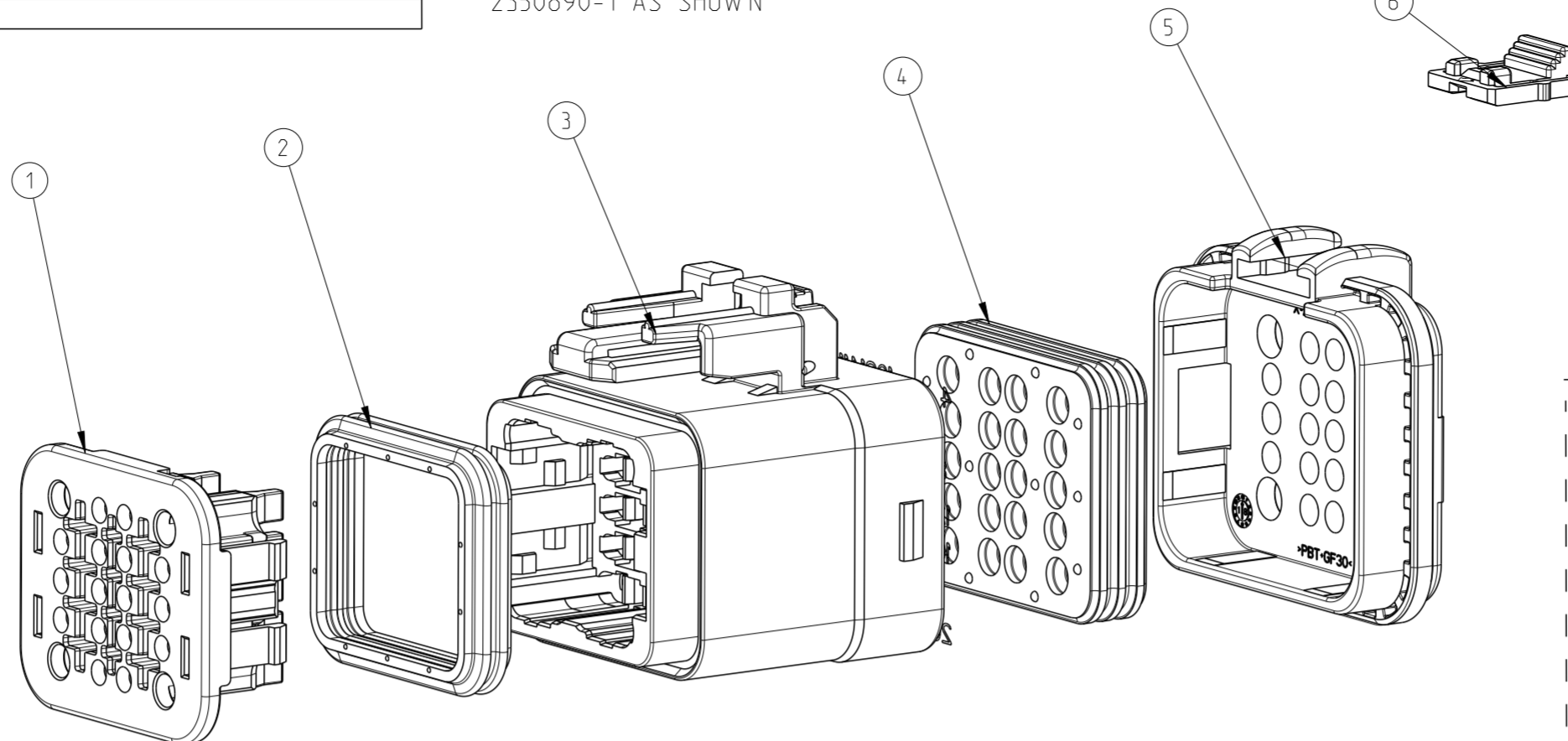
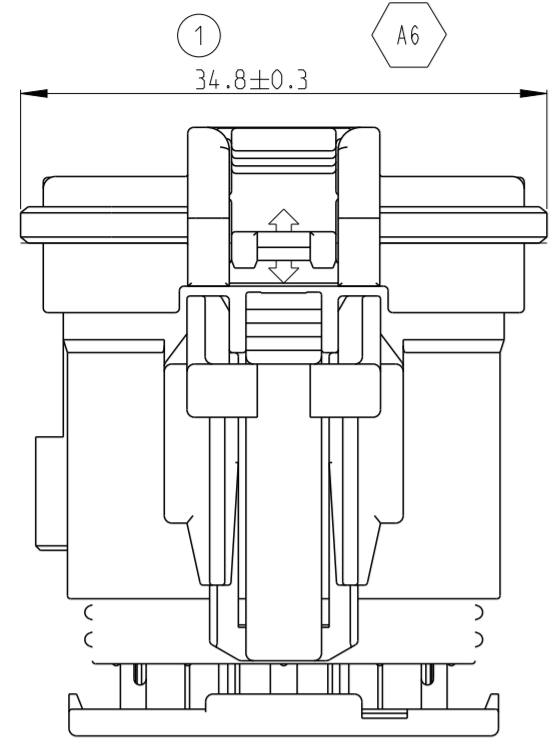


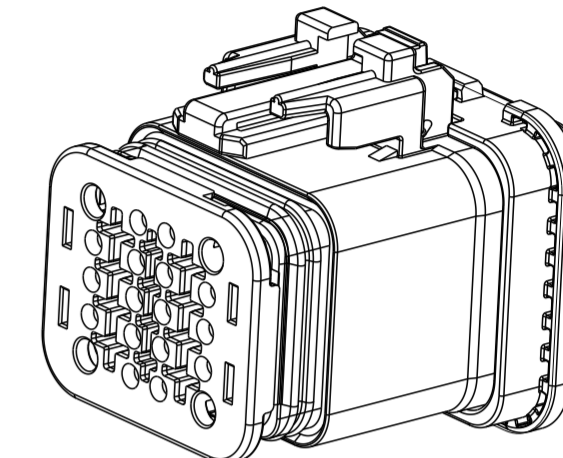
THIS DRAWING IS UNPUBLISHED. RELEASED FOR PUBLICATION
 © COPYRIGHT copyright_date BY - ALL RIGHTS RESERVED.

2350890-1 AS SHOWN

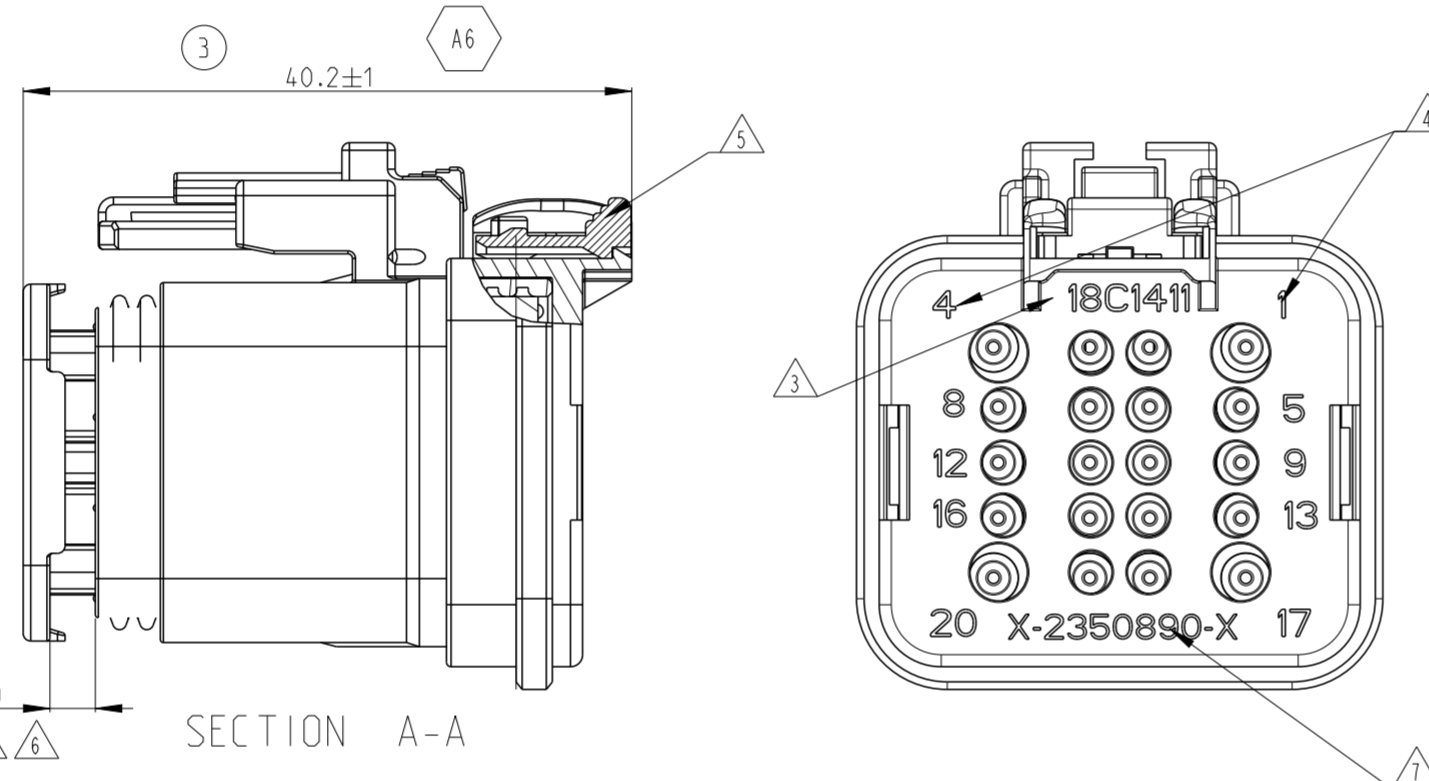
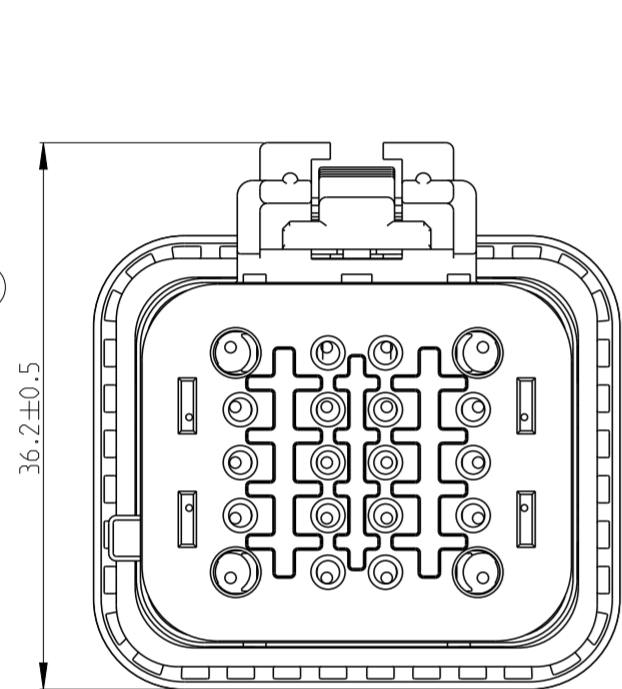
REVISIONS					
P	LTR	DESCRIPTION	DATE	DWN	APVD
A3		SEE ECR-21-003354	19MAR2021	L.G	I.Y
A4		ECN-24-254806	06MAR2024	J.S	Z.Z
A5		ECN-25-305442	10FEB2025	J.S	Z.Z
A6		ECN-25-325193	03JUN2025	J.S	Z.Z



VIEW FOR CPA VERSION
 PN: 2350890-1
 2350890-2
 2350890-3
 2350890-4



VIEW FOR NO CPA VERSION
 PN: 1-2350890-1
 1-2350890-2
 1-2350890-3
 1-2350890-4



NOTES:

1. THIS PLUG MATES WITH TAB HOUSING ASSEMBLY PN 2350891-X, 1-2350891-X OR 2-2350891-X (X=1, 2, 3, 4 FOR VARIOUS CODE).

2. MATERIAL: HOUSING: PBT GF30, SEE PN TABLE FOR COLOR
 TPA: PBT GF30, YELLOW
 FRONT SEAL: VMQ(ORANGE)
 GROMMET: VMQ(RED)
 REAR CAP: PBT GF30, BLACK

3. DATE CODE: IDENTIFIES THE YEAR, MONTH, DAY AND HOUR OF ASSEMBLY.
 YEAR: FIRST AND SECOND DIGITS(17=2017)
 MONTH: THIRD DIGIT , EXCLUDING 1 ; A=JAN, B=FEB, C=MARCH...(K=OCTOBER)
 DAY: FOURTH AND FIFTH DIGITS(14=14th DAY)
 HOUR: SIXTH AND SEVENTH DIGITS(11=11AM)

4. IDENTIFICATION FOR CABLE PINOUT.

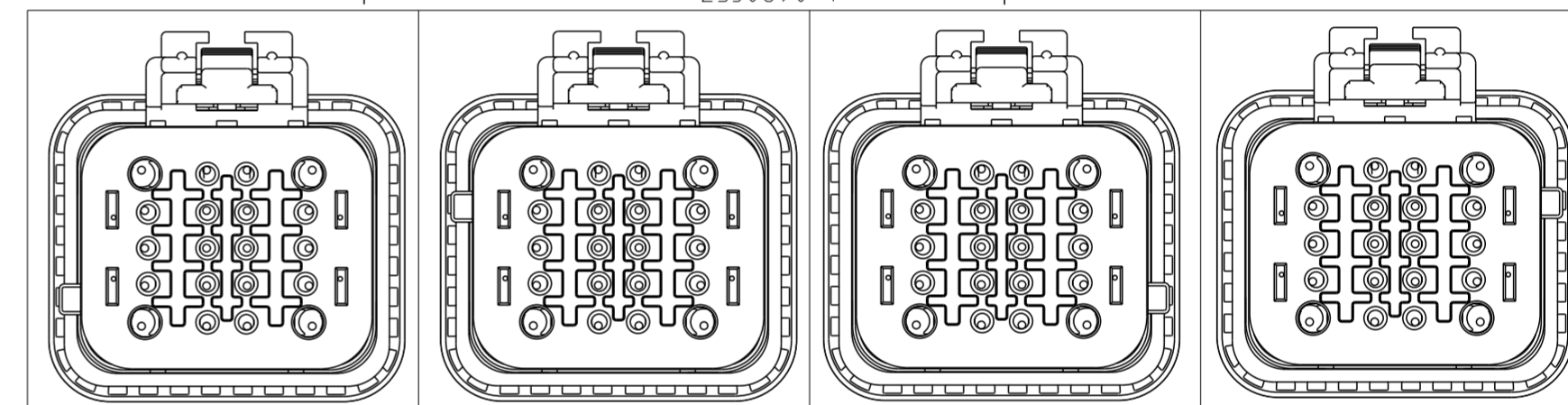
5. TPA AND CPA SEATED ON PRE-LOCK POSITION FOR DELIVERY.

6. PULL TPA TO PRE-LOCK BEFORE TERMINAL INSERTION IN CASE OF TPA BEING HIT TO END-LOCK POSITION.

7. PART NO.

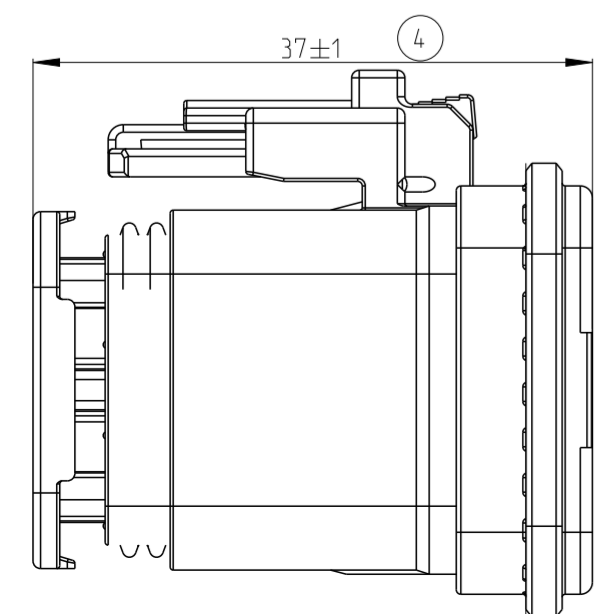
8. REFER TO 114-151001 FOR DT SIZE 16 TERMINAL APPLICATION SPECIFICATION.
 REFER TO 114-151003 FOR DT SIZE 20 TERMINAL APPLICATION SPECIFICATION.
 APPLICABLE TERMINAL PART NUMBERS AND WIRE SIZE:

TERMINAL PN	WIRE SIZE (MM2)	INSULATION WIRES(MM)	PINOUT NUMBER
16#	0.5~2.5	Ø1.40~Ø3.00	1, 4, 17, 20
20#	0.5~1.5	Ø1.40~Ø2.40	OTHER PINS



CODING A PN:2350890-1 1-2350890-1				CODING B PN:2350890-2 1-2350890-2				CODING C PN:2350890-3 1-2350890-3				CODING D PN:2350890-4 1-2350890-4			
-	-	-	-	1	1	1	1	RED	PBT-GF15	CPA	6				
1	-	-	-	1	-	-	-	BLUE							
-	1	-	-	-	1	-	-	GREEN	PBT-GF30	REAR CAP	5				
-	-	1	-	-	-	1	-	GRAY							
-	-	-	1	-	-	-	1	BLACK							
1	1	1	1	1	1	1	1	RED	VMQ	GROMMET	4				
1	-	-	-	1	-	-	-	BLUE	PBT-GF30	HOUSING.CODE D					
-	1	-	-	-	1	-	-	GREEN	PBT-GF30	HOUSING.CODE C					
-	-	1	-	-	-	1	-	GREY	PBT-GF30	HOUSING.CODE B					
-	-	-	1	-	-	-	1	BLACK	PBT-GF30	HOUSING.CODE A					
1	1	1	1	1	1	1	1	RED	VMQ	RADIAL SEAL	2				
1	1	1	1	1	1	1	1	YELLOW	PBT-GF30	TPA	1				
QTY. REQUEST PER ASSY												COLOR	MATERIAL	DESCRIPTION	ITEM NO
25.5	25.5	25.5	25.5	25.9	25.9	25.9	25.9	WEIGHT OF EACH ASSY(g)							
A	A	A	A	A	A	A	A	REVISION OF EACH ASSY NO.							
1--4	1--3	1--2	1--1	--4	--3	--2	--1	TE ASSEMBLY PN							

DIMENSION FOR 1-2350889-1/2/3/4:



THIS DRAWING IS A CONTROLLED DOCUMENT.

DWN: C.WAN 01MAR2019
 CHK: E.JIANG 28MAR2019
 APVD: J.LIN 28MAR2019

PRODUCT SPEC: 108-101662
 APPLICATION SPEC: 114-32209

NAME: PLUG ASSEMBLY NTS 20Pos CONNECTOR DEUTSCH TERMINAL HYBRID CONNECTOR

SIZE: A2 CAGE CODE: 00779 DRAWING NO: C-2350890 RESTRICTED TO: -

CUSTOMER DRAWING SCALE: 2:1 SHEET: 1 OF 1 REV: A6