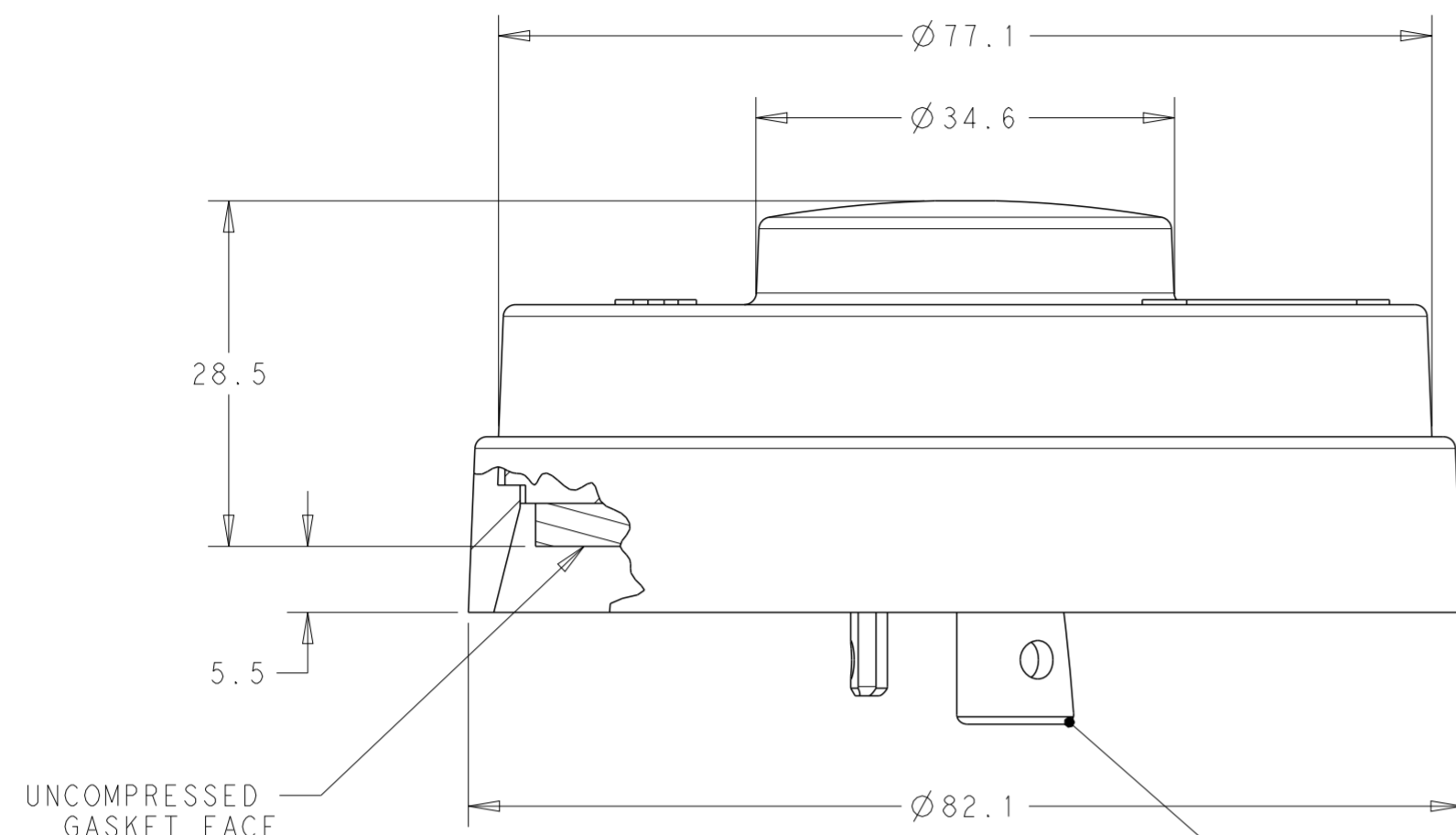
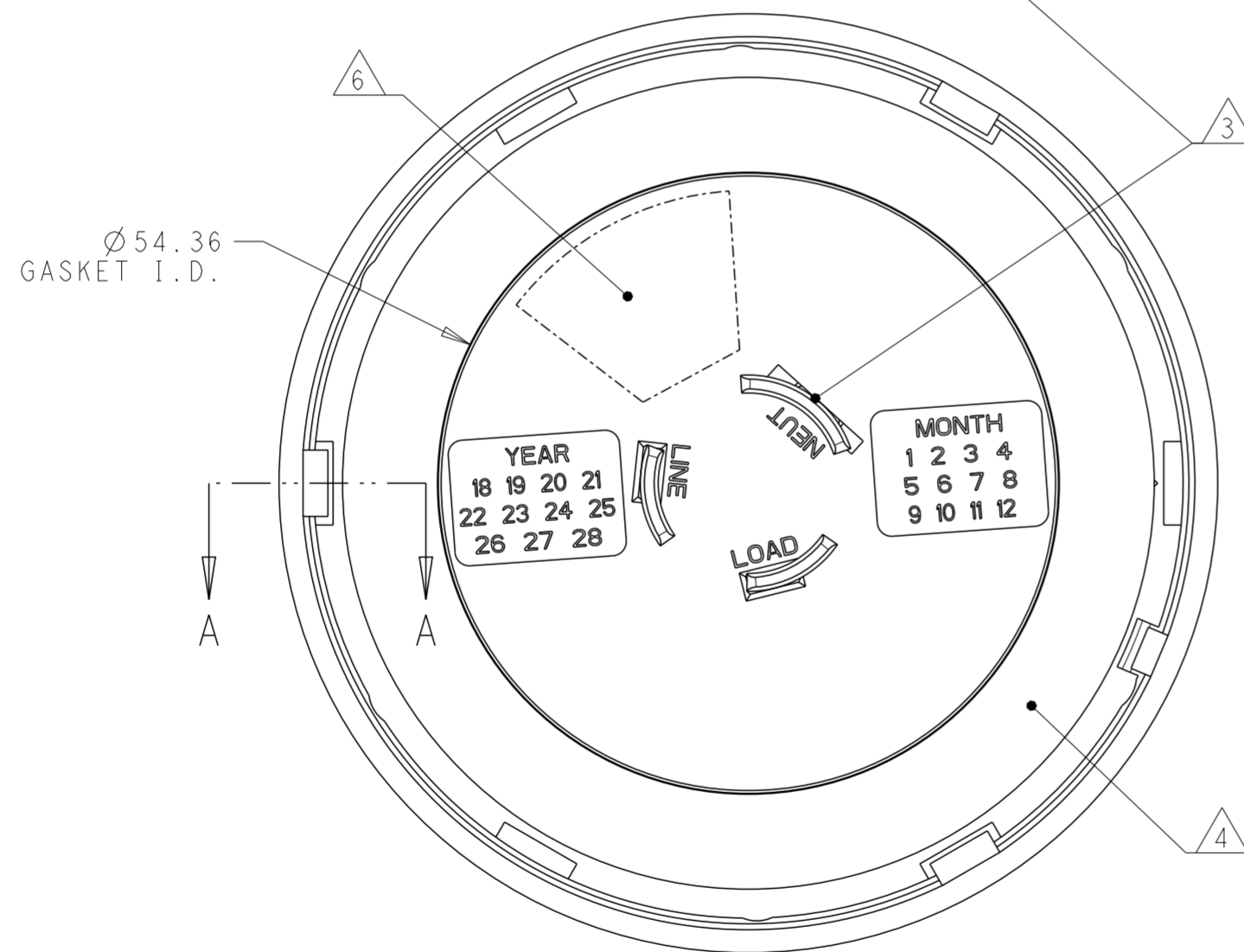


THIS DRAWING IS UNPUBLISHED. RELEASED FOR PUBLICATION
 © COPYRIGHT copyright.d8te- ALL RIGHTS RESERVED.

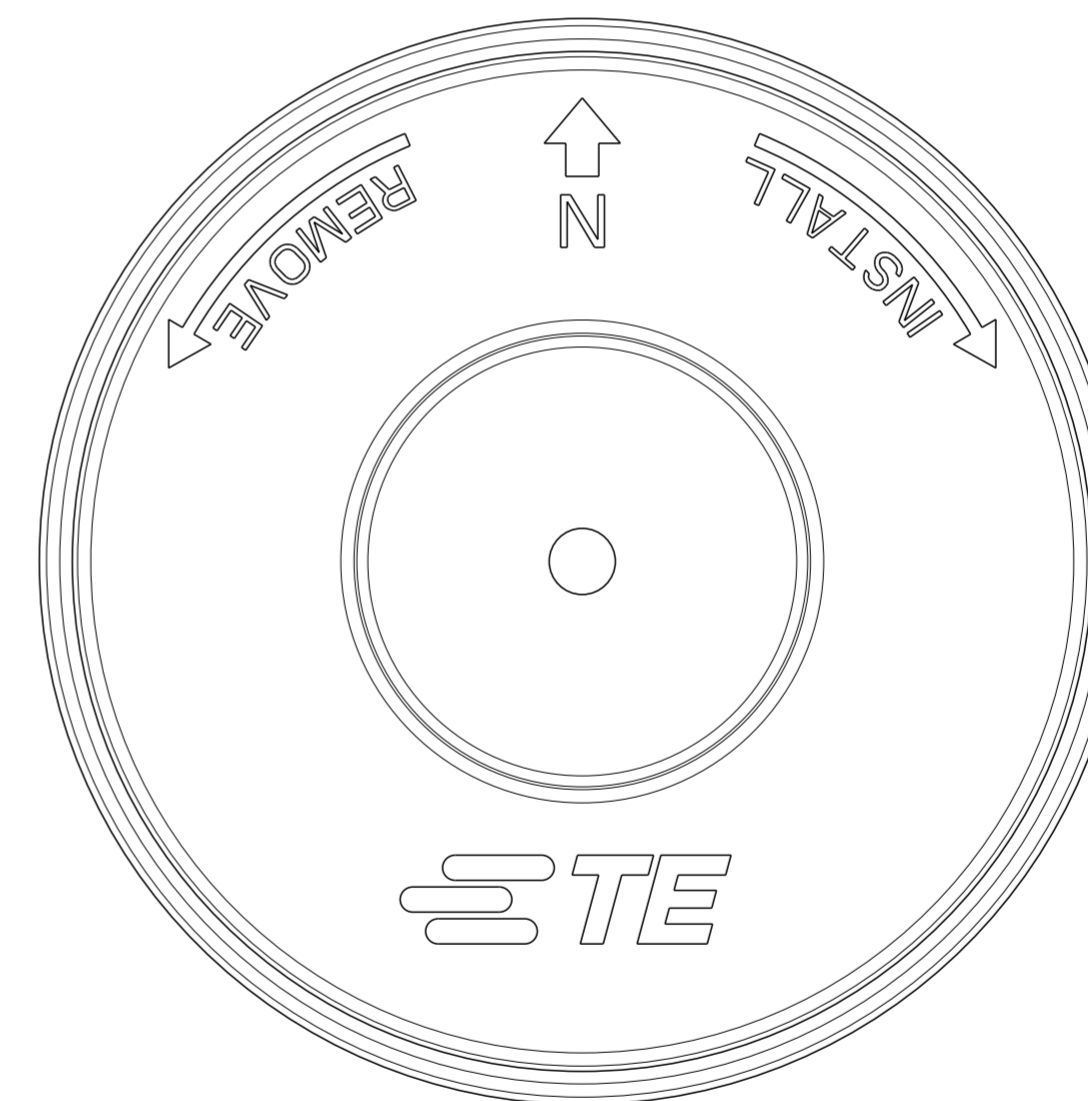
REVISIONS					
P	LTR	DESCRIPTION	DATE	DWN	APVD
A1		REVISED PER ECR-19-003367	05MAR2019	SR	DD
A2		REVISED PER ECR-19-008525	31MAY2019	SR	DD
A3		REVISED PER ECR-20-002559	26FEB2020	SB	DD
A4		REVISED PER ECR-25-264392	20MAR2026	GIC	MM



SECTION A - A



- 1 MATERIALS:
 HOUSING: PBT
 LINE VOLTAGE CONTACTS: COPPER ALLOY
 SHORTING CLIP: COPPER ALLOY
 GASKET: NBR/PVC BLEND
 O-RING: SILICONE RUBBER
 COVER: PBT, UL UV-f1 RATED
- 2 FINISH:
 LINE VOLTAGE CONTACTS: MATTE TIN PLATE
- 3 MATING INTERFACE PER ANSI C136.10.
- 4 ADHESIVE BACKED GASKET APPLIED
- 5. THIS PRODUCT HAS NOT COMPLETED VALIDATION TESTING.
- 6 PRODUCT INFORMATION LABEL
- 7 157 JOULE MOV WITH A MAX SURGE CURRENT OF 4500A AND A MAX CLAMPING VOLTAGE OF 1355V.



TOP VIEW FOR REFERENCE

OBSOLETE	RED	OPEN	2328118-3
OBSOLETE	BLACK	SHORTING AND SURGE PROTECTION	2328118-2
	BLACK	SHORTING	2328118-1
	CAP COLOR	DESCRIPTION	PART NO.

THIS DRAWING IS A CONTROLLED DOCUMENT.		DWN	23 JAN 2018	
DIMENSIONS:		CHK <td colspan="2">23 JAN 2018</td>	23 JAN 2018	
mm		APVD <td colspan="2">-</td>	-	
TOLERANCES UNLESS OTHERWISE SPECIFIED:		PRODUCT SPEC <td colspan="2">108-133113</td>	108-133113	
0 PLC	±	APPLICATION SPEC <td colspan="2">408-133113</td>	408-133113	
1 PLC	±0.2	WEIGHT	-	
2 PLC	±0.13	CUSTOMER DRAWING	SCALE 7:4 SHEET 1 OF 1 REV A4	
3 PLC	±			
4 PLC	±			
ANGLES	±1°			
FINISH	-			
MATERIAL	SEE TABLE			

STE TE Connectivity

ASSEMBLY, LUMAWISE SHORTING CAP

SIZE: A2 CAGE CODE: 00779 DRAWING NO: C-2328118 RESTRICTED TO: -