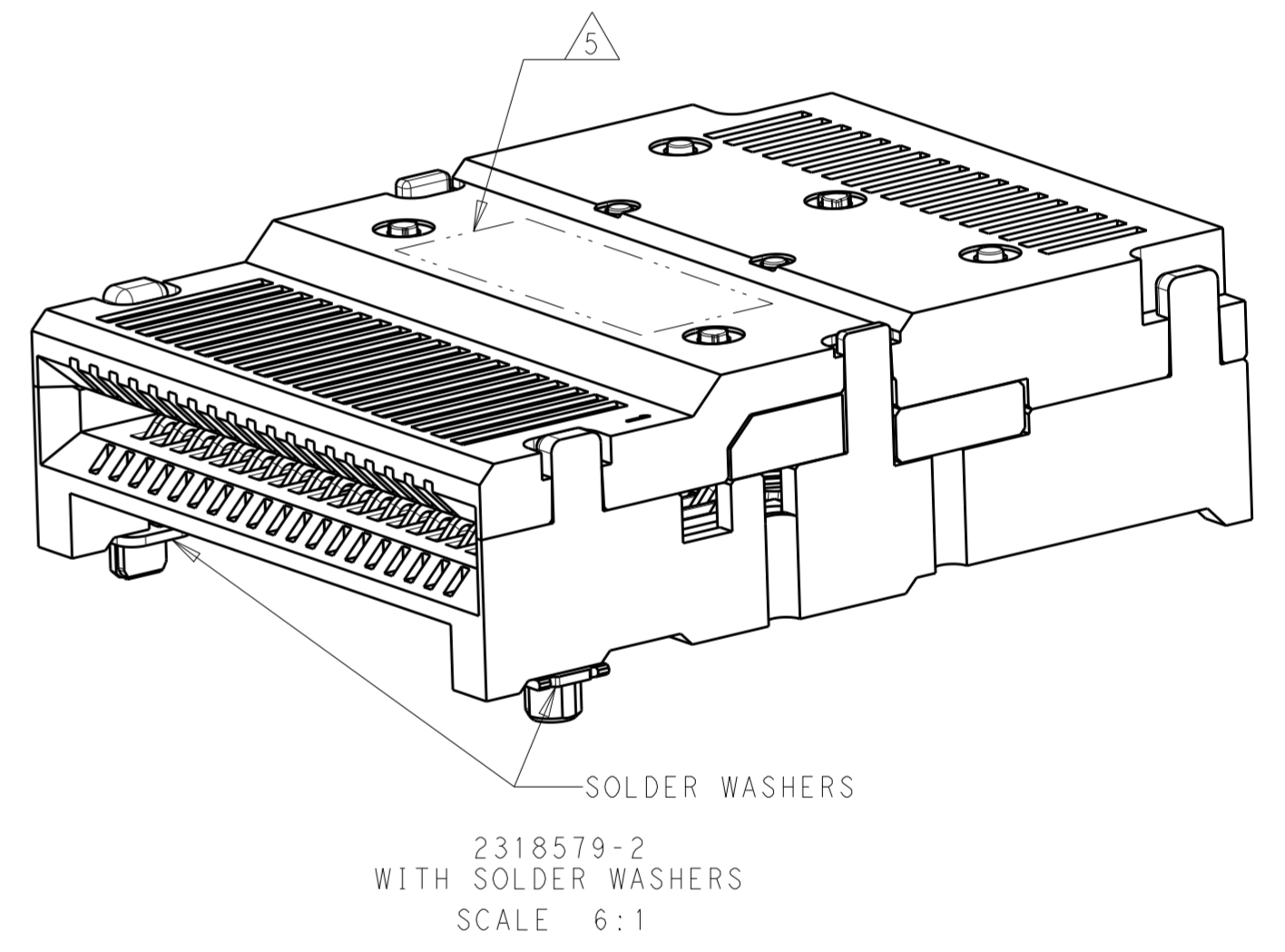
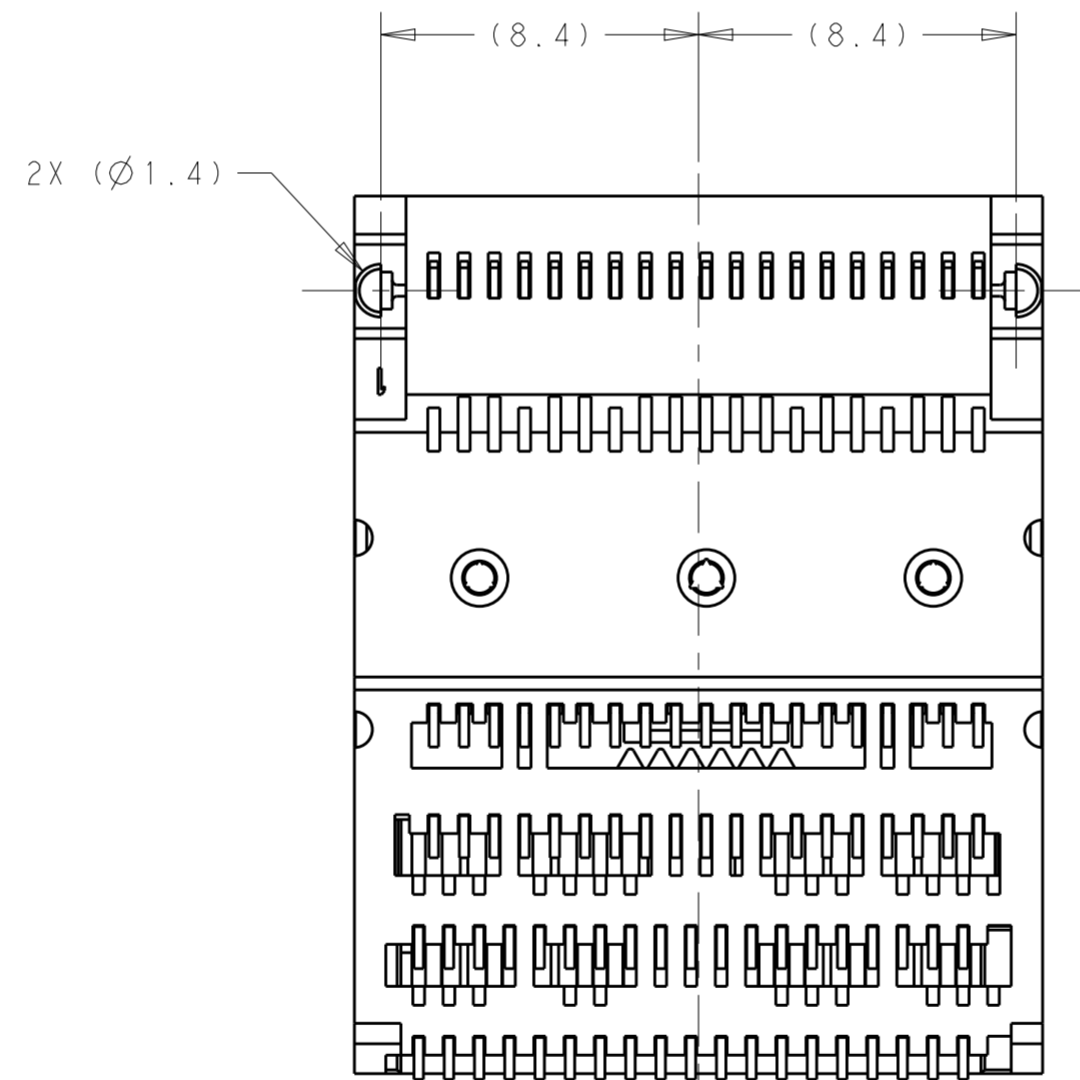
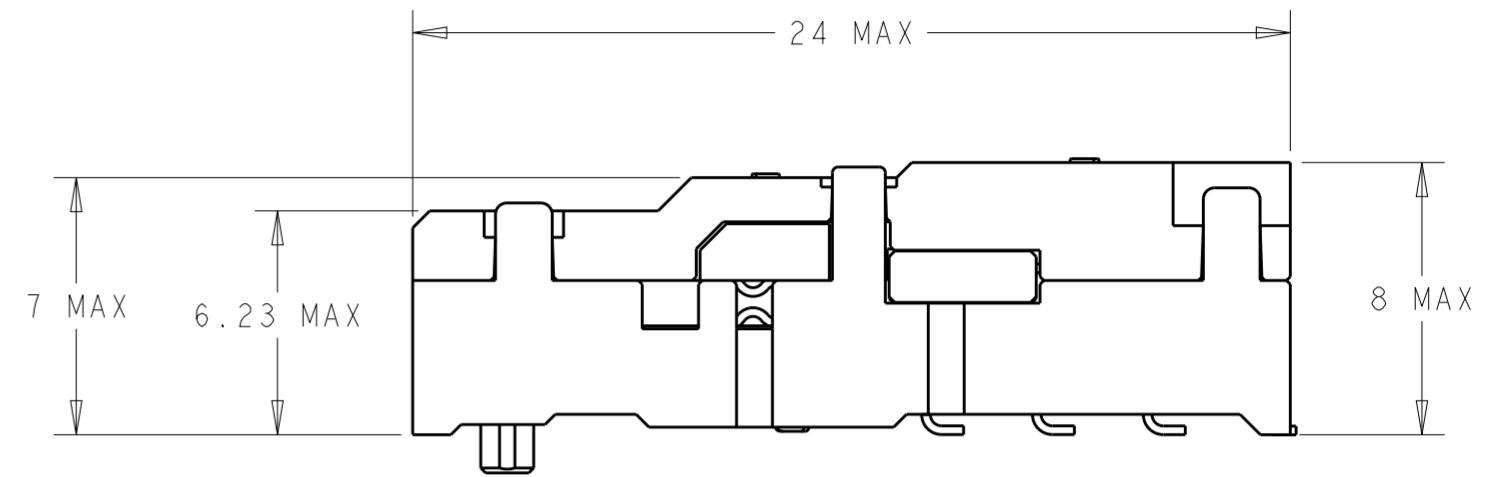
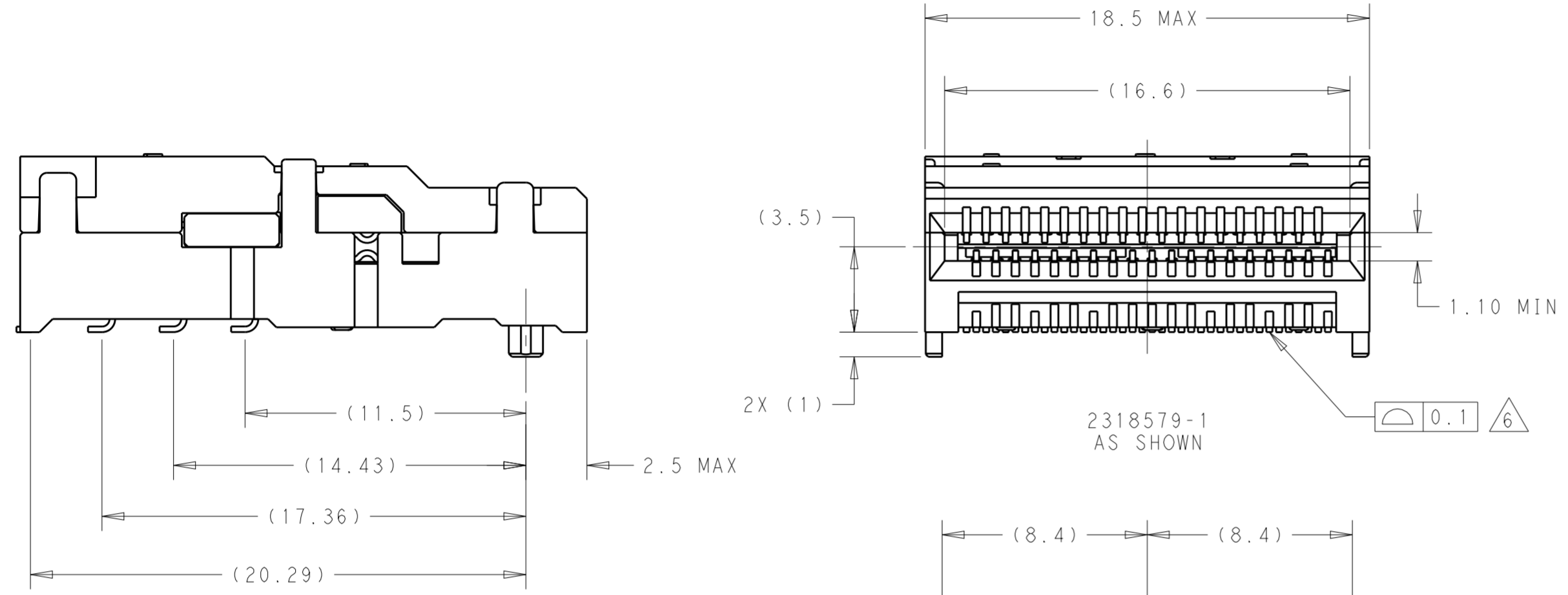


THIS DRAWING IS UNPUBLISHED. RELEASED FOR PUBLICATION 20
 © COPYRIGHT 20 BY - ALL RIGHTS RESERVED.

| REVISIONS | | | | |
|-----------|-----|----------------------------|-----------|---------|
| P | LTR | DESCRIPTION | DATE | APVD |
| A | | RELEASED PER ECO-19-011564 | 29JUL2019 | CJV MJP |
| | | | | |
| | | | | |



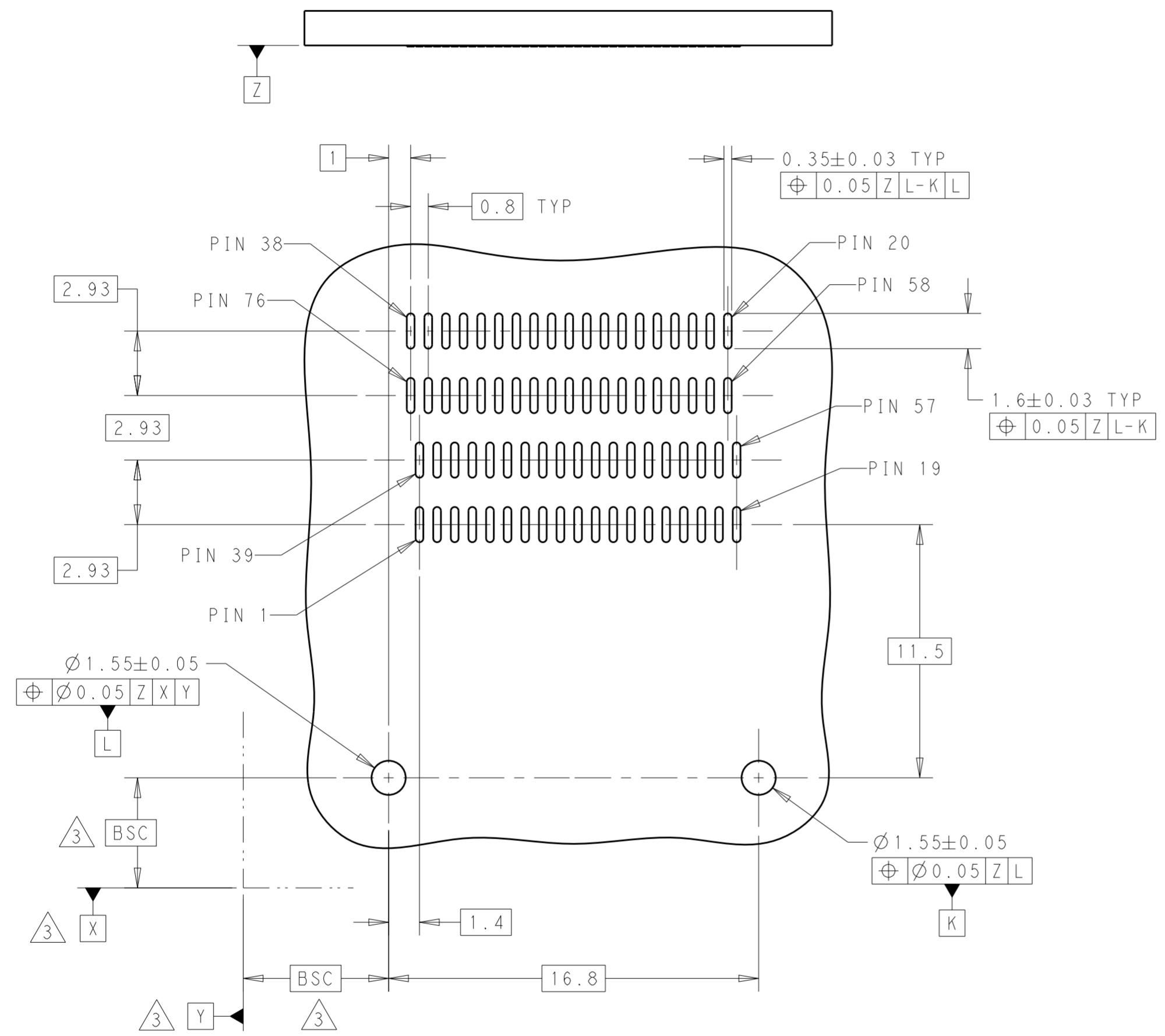
- 1 HOUSINGS AND CONTACT OVERMOLDS: LCP, BLACK.
CONTACTS: COPPER ALLOY.
SOLDER WASHERS: NICKEL SILVER.
- 2 CONTACTS - 0.76µm GOLD ON MATING INTERFACE.
TIN PLATED ON PCB TAILS.
- 3. MINIMUM PC BOARD THICKNESS:
SINGLE SIDED: 1.57 MIN
DOUBLE SIDED: 2.20 MIN
- 4 DATUM AND BASIC DIMENSION ESTABLISHED BY CUSTOMER.
- 5 PART NUMBER AND DATE CODE MARKED IN APPROXIMATE AREA SHOWN.
- 6 APPLIES TO 76 CONTACT SOLDER TAILS FOR 2318579-1.
APPLIES TO 76 CONTACT SOLDER TAILS AND 2 SOLDER HOLD
DOWNS FOR 2318579-2.

| PACKAGING | DESCRIPTION | PART NUMBER |
|---------------|---------------------|-------------|
| TAPE AND REEL | WITH SOLDER WASHERS | 2318579-2 |
| TAPE AND REEL | AS SHOWN | 2318579-1 |

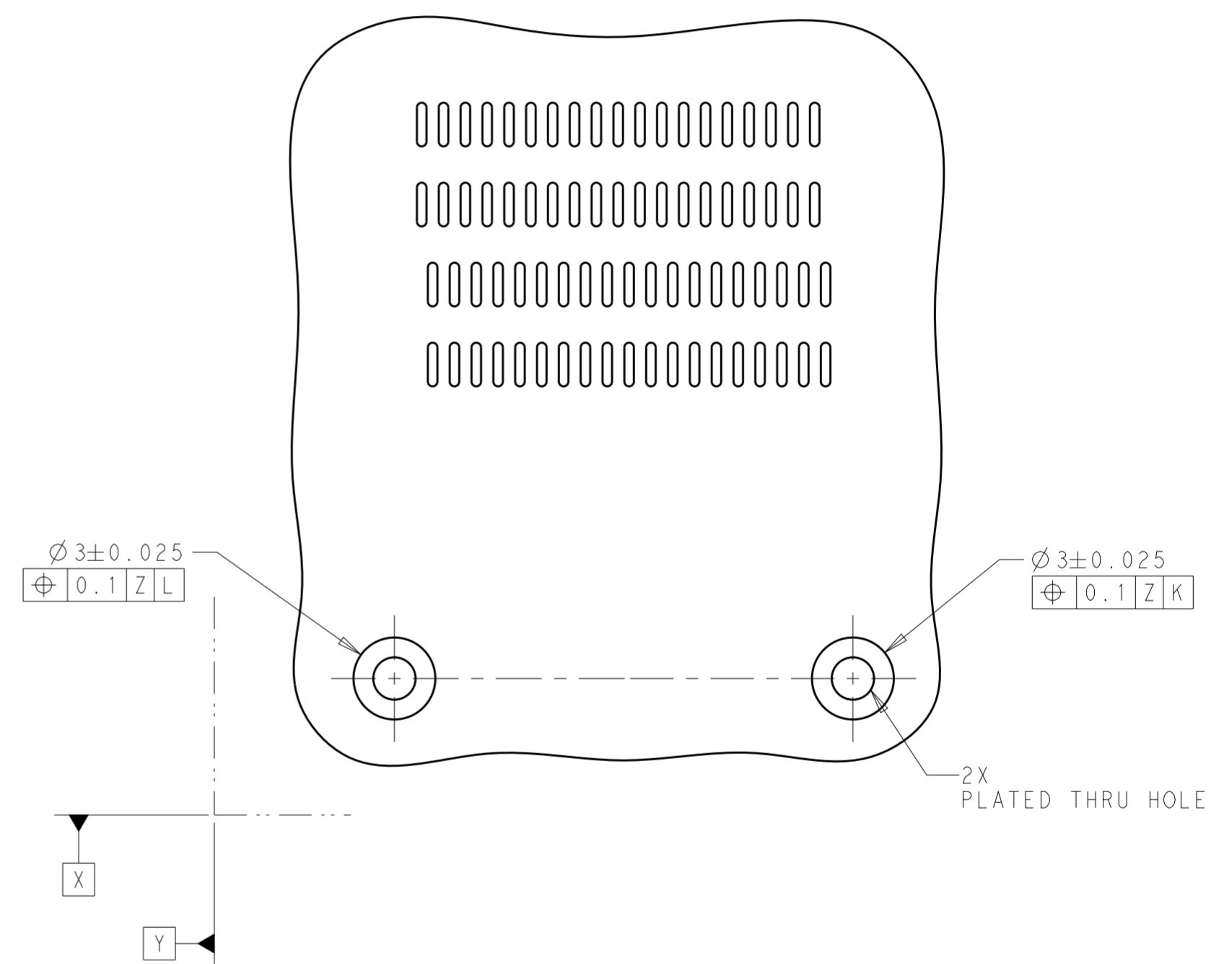
| | | | | |
|--|--|------------------------------|---|-----------------------|
| THIS DRAWING IS A CONTROLLED DOCUMENT. | | DWN M. SHIRK 17APR2017 | STE TE Connectivity | |
| | | CHK J. WESTMAN 17APR2017 | | |
| DIMENSIONS: mm | | APVD - | NAME RECEPTACLE CONNECTOR, 76 POSITION, QSFP DD | |
| TOLERANCES UNLESS OTHERWISE SPECIFIED: | | PRODUCT SPEC 108-130016 | SIZE A2 | |
| 0 PLC ±0.1 | | APPLICATION SPEC 114-130007 | CAGE CODE - | DRAWING NO. C-2318579 |
| 1 PLC ±0.1 | | WEIGHT - | RESTRICTED TO - | |
| 2 PLC ±0.1 | | CUSTOMER DRAWING | | |
| 3 PLC ± | | SCALE 5:1 SHEET 1 OF 3 REV A | | |
| 4 PLC ± | | | | |
| ANGLES ± | | | | |
| FINISH | | | | |

THIS DRAWING IS UNPUBLISHED. RELEASED FOR PUBLICATION 20
 © COPYRIGHT 20 BY - ALL RIGHTS RESERVED.


| REVISIONS | | | | |
|-----------|-----|-------------|------|------|
| P | LTR | DESCRIPTION | DATE | APVD |
| - | - | SEE SHEET 1 | - | - |
| | | | | |
| | | | | |



2318579-1
RECOMMENDED PCB LAYOUT

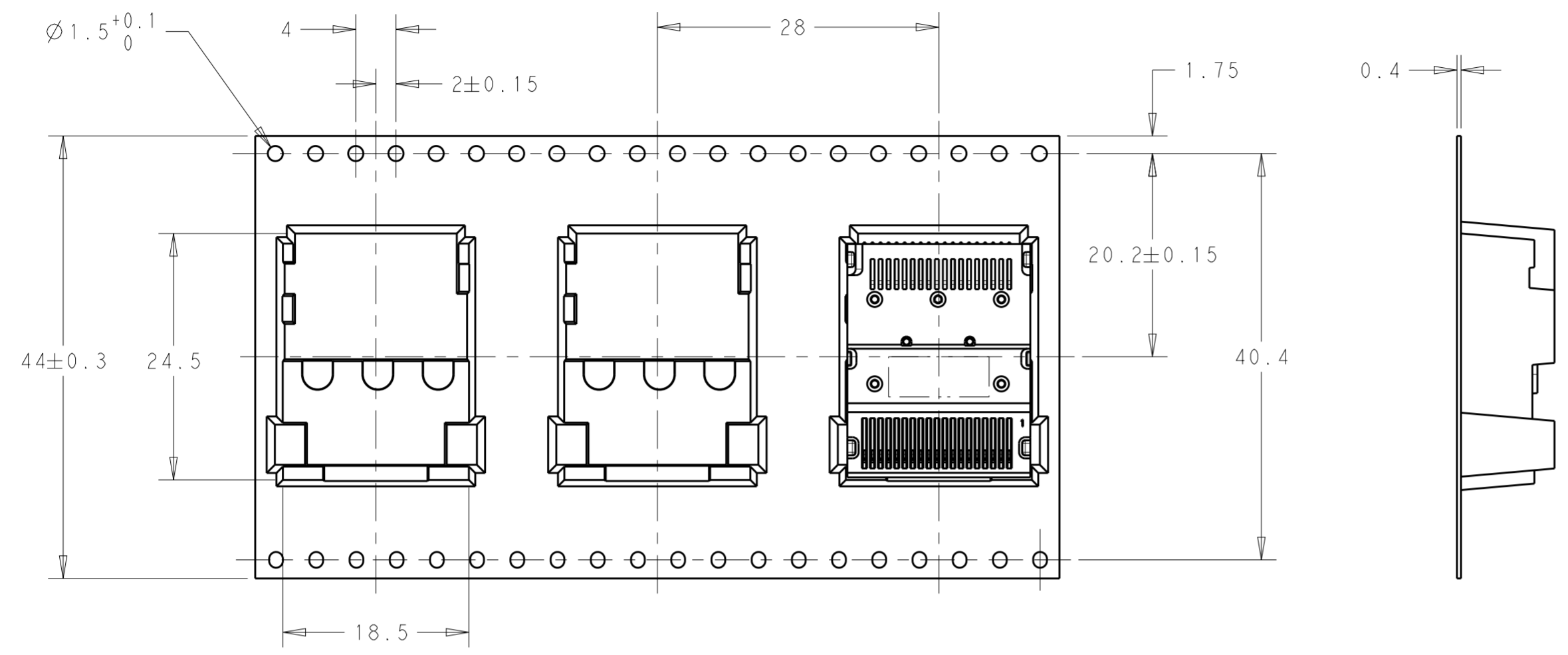


2318579-2
RECOMMENDED PCB LAYOUT
SAME AS 2318579-1 EXCEPT AS NOTED

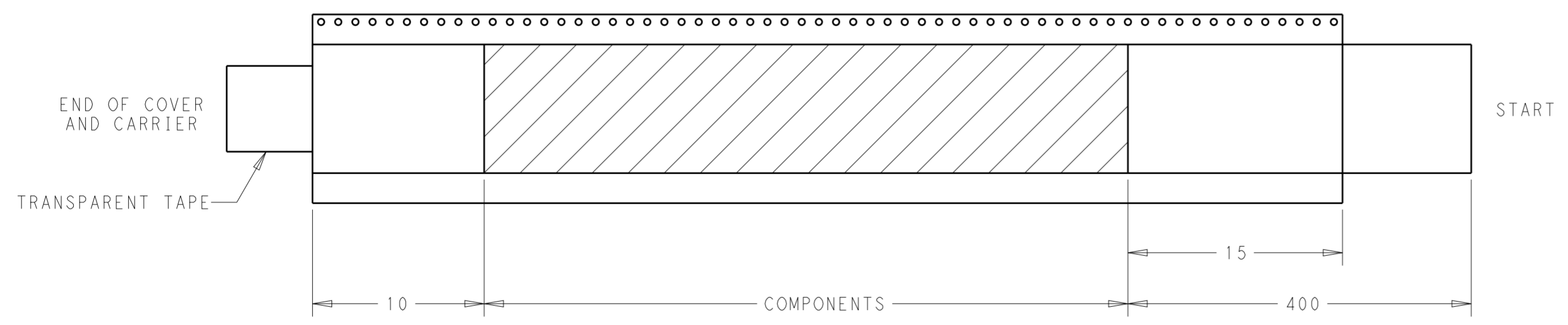
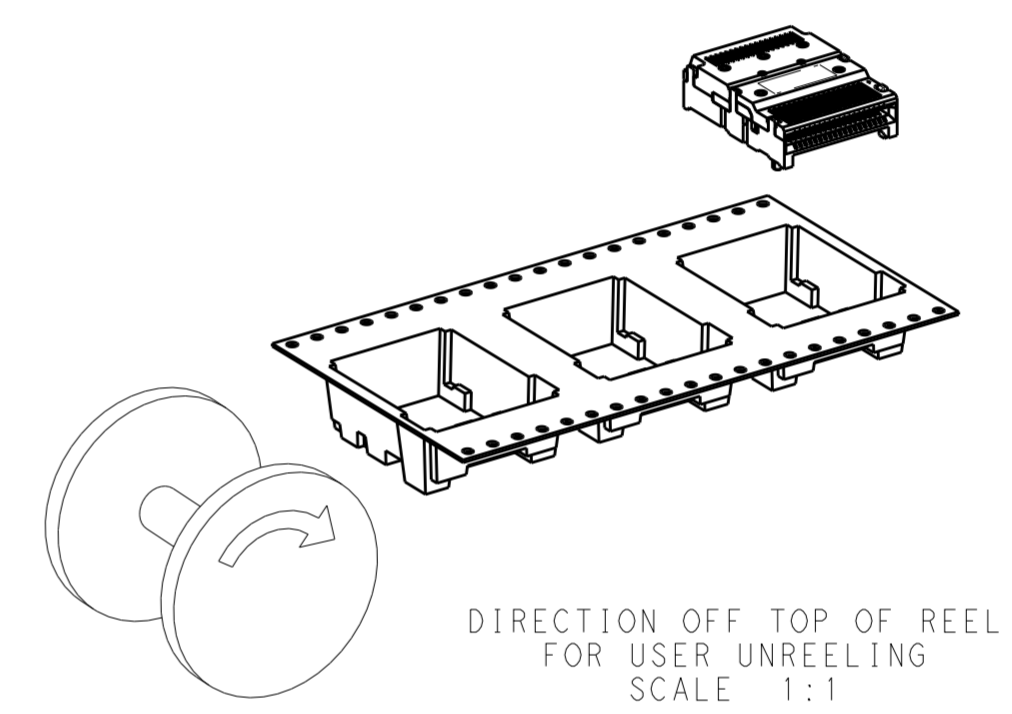
| | | | | |
|--|--|--------------------------------|---|--|
| THIS DRAWING IS A CONTROLLED DOCUMENT. | | DWN M. SHIRK 17APR2017 |  TE Connectivity | |
| DIMENSIONS: mm | | CHK J. WESTMAN 17APR2017 | | |
| TOLERANCES UNLESS OTHERWISE SPECIFIED: | | APVD - | NAME RECEPTACLE CONNECTOR, 76 POSITION, QSFP DD | |
| 0 PLC ±0.1 | | PRODUCT SPEC 108-130016 | SIZE A2 | |
| 1 PLC ±0.1 | | APPLICATION SPEC 114-130007 | CAGE CODE - | |
| 2 PLC ±0.1 | | WEIGHT - | DRAWING NO. C-2318579 | |
| 3 PLC ± | | CUSTOMER DRAWING | RESTRICTED TO - | |
| 4 PLC ± | | SCALE 5:1 | SHEET 2 OF 3 | |
| ANGLES ± | | REV A | | |
| FINISH | | | | |

THIS DRAWING IS UNPUBLISHED. RELEASED FOR PUBLICATION 20
 © COPYRIGHT 20 BY - ALL RIGHTS RESERVED.

| REVISIONS | | | | |
|-----------|-----|-------------|------|------|
| P | LTR | DESCRIPTION | DATE | APVD |
| - | - | SEE SHEET 1 | - | - |
| | | | | |
| | | | | |



SCALE 2:1



| | | | | | |
|--|--|---|-----------------|--|---|
| THIS DRAWING IS A CONTROLLED DOCUMENT. | | DWN M. SHIRK 17APR2017 | TE Connectivity | | |
| | | CHK J. WESTMAN 17APR2017 | | | |
| DIMENSIONS: mm | | TOLERANCES UNLESS OTHERWISE SPECIFIED: 0 PLC ± 0.1 1 PLC ± 0.1 2 PLC ± 0.1 3 PLC \pm 4 PLC \pm ANGLES \pm FINISH - | | APVD - PRODUCT SPEC 108-130016 APPLICATION SPEC 114-130007 WEIGHT - | NAME RECEPTACLE CONNECTOR, 76 POSITION, QSFP DD SIZE A2 CAGE CODE - DRAWING NO. C-2318579 RESTRICTED TO - |
| MATERIAL - | | CUSTOMER DRAWING | | SCALE 5:1 SHEET 3 OF 3 REV A | |