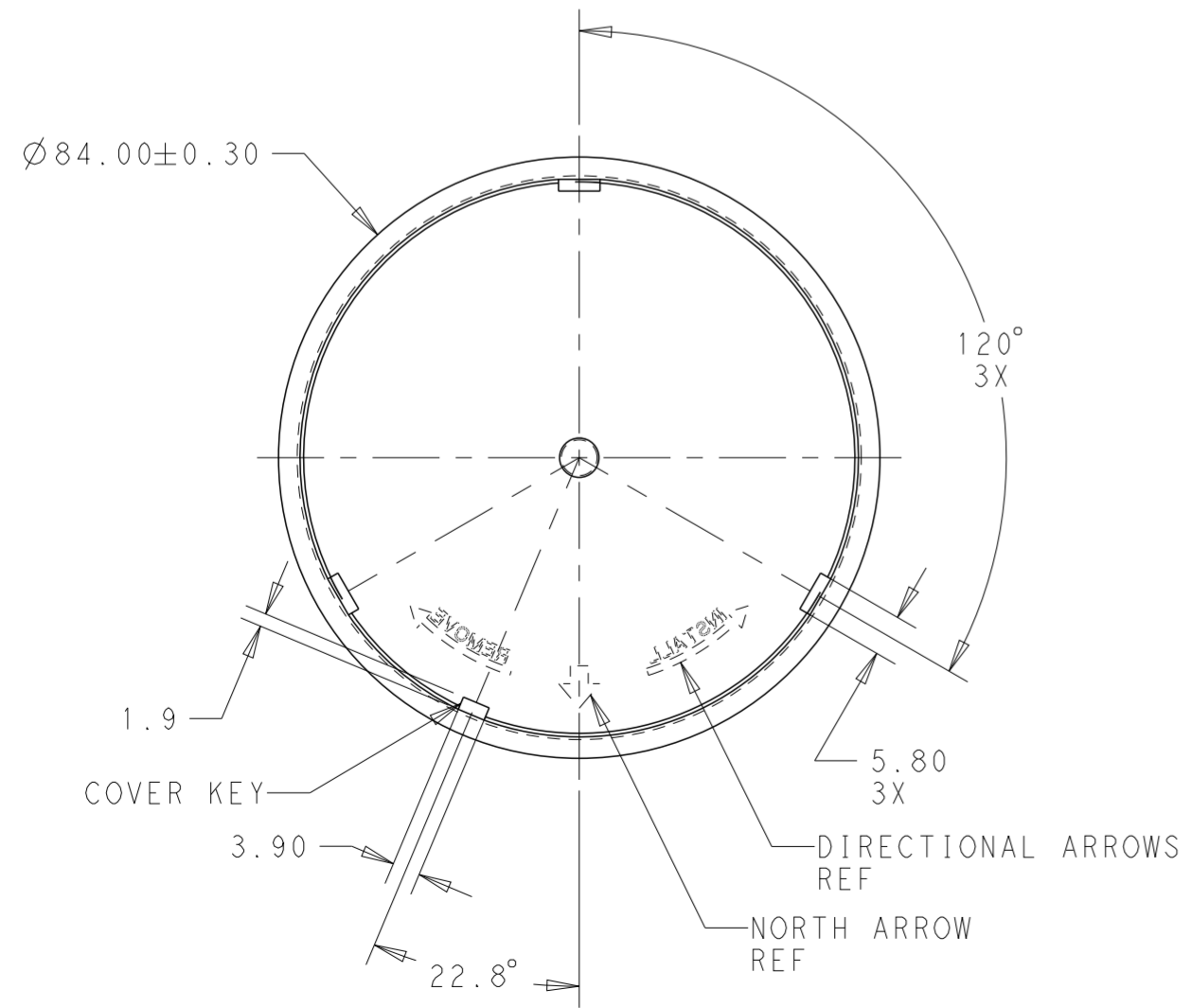
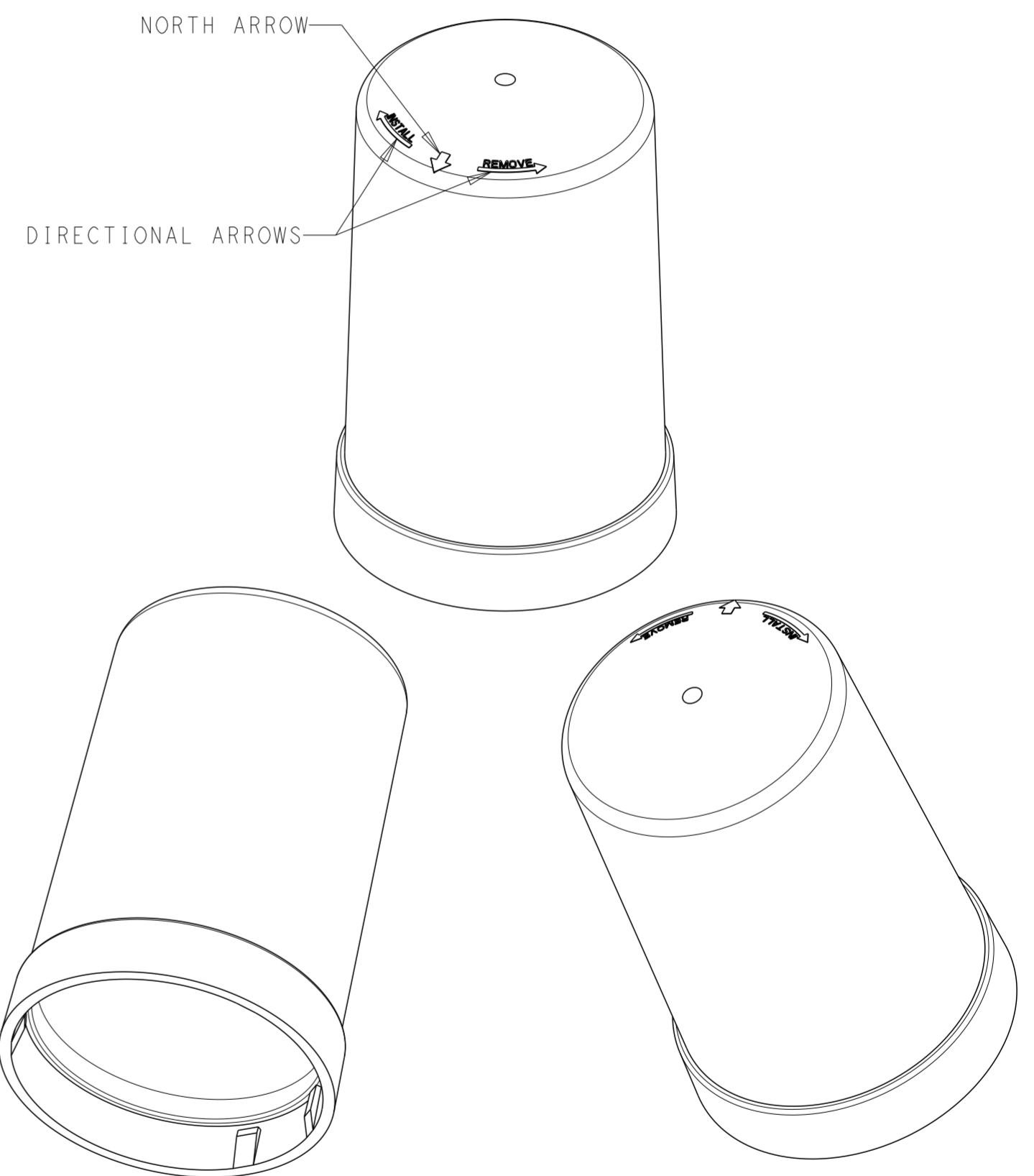
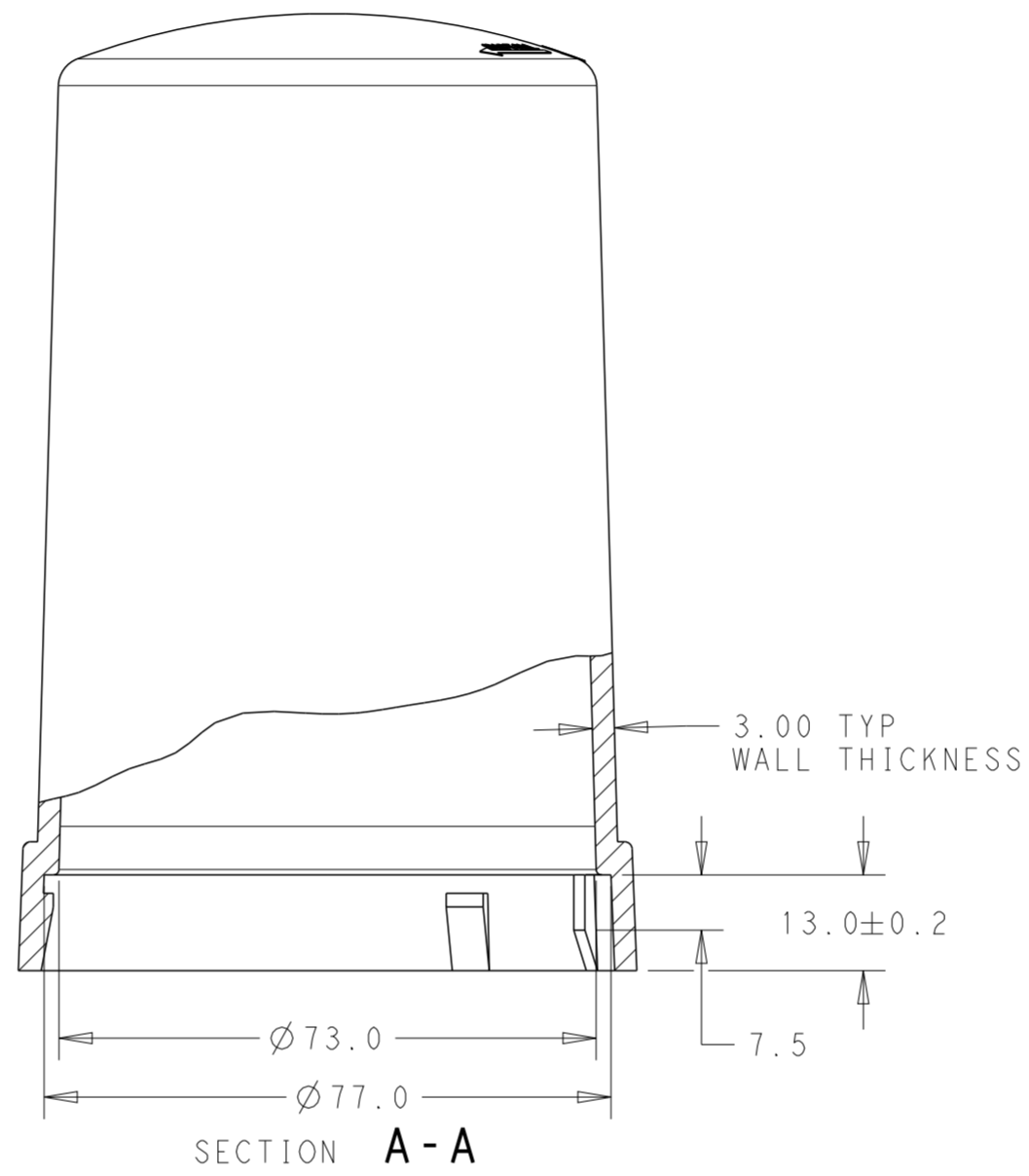
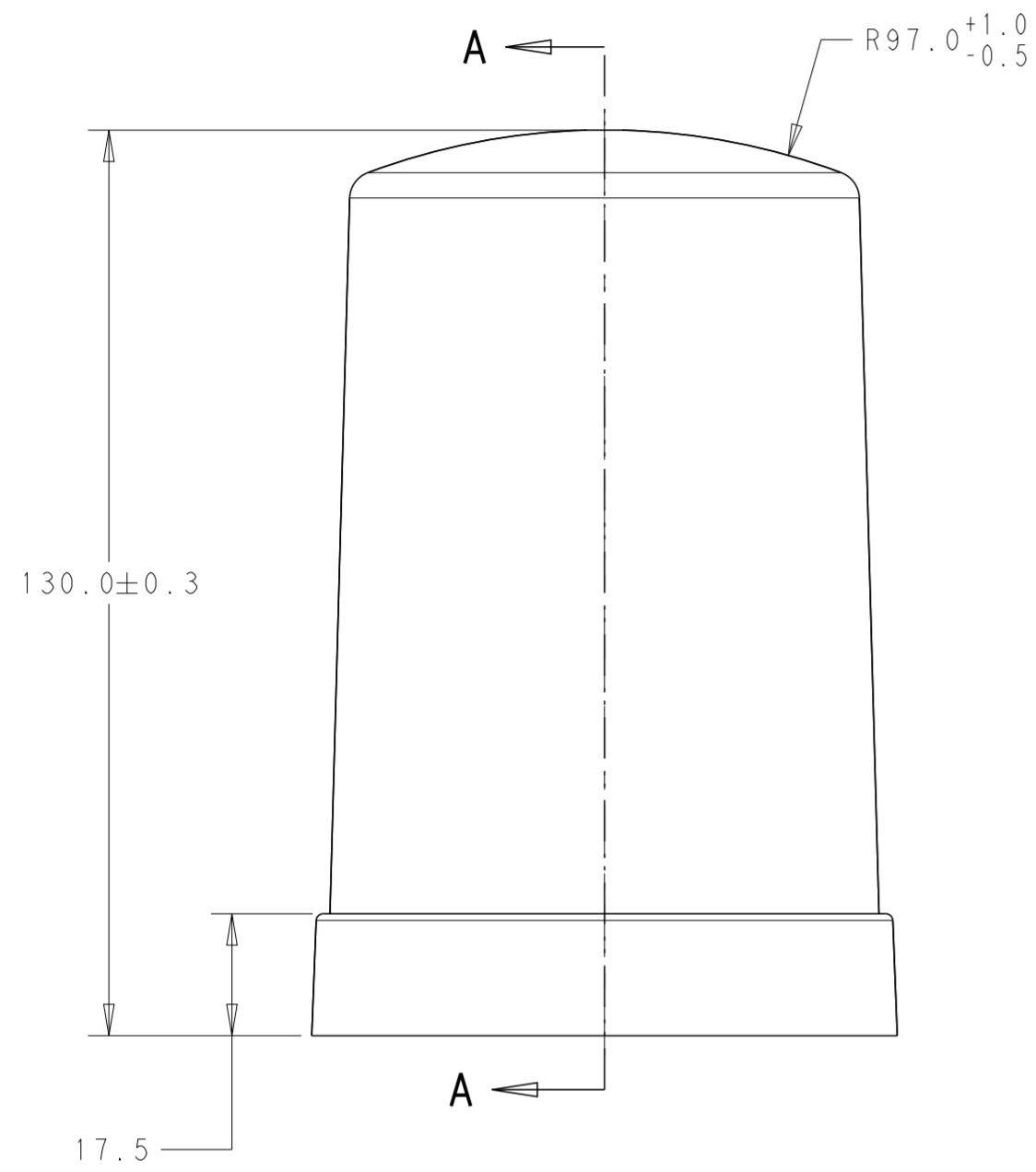


THIS DRAWING IS UNPUBLISHED. RELEASED FOR PUBLICATION 20  
 © COPYRIGHT 20 BY - ALL RIGHTS RESERVED.

REVISIONS					
P	LTR	DESCRIPTION	DATE	DWN	APVD
A		REVISED PER ECO-17-010638	21JUL2017	RK	DD
B		REVISED PER ECR-19-010486	10JUL2019	SR	DD
B1		REVISED PER ECR-25-264392	20MAR2026	GIC	MM

NOTES:

- 1 MATERIALS:  
HOUSING: POLYCARBONATE, UV 5VA RATED  
COLOR: SEE TABLE
- 2 MATING BASE TE P/N: 2213730-X
- 3. THIS PRODUCT HAS NOT COMPLETED VALIDATION TESTING.



OBSOLETE

78%	TRANSPARENT CLEAR	1-2306129-1
24%	TRANSPARENT SMOKE GRAY	2306129-1
APPROX LIGHT TRANSMISSION		COLOR
		PART NO.

THIS DRAWING IS A CONTROLLED DOCUMENT.		DWN J. SHAFFER 07JUL2016	TE Connectivity	
		CHK E. HOWARD 07JUL2016	COVER, LIGHT CONTROLLER, TALL, 76 DIA	
DIMENSIONS: mm		APVD -	NAME	
TOLERANCES UNLESS OTHERWISE SPECIFIED:		PRODUCT SPEC 108-32125	SIZE	A2
0 PLC ±		APPLICATION SPEC 114-32159	CAGE CODE	-
1 PLC ±0.2		WEIGHT	DRAWING NO	C-2306129
2 PLC ±0.13		CUSTOMER DRAWING	RESTRICTED TO	-
3 PLC ±		SCALE	1:1	SHEET
4 PLC ±			1	OF
ANGLES ±3°				1
FINISH				REV
				B1