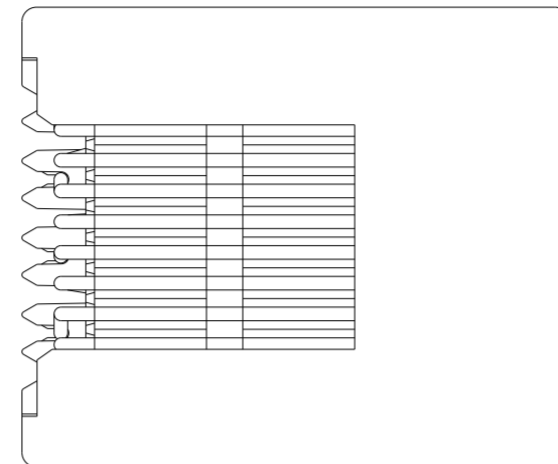
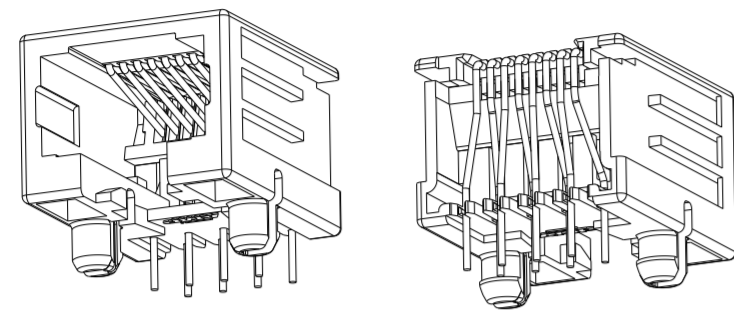


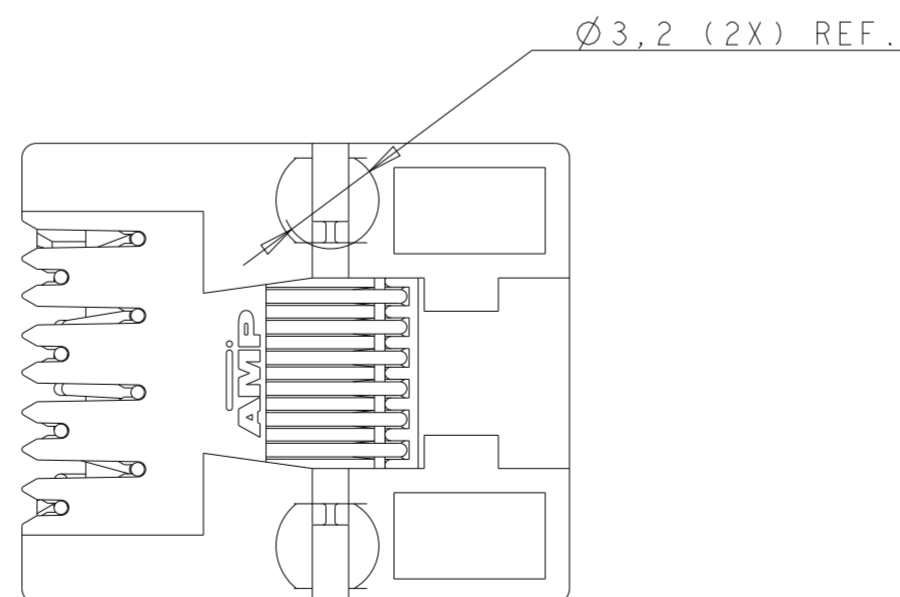
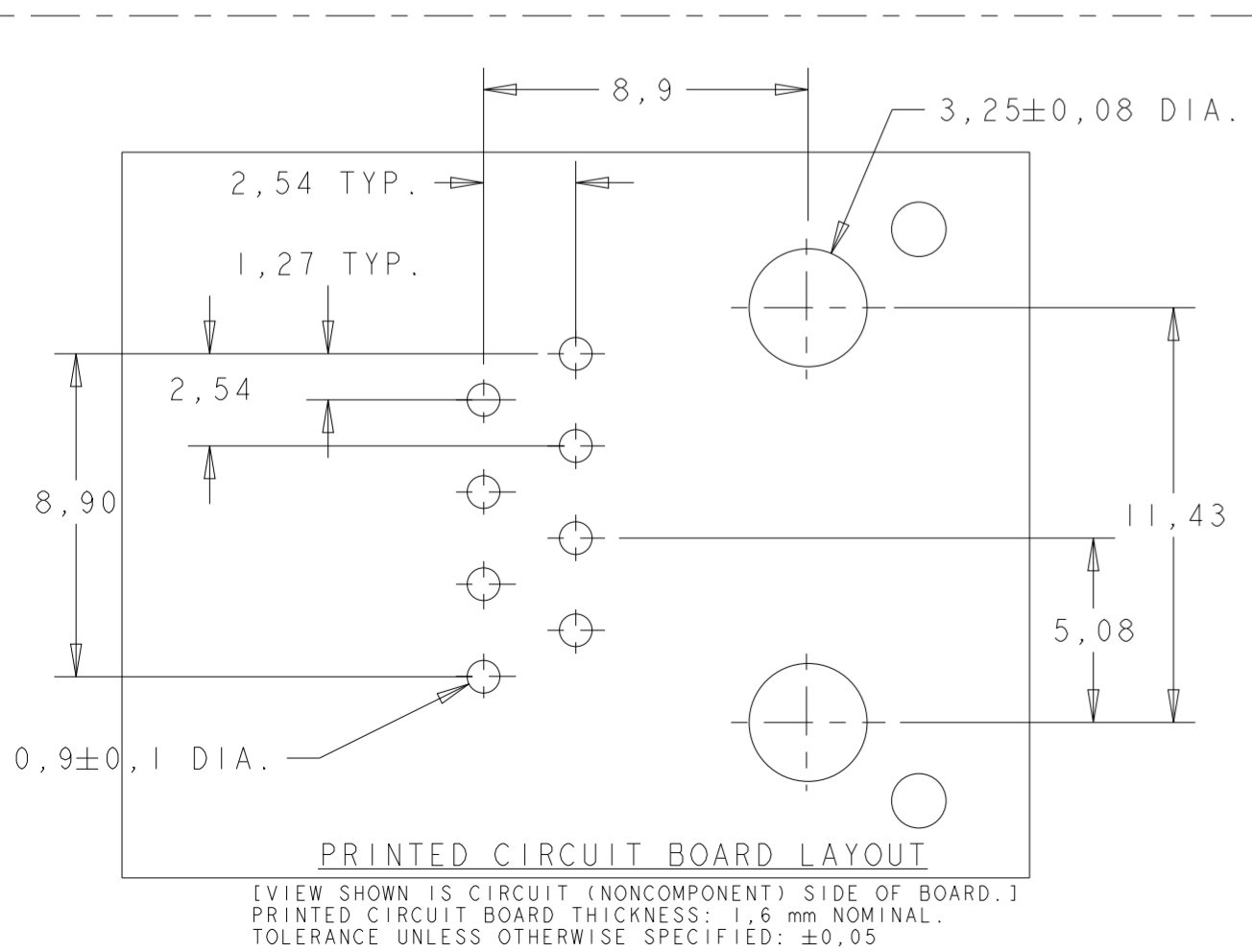
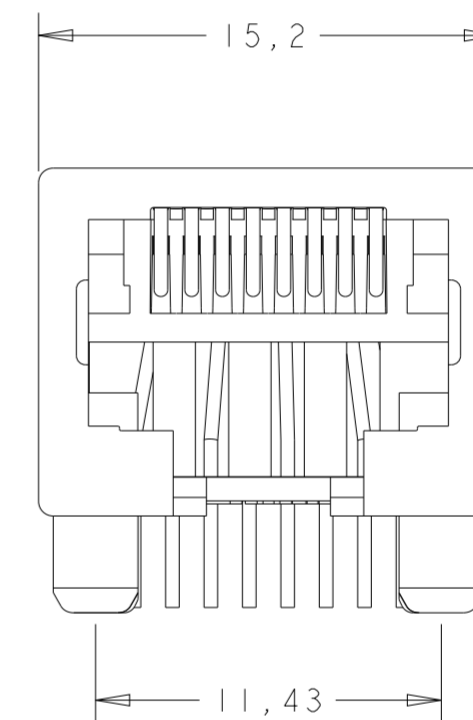
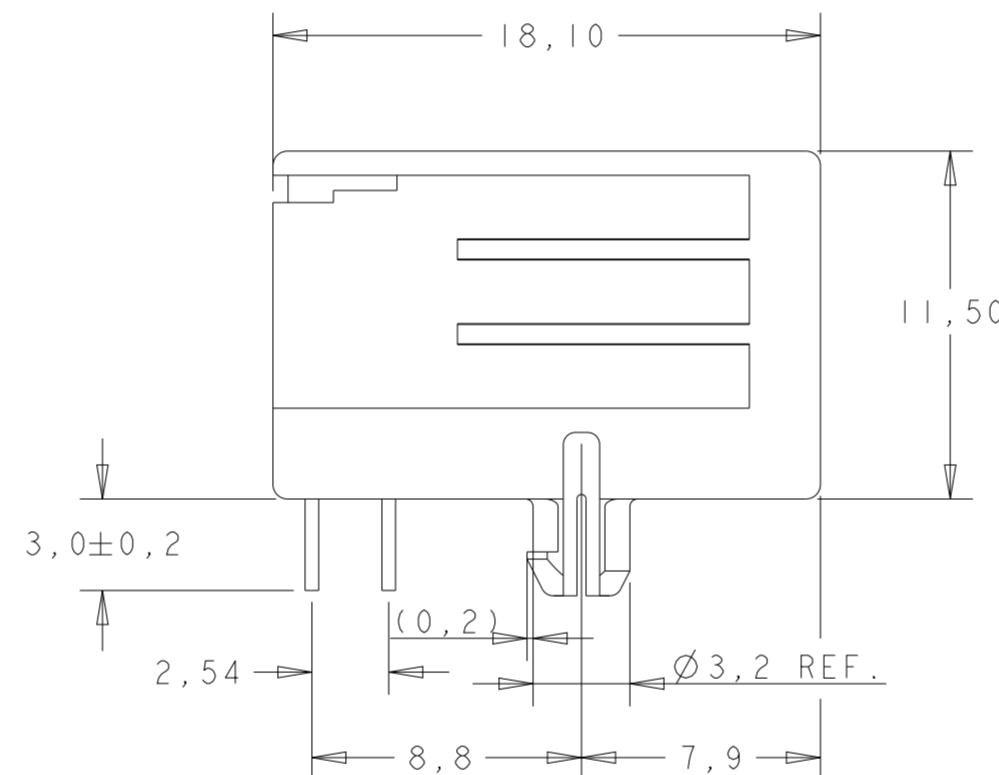
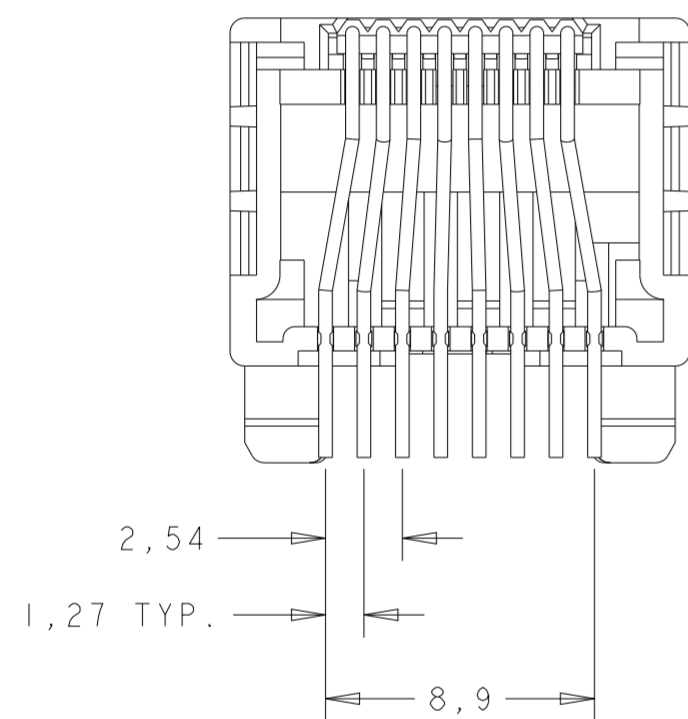
THIS DRAWING IS UNPUBLISHED. RELEASED FOR PUBLICATION
 © COPYRIGHT - ALL RIGHTS RESERVED.

LOC	DIST	REVISIONS					
		P	LTR	DESCRIPTION	DATE	DWN	APVD
IR	-	AF 1		REVISED PER ECO-12-008315	12MAY2015	AD	SH
		AF 2		ECR-21-115074	03JAN2022	RR	SZ
		AF 3		REVISED PER ECN-22-178770	15OCT2022	AK	SZ
		AF 4		REVISED PER ECN-25-333772	21JUL2025	TR	RK



NOTES:

- 1 TOLERANCE UNLESS OTHERWISE SPECIFIED: $\pm 0,15$.
- 2 FOR THIS PACKAGING METHOD THE TRUE POSITION OF THE SOLDER TINES IS NOT GUARANTEED.
- 3 SUPERSEDED BY 1-215877-3

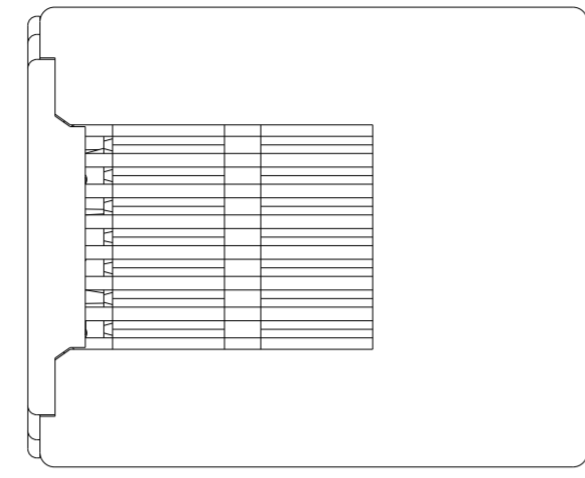
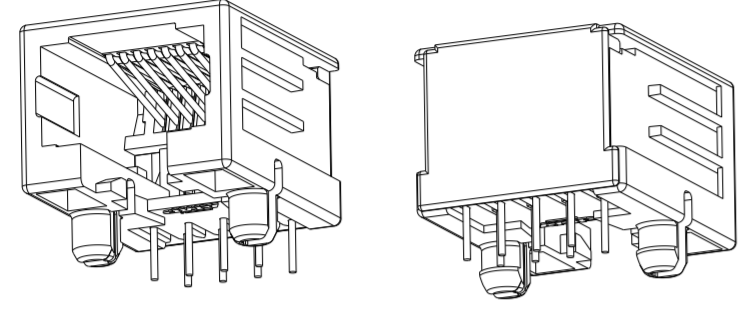


PACKAGING	REMARKS	FINISH	MATERIAL	ORDER NUMBER
1000 PIECES BULK PACKAGED			HOUSING COLOR: BLUE RAL 5017	4-215877-1
TRAY PACKAGED 1260 PCS/ SHIPPING BOX			HOUSING COLOR: GREY	3-215877-1
1000 PIECES BULK PACKAGED	8 POS. / 8 CONTACTS	OVERALL: Ni 1,27µm MIN. ALL OVER THE CONTACTS SOLDER ZONE: Sn 2,5µm MIN. ON THE SOLDER ZONE OF THE CONTACT MATING ZONE: PLATING CONFIRMS TO PRODUCT REQUIREMENTS AS PER SPECIFICATION 108-19064	HOUSING COLOR: BLACK PBT: UL 94V-0 CONTACT INSERT: PBT, UL 94V-0 CONTACTS: pb BRONZE	2-215877-1
200 PIECES IN A TRAY				1-215877-3
90 PIECES IN MULTI-TUBE				1-215877-1
TAPE MOUNTED 700 PCS./REEL				215877-1

THIS DRAWING IS A CONTROLLED DOCUMENT.		DWN E.v.Eijk	TE Connectivity	
DIMENSIONS: mm		CHK M.v.Essen		
TOLERANCES UNLESS OTHERWISE SPECIFIED:		APVD R.Smeets	NAME MODULAR JACK, 8 POS SIDE ENTRY FOR PRINTED CIRCUIT BOARD	
0 PLC ±0.2	1 PLC ±0.1	PRODUCT SPEC 108-19064	SIZE A2	CAGE CODE C-215877
2 PLC ±0.05	3 PLC ±0.025	APPLICATION SPEC 114-19019	DRAWING NO	RESTRICTED TO
4 PLC ±0.005	ANGLES ±0.5	FINISH	WEIGHT	
MATERIAL		CUSTOMER DRAWING	SCALE 4:1	SHEET 1 OF 2
				REV AF4

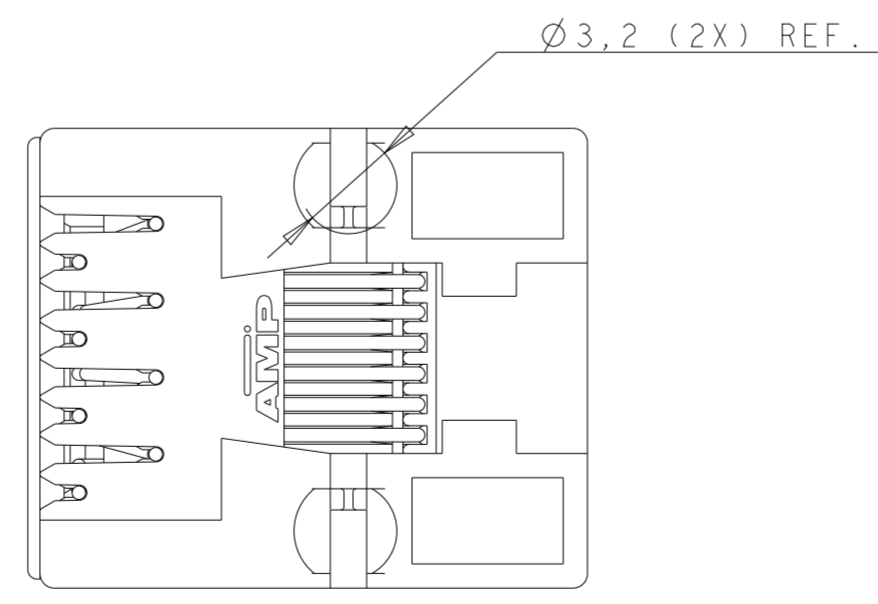
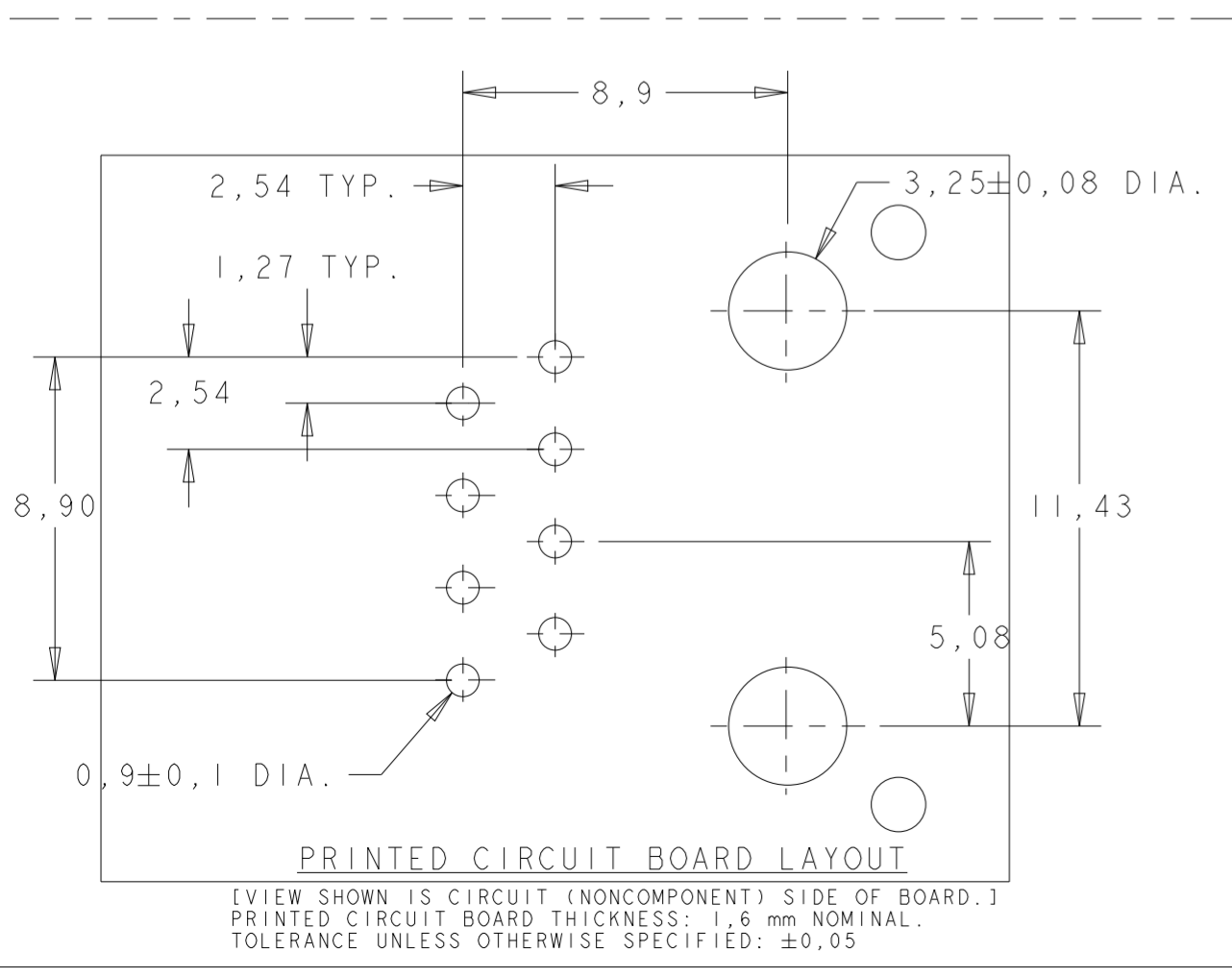
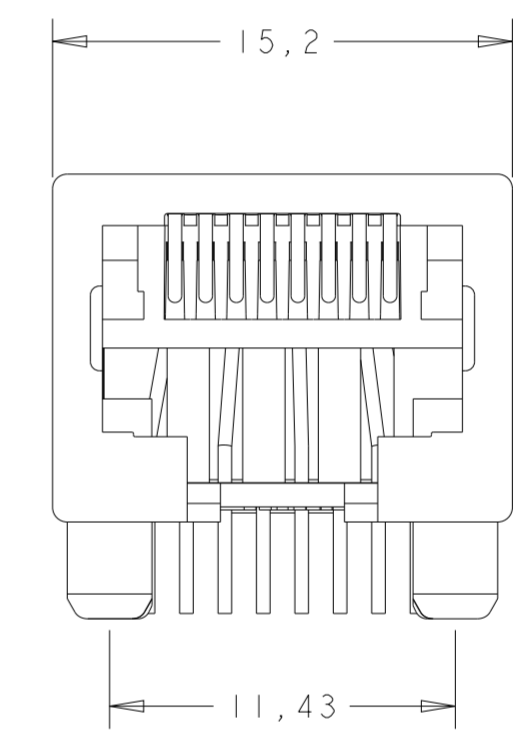
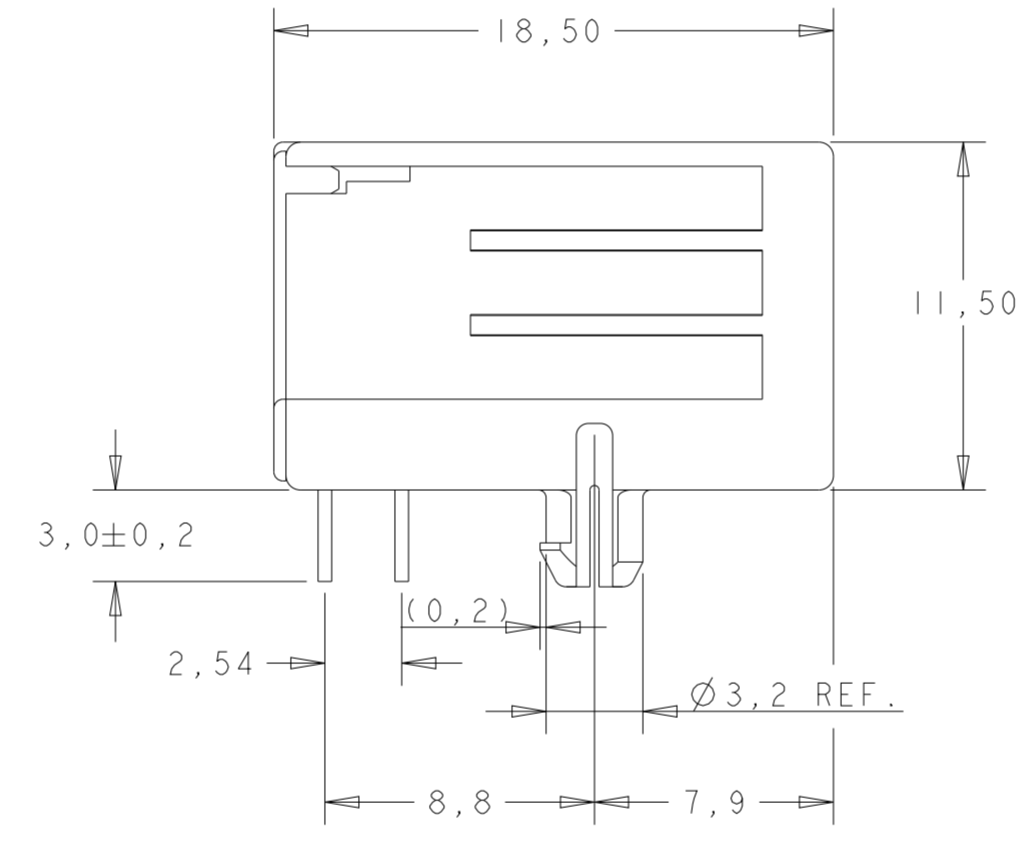
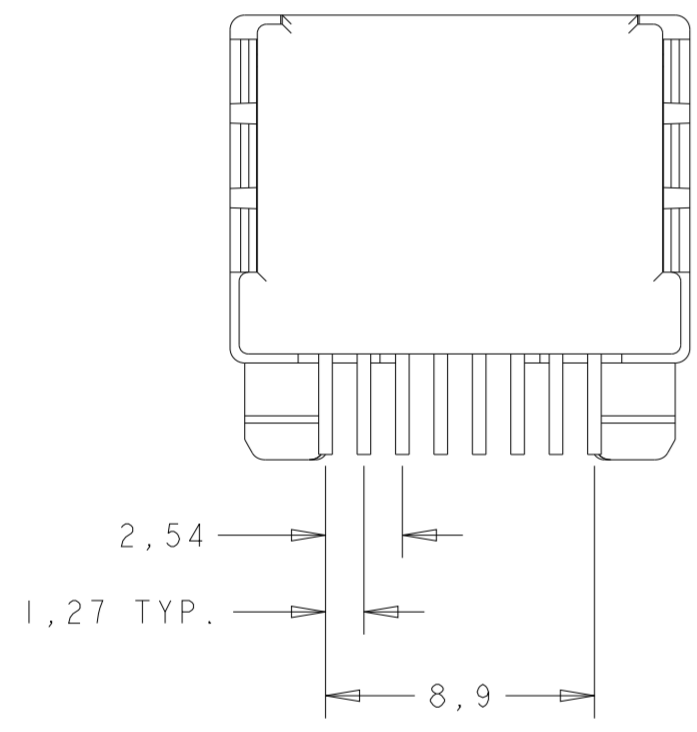
THIS DRAWING IS UNPUBLISHED. RELEASED FOR PUBLICATION
 © COPYRIGHT - ALL RIGHTS RESERVED.

LOC	DIST	REVISIONS			
P	LTR	DESCRIPTION	DATE	DWN	APVD
IR	-	SEE SHEET 1	-	-	-



NOTES:

- 1 TOLERANCE UNLESS OTHERWISE SPECIFIED: $\pm 0,15$.
- 2 FOR THIS PACKAGING METHOD THE TRUE POSITION OF THE SOLDER TINES IS NOT GUARANTEED.



PACKAGING	REMARKS	FINISH	MATERIAL	ORDER NUMBER
1000 PIECES BULK PACKAGED				INACTIVE 5-215877-3 NOT TOOLED
200 PIECES IN A TRAY	8 POS. / 8 CONTACTS		IN CONTACT AREA: 1,2µm MIN. SEL. GOLD OVER 1,2µm MIN. NICKEL. SOLDER TINES: 2,5µm MIN. TIN OVER 1,2µm MIN. NICKEL. HOUSING COLOR: BLACK PBT, UL 94V-0 CONTACT INSERT: PBT, UL 94V-0 CONTACT COVER: BLACK PBT, UL 94V-0 CONTACTS: PH BRONZE	INACTIVE 5-215877-2 NOT TOOLED
TAPE MOUNTED 700 PCS./REEL				INACTIVE 5-215877-1 NOT TOOLED

THIS DRAWING IS A CONTROLLED DOCUMENT.

DWN	E.v.Fijk	NAME	TE Connectivity	
CHK	M.v.Essen	PRODUCT SPEC	MODULAR JACK, 8 POS SIDE ENTRY FOR PRINTED CIRCUIT BOARD	
APVD	R.Smeets	APPLICATION SPEC	SIZE	CAGE CODE
		108-19064	A2	DRAWING NO
		114-19019		RESTRICTED TO
MATERIAL		WEIGHT		

CUSTOMER DRAWING SCALE 4:1 SHEET 2 OF 2 REV AF4