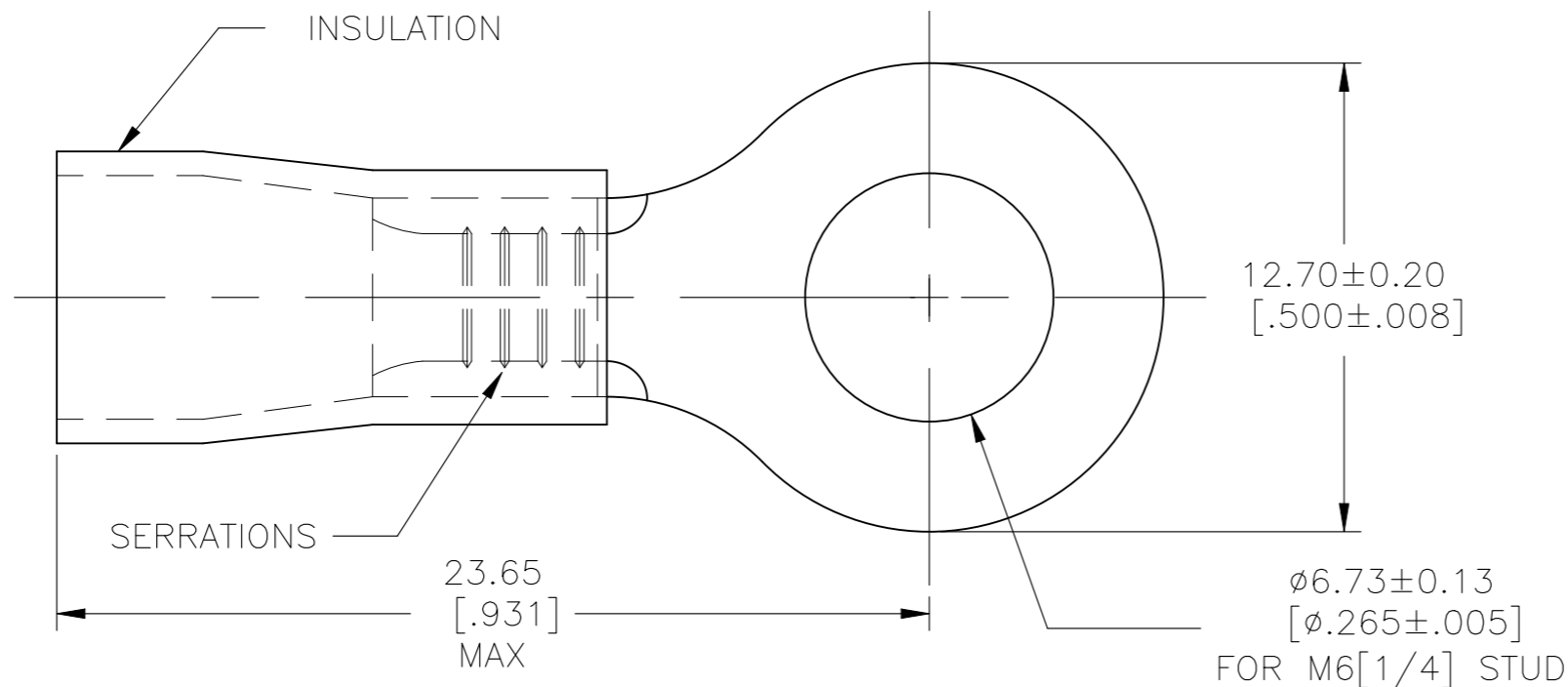
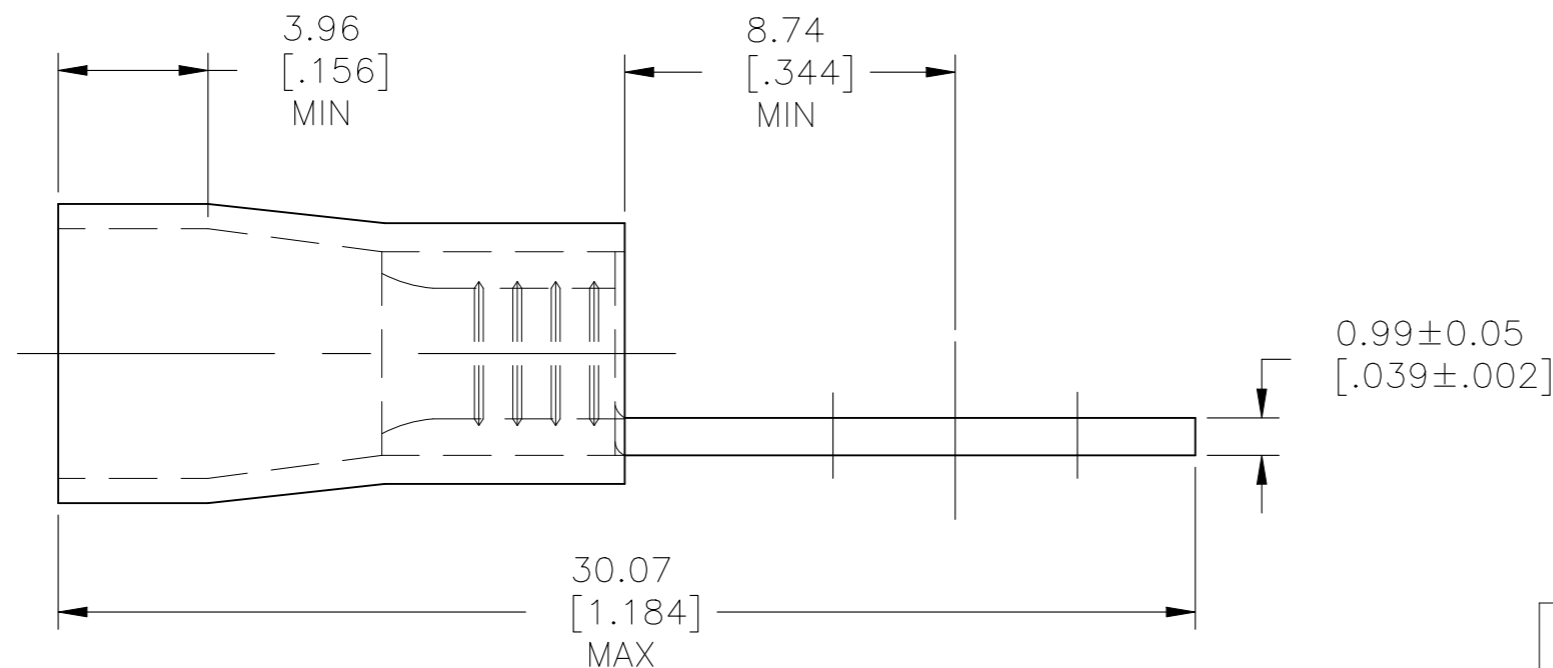


REVISIONS

P	LTR	DESCRIPTION	DATE	DWN	APVD
	A3	REVISED PER ECR-25-255998	11SEP2025	SA	DSC



- 1 COPPER PER ASTM B152
INSULATION: PVC, YELLOW
- 2 TIN PLATE PER ASTM B545
- 3. FOR 6.40[.252] TO 6.78[.267]
MAX INSULATION DIAMETER.



1 KIT = 250 PIECES	LOOSE PIECE	6-165035-0
500	LOOSE PIECE	165035
QTY	PACKAGE TYPE	PART NO

THIS DRAWING IS A CONTROLLED DOCUMENT.		DWN KIRAN HOLAL 06FEB12	STE TE Connectivity														
DIMENSIONS: mm [INCHES]		CHK ROHDE DANIEL 06FEB12															
TOLERANCES UNLESS OTHERWISE SPECIFIED:		APVD ROHDE DANIEL 06FEB12	NAME PLASTI GRIP TERMINAL, RING TONGUE, WIRE SIZE: 12-10 AWG														
<table border="0"> <tr><td>0 PLC</td><td>± -</td></tr> <tr><td>1 PLC</td><td>± -</td></tr> <tr><td>2 PLC</td><td>± -</td></tr> <tr><td>3 PLC</td><td>± -</td></tr> <tr><td>4 PLC</td><td>± -</td></tr> <tr><td>ANGLES</td><td>± -</td></tr> </table>		0 PLC	± -	1 PLC	± -	2 PLC	± -	3 PLC	± -	4 PLC	± -	ANGLES	± -	PRODUCT SPEC -	APPLICATION SPEC -		
0 PLC	± -																
1 PLC	± -																
2 PLC	± -																
3 PLC	± -																
4 PLC	± -																
ANGLES	± -																
MATERIAL		WEIGHT -	SIZE A3	CAGE CODE 00779	DRAWING NO C-165035												
FINISH		RESTRICTED TO -			SCALE 5:1												
1		CUSTOMER DRAWING			SHEET 1 OF 1												
2		REV A3															