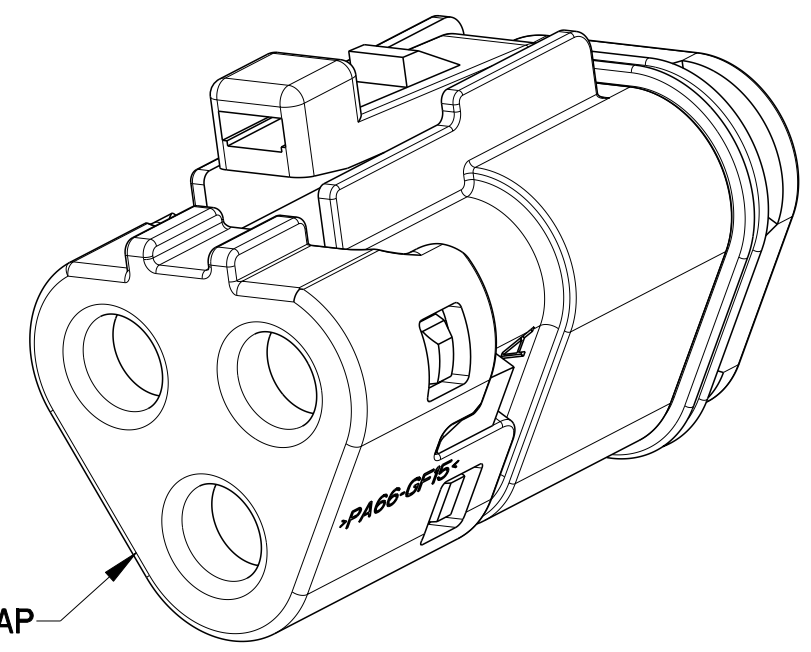
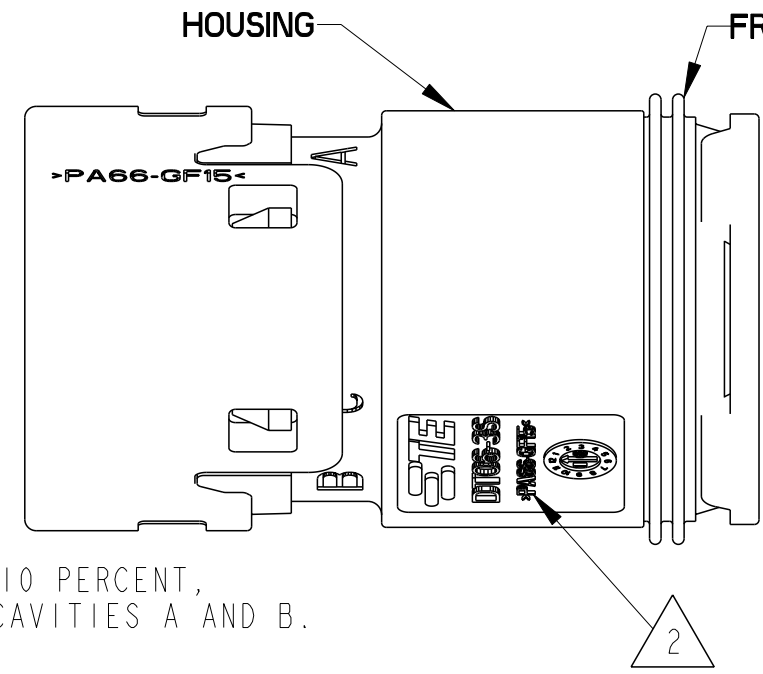
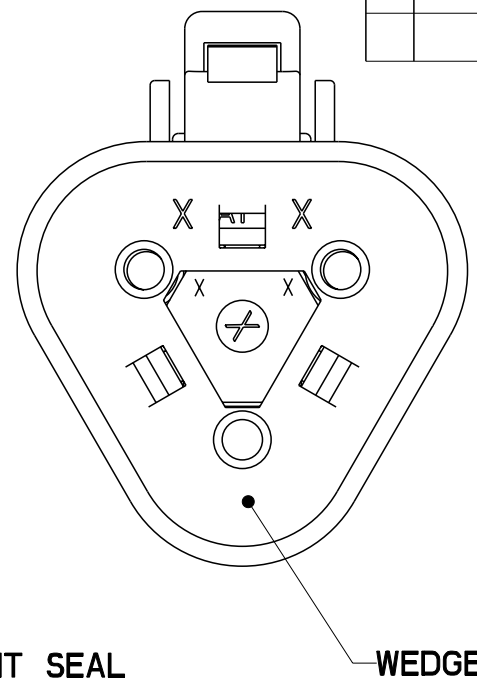
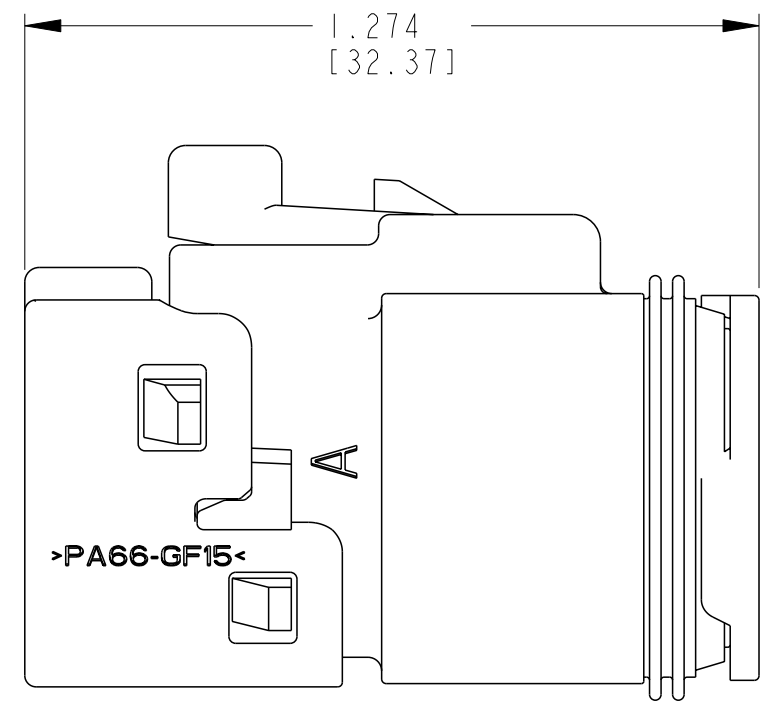
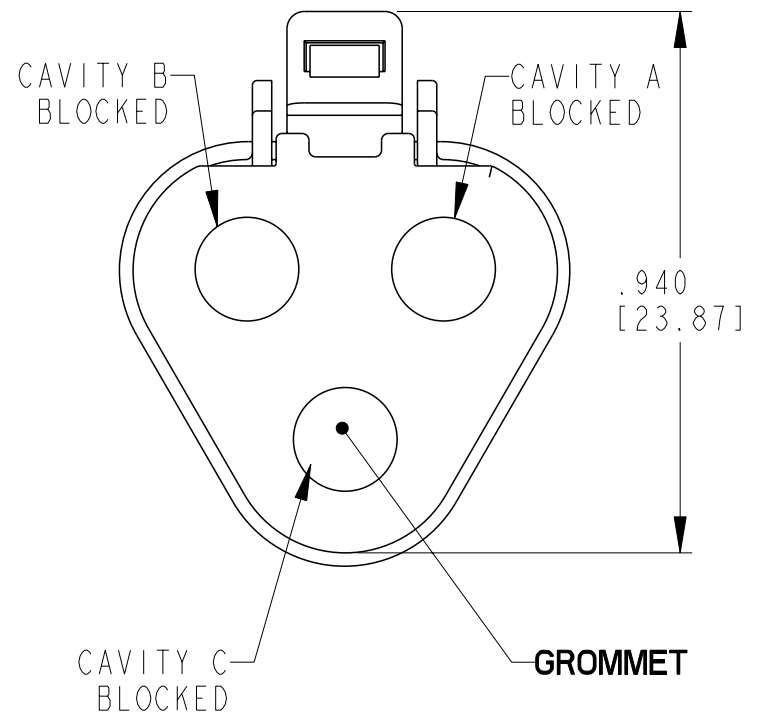


THIS DRAWING IS UNPUBLISHED  
 © COPYRIGHT 1998 BY TE CONNECTIVITY  
 RELEASED FOR PUBLICATION 2016  
 ALL RIGHTS RESERVED.

P	LTR	DESCRIPTION	DATE	DWN	APVD
A		REVISED PER E.O. P16093	5/14/99	-	RDR
D		REVISED PER PCN-24-210155	19APR2024	PS	CB
E		REVISED PER PCN-25-236481	25JUN2025	AJT	MB



- 4 RESISTOR CHARACTERISTICS: 120 OHMS±10 PERCENT, .4 WATTS MINIMUM INSERTED INTO THE CAVITIES A AND B.
- 3 THIS CONNECTOR CAN PASS THRU A ONE INCH [25.44] HOLE.

- 2 MATERIAL: HOUSING/CAP: PA66 GF15 (BLACK)  
 GROMMET: VMQ (RED-ORANGE)  
 FRONT SEAL: VMQ (RED-ORANGE)  
 WEDGE LOCK: PBT GF30 (BLUE)  
 SOCKET TERMINAL: COPPER ALLOY; GOLD PLATED

1 THIS PLUG MATES WITH THE DT04-3P-XXXX RECEPTACLE.  
 (XXXX = J1939 MODIFICATIONS.)  
 CONSULT FACTORY FOR MODIFICATIONS.  
 SECONDARY WEDGE LOCK W3S-1939-P012 IS KEYED AND INCLUDED TO PREVENT MISMATING AND MAY MATE WITH ALL 3 WAY DT SERIES RECEPTACLES.

NOTES:

TE INTERNAL PN	DEUTSCH PN
DT06-3S-PP01	DT06-3S-PP01

THIS DRAWING IS A CONTROLLED DOCUMENT.		DWN	S. THEIS	08NOV1998	 TE Connectivity	NAME 3 WAY PLUG WITH TERMINATING RESISTOR DT SERIES, PP01 MOD	RESTRICTED TO	
DIMENSIONS: in [mm]		CHK	S. THEIS	12MAY1999				
TOLERANCES UNLESS OTHERWISE SPECIFIED:		APVD	R. READ	14MAY1999				
0 PLC ± 1 PLC ± 2 PLC ± 3 PLC ±.025 [0.64] 4 PLC ± ANGLES ±1°		PRODUCT SPEC	108-151009					
MATERIAL	2	FINISH	114-151009		SIZE	A3	CAGE CODE	4AFU8
		WEIGHT		5.89g	DRAWING NO	G-DT06-3S-PP01		
		CUSTOMER DRAWING		SCALE	3:1	SHEET	1 OF 1	
						REV	E	