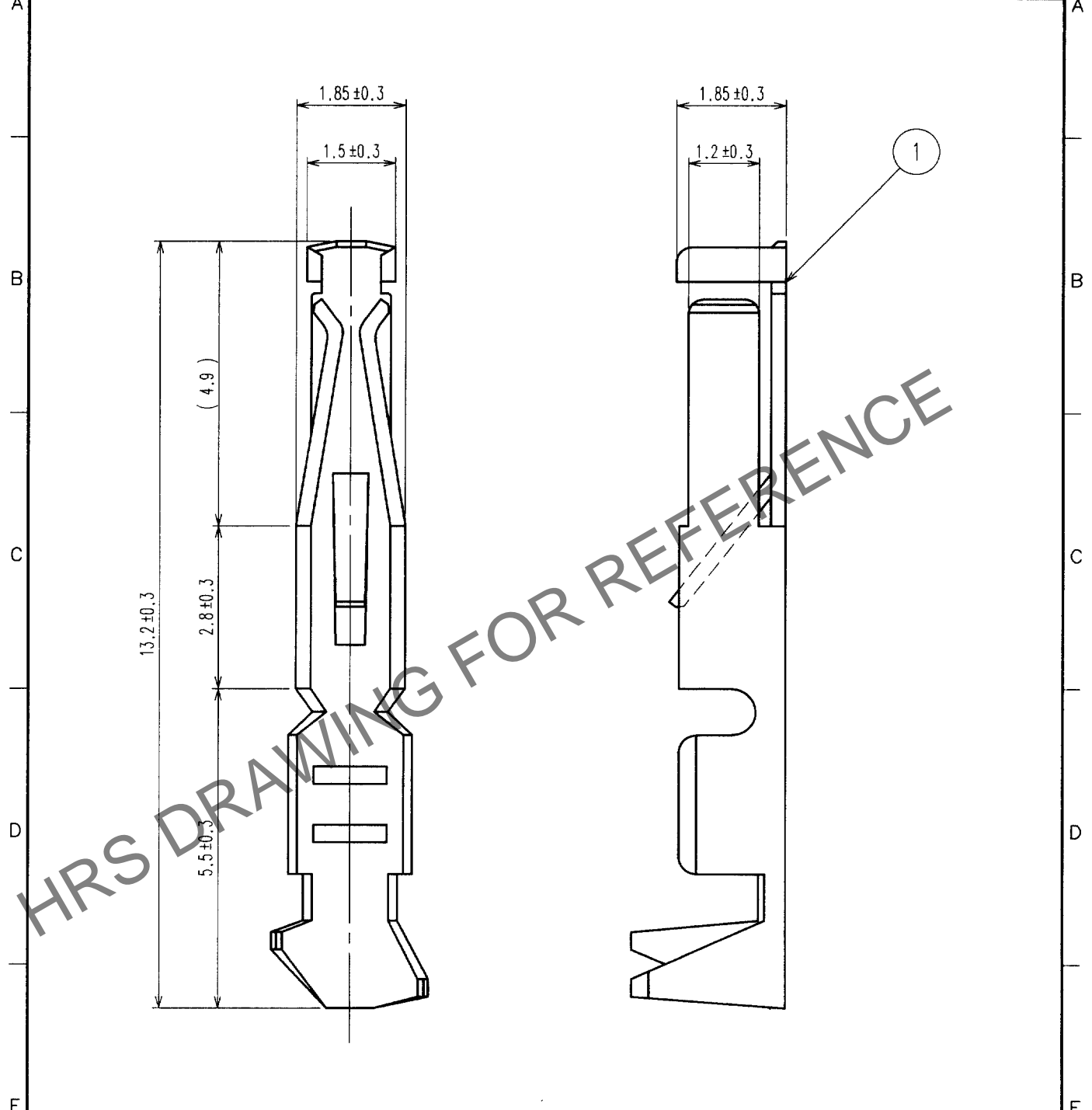


Feb. 1. 2026 Copyright 2026 HIROSE ELECTRIC CO., LTD. All Rights Reserved.
 In case of consideration for using Automotive equipment / device which demand high reliability, kindly contact our sales window correspondents.

1		2			3			4		
COUNT	DESCRIPTION OF REVISIONS	BY	CHKD	DATE	COUNT	DESCRIPTION OF REVISIONS	BY	CHKD	DATE	
△				. .	△				. .	
△					△				. .	
△					△				. .	



HRS DRAWING FOR REFERENCE

1	PHOSPHOR BRONZE	CONTACT AREA: Ni1μm + Au0.2μm
		OTHERS: Ni1μm
NO.	MATERIAL	FINISH, REMARKS

CODE NO. (OLD) CL	DRAWN H. Sugimura 02.10.19	DESIGNED H. Sugimura 02.10.19	CHECKED H. Ogawa 02.10.22	APPROVED <i>[Signature]</i> 02.10.22	RELEASED
----------------------	----------------------------------	-------------------------------------	---------------------------------	--	----------

 SCALE 10 : 1 UNITS mm	DRAWING NO. EDC4-019766	PART NO. PCN10-2226SC
	 HIROSE ELECTRIC CO., LTD.	CODE NO. CL583-0216-8

TO
PCK

1/1

