

Dec.1.2025 Copyright 2025 HIROSE ELECTRIC CO., LTD. All Rights Reserved.  
 In case of consideration for using Automotive equipment / device which demand high reliability, kindly contact our sales window correspondents.

1 2 3 4 5 6 7 8

A

B

C

D

E

F

A

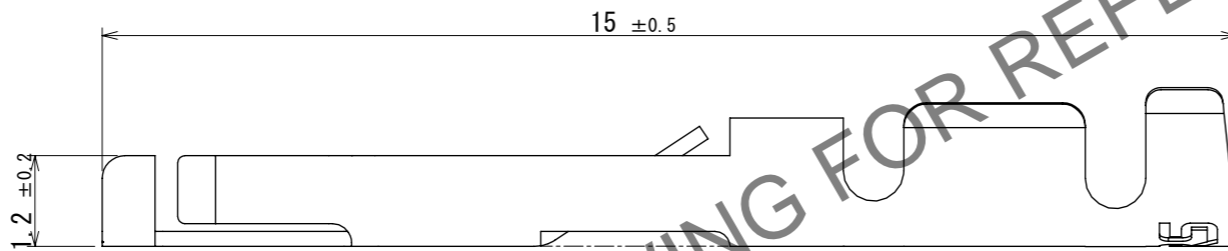
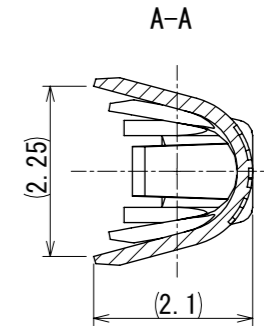
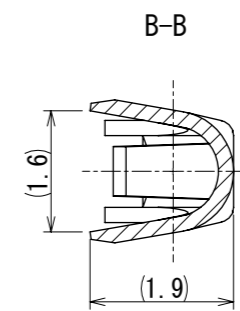
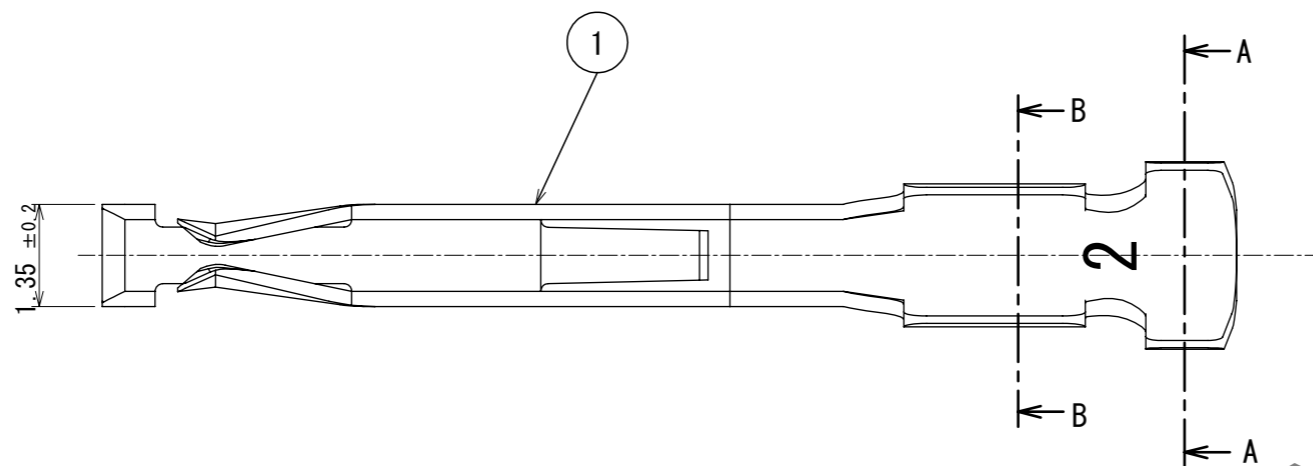
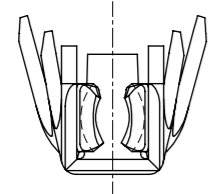
B

C

D

E

F



HRS DRAWING FOR REFERENCE

- Notes 1 This product is apply to the wire #20 to #25(Wire jacket diameter  $\phi 1.7$  MAX.)  
 2 Per pack:100 contacts.  
 3 Contact area : Gold plating  $0.2\mu\text{m}$  min.  
 Terminal area : Nickel plating  $2\mu\text{m}$  min.  
 Under plating : Nickel  $2\mu\text{m}$  min.

△ CAD change

1	Phosphor bronze	3						
NO.	MATERIAL	FINISH	REMARKS	NO.	MATERIAL	FINISH	REMARKS	
UNITS		SCALE	COUNT	DESCRIPTION OF REVISIONS		DESIGNED	CHECKED	DATE
mm		10:1	1	DIS-C-00019083		HY. KISHI	HY. KOBAYASHI	2025. 01. 30
HIROSE ELECTRIC CO., LTD.		APPROVED : MO. SATOH	2008. 11. 12	DRAWING NO.		EDC-116078-00-00		
		CHECKED : TH. KAMEYA	2008. 11. 11	PART NO.		HR34B-SC1-111		
		DESIGNED : DS. MATSUNE	2008. 11. 11	CODE NO.		GL0134-0051-7-00		
		DRAWN : DS. MATSUNE	2008. 11. 11					

FORM HC0011-5 1 2 3 4 5 6 7 8