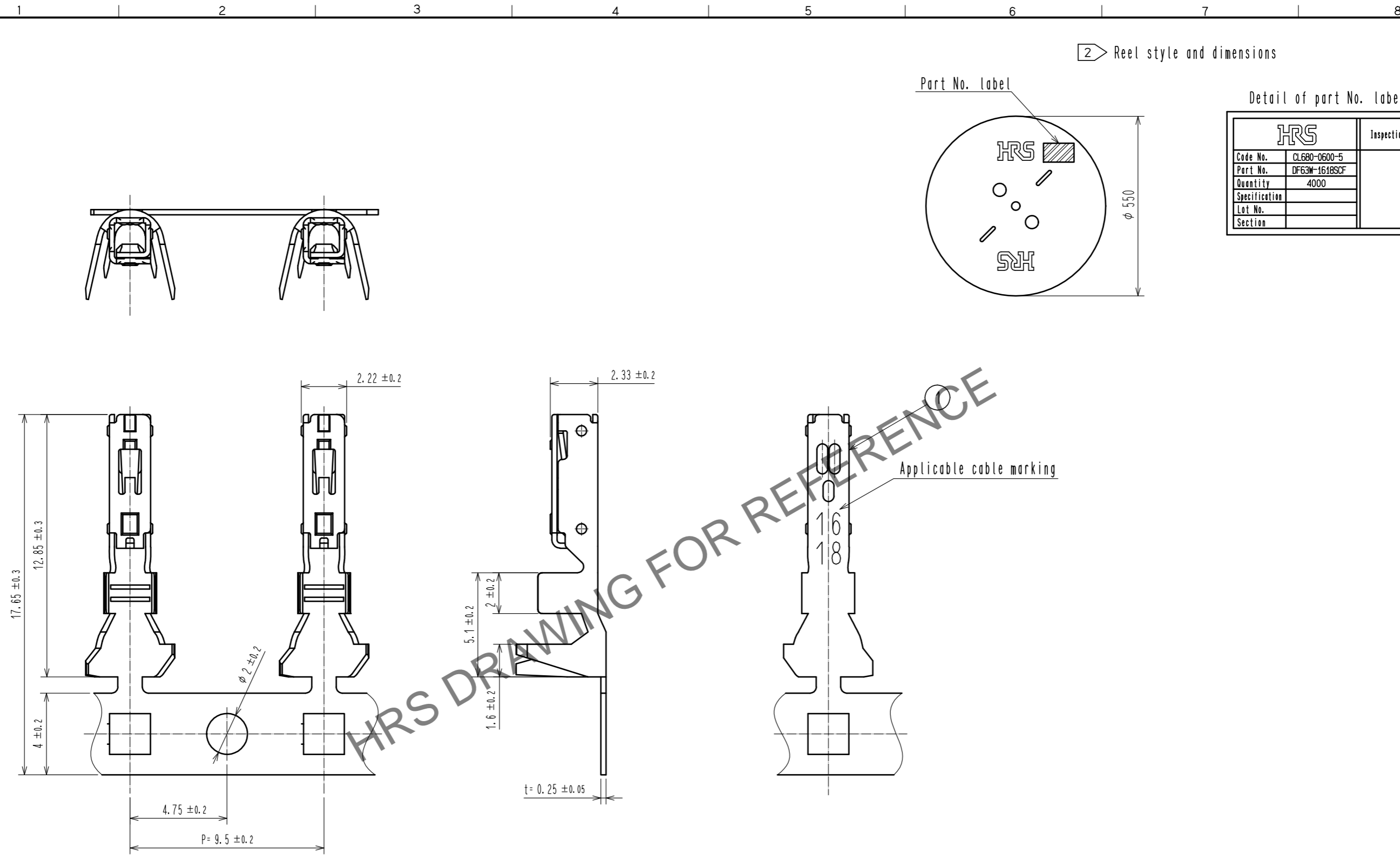


Apr.1.2026 Copyright 2026 HIROSE ELECTRIC CO., LTD. All Rights Reserved.
 In case of consideration for using Automotive equipment / device which demand high reliability, kindly contact our sales window correspondents.



Detail of part No. label

HRS		Inspection
Code No.	CL680-0600-5	
Part No.	DF63W-1618SCF	
Quantity	4000	
Specification		
Lot No.		
Section		

- Notes
- 1RL : 4000 contacts.
 - Style of reel and box are shown in figure.
 - Up to 4 reels are packed up in one box.
 - Please be sure to check the form of crimping using a cable when you adjust applicator.

1	Phosphor bronze	Tin plating : 1μm MIN
NO.	MATERIAL	FINISH . REMARKS

UNITS mm		SCALE 5 : 1	COUNT 	DESCRIPTION OF REVISIONS	DESIGNED	CHECKED	DATE
HRS HIROSE ELECTRIC CO., LTD.		APPROVED : HK. UMEHARA	15.03.10	DRAWING NO.	EDC-359204-00-00		
		CHECKED : HK. UMEHARA	15.03.10	PART NO.	DF63W-1618SCF		
		DESIGNED : TO. HORII	15.03.10	CODE NO.	CL680-0600-5-00		
		DRAWN : TO. HORII	15.03.10		1/1		