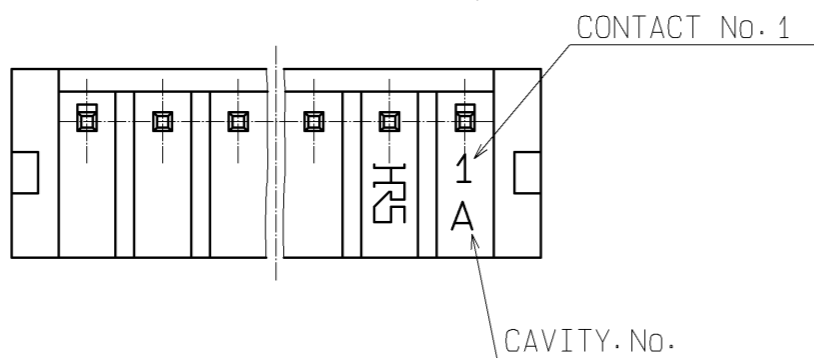
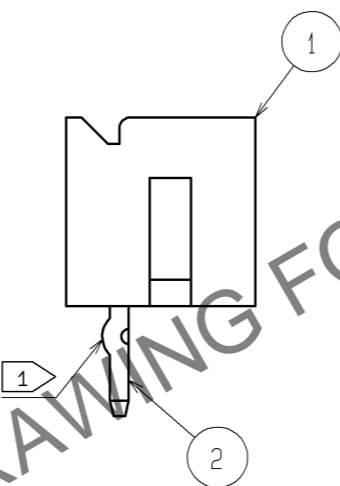
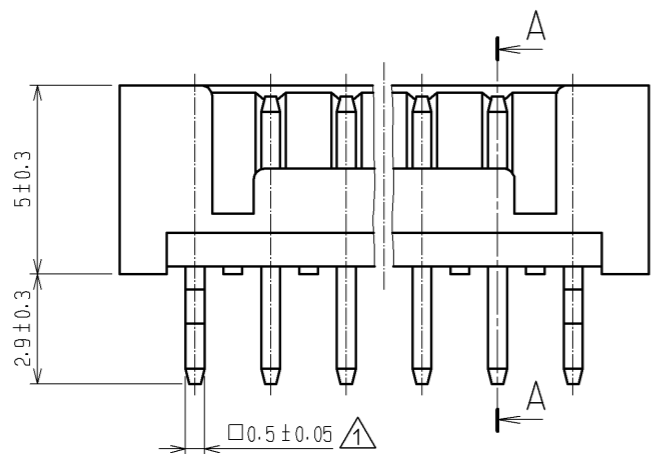
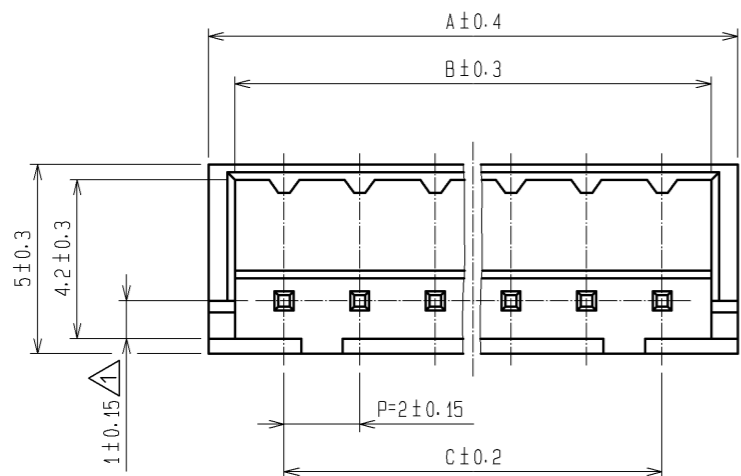
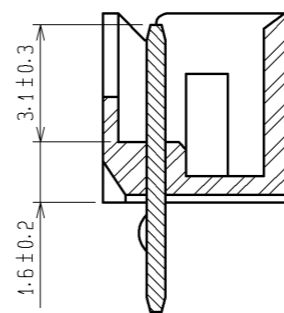


Apr.1.2026 Copyright 2026 HIROSE ELECTRIC CO., LTD. All Rights Reserved.
In case of consideration for using Automotive equipment / device which demand high reliability, kindly contact our sales window correspondents.

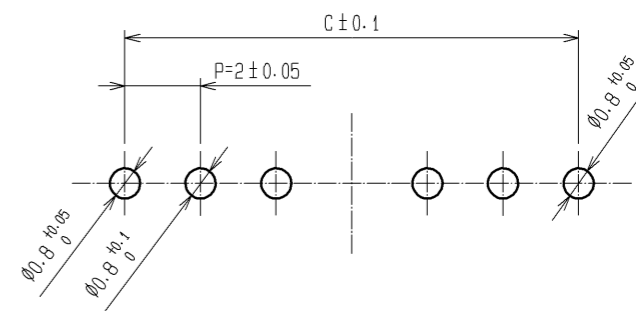


HRS NO.	PART NO.	NUMBER OF CONTACT	A	B	C
CL543-0017-2-01	DF3- 2P-2DSA(01)	2	6.0	4.6	2.0
CL543-0018-5-01	DF3- 3P-2DSA(01)	3	8.0	6.6	4.0
CL543-0019-8-01	DF3- 4P-2DSA(01)	4	10.0	8.6	6.0
CL543-0020-7-01	DF3- 5P-2DSA(01)	5	12.0	10.6	8.0
CL543-0021-0-01	DF3- 6P-2DSA(01)	6	14.0	12.6	10.0
CL543-0022-2-01	DF3- 7P-2DSA(01)	7	16.0	14.6	12.0
CL543-0023-5-01	DF3- 8P-2DSA(01)	8	18.0	16.6	14.0
CL543-0024-8-01	DF3- 9P-2DSA(01)	9	20.0	18.6	16.0
CL543-0025-0-01	DF3-10P-2DSA(01)	10	22.0	20.6	18.0
CL543-0026-3-01	DF3-11P-2DSA(01)	11	24.0	22.6	20.0
CL543-0027-6-01	DF3-12P-2DSA(01)	12	26.0	24.6	22.0
CL543-0028-9-01	DF3-13P-2DSA(01)	13	28.0	26.6	24.0
CL543-0029-1-01	DF3-14P-2DSA(01)	14	30.0	28.6	26.0
CL543-0030-0-01	DF3-15P-2DSA(01)	15	32.0	30.6	28.0

A-A



RECOMMENDED PATTERN



NOTES ①: No. 1 AND * CONTACT SHALL BE PROCESSED KINK. (*=2-15)

1	POLYAMIDE	BLACK, UL94V-0	2	BRASS	SURFACE:GOLD PLATED 0.2μm MIN. UNDER PLATING:NICKEL PLATED 0.5μm MIN.
NO.	MATERIAL	FINISH, REMARKS	NO.	MATERIAL	FINISH, REMARKS
UNITS mm		SCALE 5 : 1	COUNT 3	DESCRIPTION OF REVISIONS DIS-H-004736	DESIGNED MI. SAKIMURA
		APPROVED : KJ. KATAYOSE	05.01.05	DRAWING NO. EDC3-162396-01	CHECKED TS. FUKUSHIMA
HIROSE ELECTRIC CO., LTD.		CHECKED : KI. AKIYAMA	05.01.05	PART NO. DF3- *P-2DSA(01)	DATE 10.04.12
		DESIGNED : TH. ARAI	05.01.05	CODE NO. DF3- *P-2DSA(01)	
		DRAWN : TH. ARAI	05.01.05		