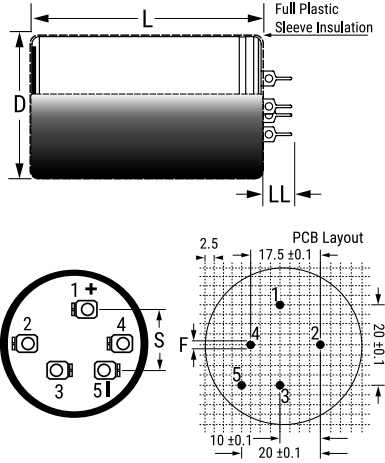


ALP22A103DF100

Not for New Design

ALP22, Aluminum, Aluminum Electrolytic, 10,000 uF, 20%, 100 VDC, -40/+85°C, 20 mm



Click [here](#) for the 3D model.

General Information

Series	ALP22
Dielectric	Aluminum Electrolytic
Description	Solder Pin, Aluminum Electrolytic
RoHS	Yes
Lead	5 Pin Solder
Typical Component Weight	170 g
Notes	Dimensions D And L Include Slewing.

Dimensions	
D	40mm +/-1mm
L	105mm +/-2mm
S	20mm +/-0.1mm
LL	7.5mm +/-0.5mm
F	1.3mm

Packaging Specifications	
Slewing	Yes
Packaging	Tray

Specifications	
Capacitance	10,000 uF
Tolerance	20%
Voltage DC	100 VDC, 115 VDC (Surge)
Temperature Range	-40/+85°C
Rated Temperature	85°C
Life	26000 Hrs
Leakage Current	6000 uA (5min 20°C)

Statements of suitability for certain applications are based on our knowledge of typical operating conditions for such applications, but are not intended to constitute - and we specifically disclaim - any warranty concerning suitability for a specific customer application or use. This Information is intended for use only by customers who have the requisite experience and capability to determine the correct products for their application. Any technical advice inferred from this Information or otherwise provided by us with reference to the use of our products is given gratis, and we assume no obligation or liability for the advice given or results obtained.