



Image for illustrative purpose only

## Summary

[Request a quote](#)

r series

|                                    |   |
|------------------------------------|---|
| Number of contacts Low Voltage     | 13  |
| Wire Size/AWG                      | 32 - 28   |
| Socket / Receptacle                | Socket / Receptacle - Fixed Panel Front Mounted |
| Locking system                     | Push-pull                                       |
| Jacket cable outside diameter [mm] | 1.00 - 4.00 mm                                  |
| Size                               | RR  |
| Suggested matching part            | <a href="#">FGG.RR.313.ALC40</a>                |

[https://www.lemo.com/int\\_en/egg-rr-313-alm.html](https://www.lemo.com/int_en/egg-rr-313-alm.html)

LEMO products and services are provided "as is". LEMO makes no warranties or representations with regard to LEMO product & services or use of them, express, implied or statutory, including for accuracy, completeness, or security. The user is fully responsible for his products and applications using LEMO components.

# Technical details

## Electrical Configuration

|                                       |                           |
|---------------------------------------|---------------------------|
| Number of contacts Low Voltage        | 13                        |
| Contact Termination Low voltage       | Crimp                     |
| Insert configuration value            | RR.313 - 13 low voltage   |
| Insulator                             | L: PEEK (UL 94 / V-0/1.5) |
| Rated current                         | 0,5 A                     |
| Test voltage (kV rms) Contact-contact | 0.6                       |
| Contact Dia.                          | 0.5                       |
| Wire Size/AWG                         | 32 - 28                   |

## Form & Material

|                        |   |
|------------------------|---|
| Shell style / Model id | EGG - Fixed receptacle, key (G) or key (A)                                  |
| Socket / Receptacle    | Fixed Panel Front Mounted   |
| Housing material       | Crastin® PBT (Polybutylene terephthalate), blue                             |
| Locking system         | Push-pull   |
| Keying                 | 3 keys (alpha=50,beta=30, plug: male contacts, receptacle: female contacts) |
| Weight                 | 2.84 g  |

## Environment

|                                   |                 |
|-----------------------------------|-----------------|
| Environmental sealing (IP rating) | IP50            |
| Temperature range                 | -30°C / +150° C |

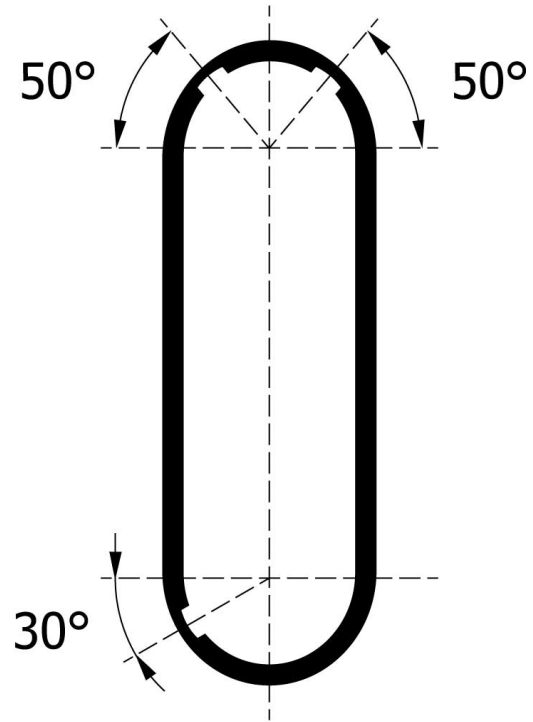
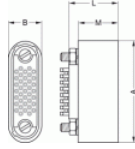
## Cable fixation

|                                    |                |
|------------------------------------|----------------|
| Jacket cable outside diameter [mm] | 1.00 - 4.00 mm |
|------------------------------------|----------------|

# Drawings

[https://www.lemo.com/int\\_en/egg-rr-313-alm.html](https://www.lemo.com/int_en/egg-rr-313-alm.html)

LEMO products and services are provided "as is". LEMO makes no warranties or representations with regard to LEMO product & services or use of them, express, implied or statutory, including for accuracy, completeness, or security. The user is fully responsible for his products and applications using LEMO components.



## Dimensions

|     | <b>A</b> | <b>B</b> | <b>L</b> | <b>M</b> |
|-----|----------|----------|----------|----------|
| mm. | 18       | 6        | 12       | 7        |
| in. | 0.71     | 0.24     | 0.47     | 0.28     |

## Recommended By Lemo

### Contacts

Replacement contact [EGG.00.654.ZZM](#)

### Tools

Positionner [DCE.91.050.0VM](#)

Extraction tool [DCC.05.02B.LAG](#)

Crimp tool [DPC.91.701.V](#)

[https://www.lemo.com/int\\_en/egg-rr-313-alm.html](https://www.lemo.com/int_en/egg-rr-313-alm.html)

LEMO products and services are provided "as is". LEMO makes no warranties or representations with regard to LEMO product & services or use of them, express, implied or statutory, including for accuracy, completeness, or security. The user is fully responsible for his products and applications using LEMO components.