



Image for illustrative purpose only

Summary

[Request a quote](#)

r series

Number of contacts Low Voltage	3
Nb of contacts Coax	8
Socket / Receptacle	Socket / Receptacle - Fixed Panel Front Mounted
Locking system	Push-pull
Jacket cable outside diameter [mm]	2.00 - 9.20 mm
Size	1R
Suggested matching part	FGG.1R.803.GLC8192

https://www.lemo.com/int_en/egg-1r-803-glm81.html

LEMO products and services are provided "as is". LEMO makes no warranties or representations with regard to LEMO product & services or use of them, express, implied or statutory, including for accuracy, completeness, or security. The user is fully responsible for his products and applications using LEMO components.

Technical details

Electrical Configuration

Number of contacts Low Voltage	3
Contact Termination Low voltage	Crimp
Nb of contacts Coax	8
Insert configuration value	1R.803 - 8 Coax (50 Ohm), 3 Low V.
Insulator	L: PEEK (UL 94 / V-0/1.5)
Rated current	3 A
Impedance	50 Ohms
Test voltage (kV rms)	1.5

Form & Material

Shell style / Model id	EGG - Fixed receptacle, key (G) or key (A)
Socket / Receptacle	Fixed Panel Front Mounted
Housing material	Crastin® PBT (Polybutylene terephthalate), grey
Locking system	Push-pull
Keying	3 keys (alpha=50,beta=30, plug: male contacts, receptacle: female contacts)
Weight	24.8 g

Environment

Environmental sealing (IP rating)	IP50
Temperature range	-30°C / +150° C

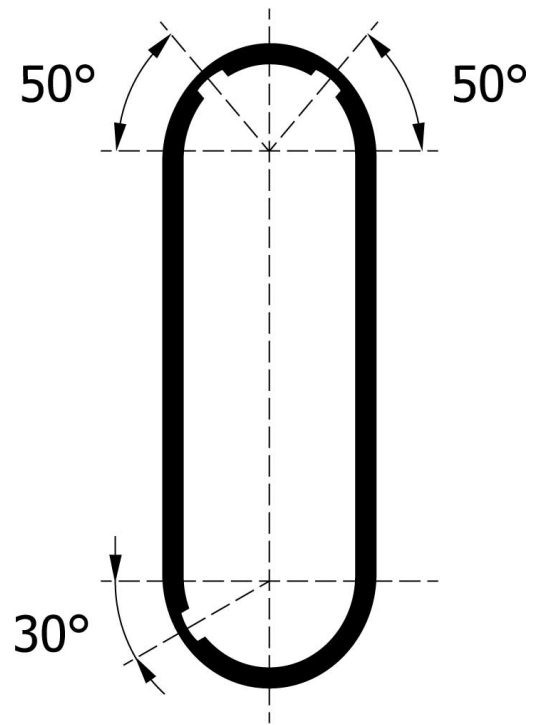
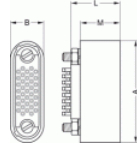
Cable fixation

Jacket cable outside diameter [mm]	2.00 - 9.20 mm
------------------------------------	----------------

Drawings

https://www.lemo.com/int_en/egg-1r-803-glm81.html

LEMO products and services are provided "as is". LEMO makes no warranties or representations with regard to LEMO product & services or use of them, express, implied or statutory, including for accuracy, completeness, or security. The user is fully responsible for his products and applications using LEMO components.



Dimensions

	A	B	L	M
mm.	37	12.5	18	14.5
in.	1.46	0.49	0.71	0.57

Recommended By Lemo

Contacts

Replacement contact [EGG.0B.660.ZZM](#)

Tools

Positionner [DCE.91.090.BVM](#)

Extraction tool [DCC.09.05B.LAG](#)

Extraction tool 2 [DCC.91.C0R.LAG](#)

Crimp tool [DPC.91.701.V](#)

Crimp Tool 2 [DPE.99.003.1K](#)

https://www.lemo.com/int_en/egg-1r-803-glm81.html

LEMO products and services are provided "as is". LEMO makes no warranties or representations with regard to LEMO product & services or use of them, express, implied or statutory, including for accuracy, completeness, or security. The user is fully responsible for his products and applications using LEMO components.