



Image for illustrative purpose only

Summary

[Request a quote](#)

r series

Number of contacts Low Voltage	65
Socket / Receptacle	Socket / Receptacle - Fixed Panel Front Mounted
Locking system	Push-pull
Size	1R

https://www.lemo.com/int_en/egg-1r-365-gln.html

LEMO products and services are provided "as is". LEMO makes no warranties or representations with regard to LEMO product & services or use of them, express, implied or statutory, including for accuracy, completeness, or security. The user is fully responsible for his products and applications using LEMO components.

Technical details

Electrical Configuration

Number of contacts Low Voltage	65
Contact Termination Low voltage	PCB - Straight
Insert configuration value	1R.365 - 65 low voltage
Footprint IPC Class3 compatibility	Yes
Class3 Productibility Level Compatibility	B (Moderate Design Producibility - Standard)
Insulator	L: PEEK (UL 94 / V-0/1.5)
Rated current	0.5 A
Contact Dia.	0.5

Form & Material

Shell style / Model id	EGG - Fixed receptacle, key (G) or key (A)
Socket / Receptacle	Fixed Panel Front Mounted
Housing material	Crastin® PBT (Polybutylene terephthalate), grey
Locking system	Push-pull
Keying	3 keys (alpha=50,beta=30, plug: male contacts, receptacle: female contacts)
Weight	14.88 g

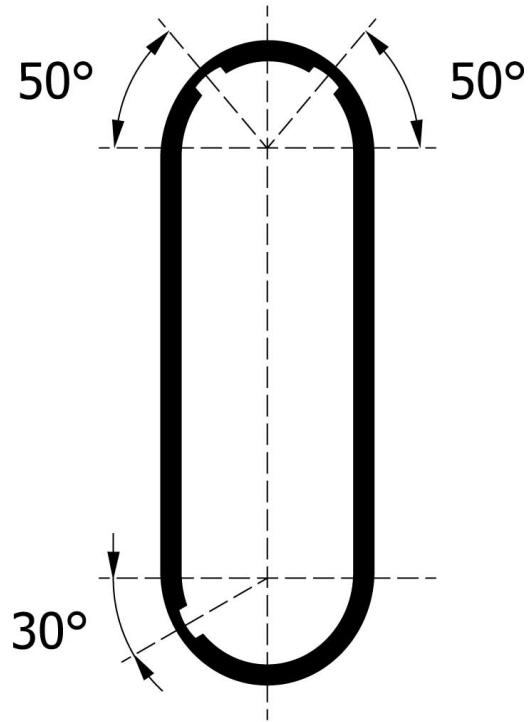
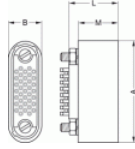
Environment

Environmental sealing (IP rating)	IP50
Temperature range	-30°C / +150° C

Drawings

https://www.lemo.com/int_en/egg-1r-365-gln.html

LEMO products and services are provided "as is". LEMO makes no warranties or representations with regard to LEMO product & services or use of them, express, implied or statutory, including for accuracy, completeness, or security. The user is fully responsible for his products and applications using LEMO components.



Dimensions

	A	B	L	M
mm.	37	12.5	18	14.5
in.	1.46	0.49	0.71	0.57

CAD

Documents

PCB Eagle

[Download](#)

https://www.lemo.com/int_en/egg-1r-365-gln.html

LEMO products and services are provided "as is". LEMO makes no warranties or representations with regard to LEMO product & services or use of them, express, implied or statutory, including for accuracy, completeness, or security. The user is fully responsible for his products and applications using LEMO components.