



Image for illustrative purpose only

## Summary

[Request a quote](#)

r series

Number of contacts Low Voltage	65
Wire Size/AWG	32 - 28
Socket / Receptacle	Socket / Receptacle - Fixed Panel Front Mounted
Locking system	Push-pull
Jacket cable outside diameter [mm]	2.00 - 9.20 mm
Size	1R
Suggested matching part	<a href="#">FGG.1R.365.GLC92</a>

[https://www.lemo.com/int\\_en/egg-1r-365-glm.html](https://www.lemo.com/int_en/egg-1r-365-glm.html)

LEMO products and services are provided "as is". LEMO makes no warranties or representations with regard to LEMO product & services or use of them, express, implied or statutory, including for accuracy, completeness, or security. The user is fully responsible for his products and applications using LEMO components.

# Technical details

## Electrical Configuration

Number of contacts Low Voltage	65
Contact Termination Low voltage	Crimp
Insert configuration value	1R.365 - 65 low voltage
Insulator	L: PEEK (UL 94 / V-0/1.5)
Rated current	0.5 A
Test voltage (kV rms) Contact-contact	0.6
Contact Dia.	0.5
Wire Size/AWG	32 - 28

## Form & Material

Shell style / Model id	EGG - Fixed receptacle, key (G) or key (A)
Socket / Receptacle	Fixed Panel Front Mounted
Housing material	Crastin® PBT (Polybutylene terephthalate), grey
Locking system	Push-pull
Keying	3 keys (alpha=50,beta=30, plug: male contacts, receptacle: female contacts)
Weight	15.02 g

## Environment

Environmental sealing (IP rating)	IP50
Temperature range	-30°C / +150° C

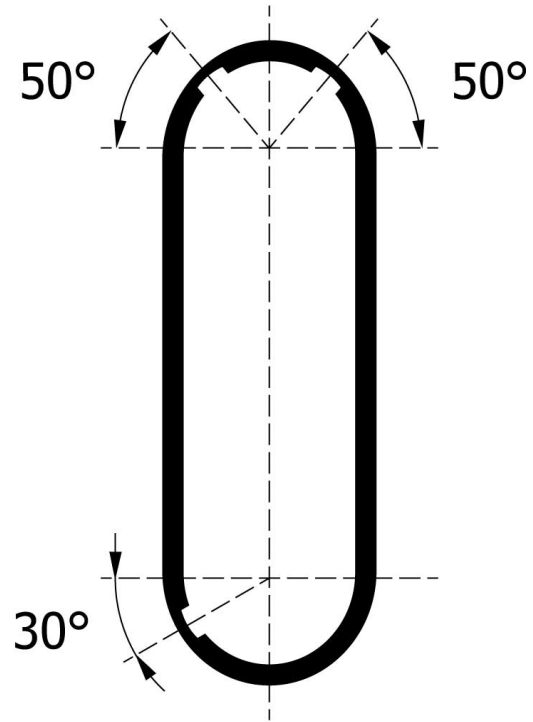
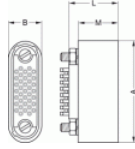
## Cable fixation

Jacket cable outside diameter [mm]	2.00 - 9.20 mm
------------------------------------	----------------

# Drawings

[https://www.lemo.com/int\\_en/egg-1r-365-glm.html](https://www.lemo.com/int_en/egg-1r-365-glm.html)

LEMO products and services are provided "as is". LEMO makes no warranties or representations with regard to LEMO product & services or use of them, express, implied or statutory, including for accuracy, completeness, or security. The user is fully responsible for his products and applications using LEMO components.



## Dimensions

	<b>A</b>	<b>B</b>	<b>L</b>	<b>M</b>
mm.	37	12.5	18	14.5
in.	1.46	0.49	0.71	0.57

## Recommended By Lemo

### Contacts

Replacement contact [EGG.00.654.ZZM](#)

### Tools

Positionner [DCE.91.051.BVM](#)

Extraction tool [DCC.05.02B.LAG](#)

Crimp tool [DPC.91.701.V](#)

[https://www.lemo.com/int\\_en/egg-1r-365-glm.html](https://www.lemo.com/int_en/egg-1r-365-glm.html)

LEMO products and services are provided "as is". LEMO makes no warranties or representations with regard to LEMO product & services or use of them, express, implied or statutory, including for accuracy, completeness, or security. The user is fully responsible for his products and applications using LEMO components.