



Image for illustrative purpose only

Summary

[Request a quote](#)

r series

Number of contacts Low Voltage	10
Wire Size/AWG	24 - 20
Socket / Receptacle	Socket / Receptacle - Fixed Panel Front Mounted
Locking system	Push-pull
Jacket cable outside diameter [mm]	1.60 - 6.20 mm
Size	0R
Suggested matching part	FGG.0R.310.GLC62

https://www.lemo.com/int_en/egg-0r-310-glm.html

LEMO products and services are provided "as is". LEMO makes no warranties or representations with regard to LEMO product & services or use of them, express, implied or statutory, including for accuracy, completeness, or security. The user is fully responsible for his products and applications using LEMO components.

Technical details

Electrical Configuration

Number of contacts Low Voltage	10
Contact Termination Low voltage	Crimp
Insert configuration value	0R.310 - 10 low voltage
Insulator	L: PEEK (UL 94 / V-0/1.5)
Rated current	3.5 A
Test voltage (kV rms) Contact-contact	1.5
Contact Dia.	0.9
Wire Size/AWG	24 - 20

Form & Material

Shell style / Model id	EGG - Fixed receptacle, key (G) or key (A)
Socket / Receptacle	Fixed Panel Front Mounted
Housing material	Crastin® PBT (Polybutylene terephthalate), grey
Locking system	Push-pull
Keying	3 keys (alpha=50,beta=30, plug: male contacts, receptacle: female contacts)
Weight	6.52 g

Environment

Environmental sealing (IP rating)	IP50
Temperature range	-30°C / +150° C

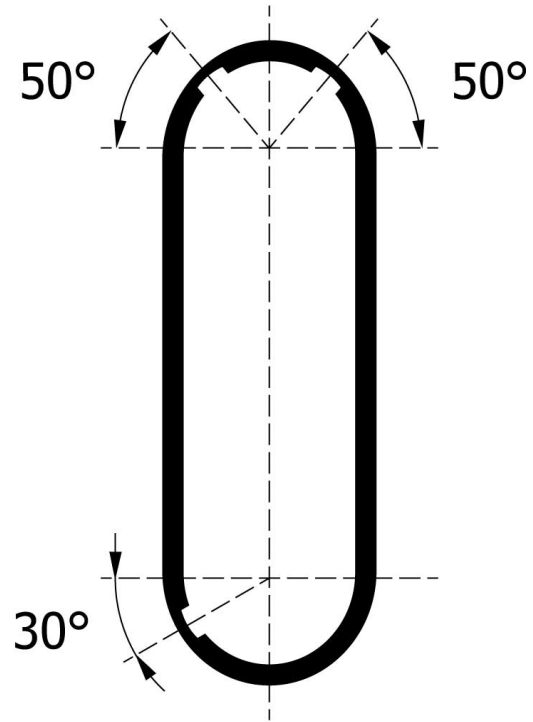
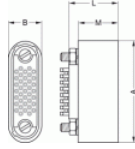
Cable fixation

Jacket cable outside diameter [mm]	1.60 - 6.20 mm
------------------------------------	----------------

Drawings

https://www.lemo.com/int_en/egg-0r-310-glm.html

LEMO products and services are provided "as is". LEMO makes no warranties or representations with regard to LEMO product & services or use of them, express, implied or statutory, including for accuracy, completeness, or security. The user is fully responsible for his products and applications using LEMO components.



Dimensions

	A	B	L	M
mm.	24.5	9	14	12
in.	0.96	0.35	0.55	0.47

Recommended By Lemo

Tools

Positionner	DCE.91.090.BVM
Crimp tool	DPC.91.701.V

https://www.lemo.com/int_en/egg-0r-310-glm.html

LEMO products and services are provided "as is". LEMO makes no warranties or representations with regard to LEMO product & services or use of them, express, implied or statutory, including for accuracy, completeness, or security. The user is fully responsible for his products and applications using LEMO components.