

Special



*Image for illustrative purpose only*

## Summary

[Request a quote](#)

[M series](#)

[Application leaflet Security Defence](#)

Number of contacts Low Voltage	8
Protocol	USB 2.0 (480Mb/s)
Wire Size/AWG	26 - 22
Gender	Standard
Socket / Receptacle	Socket / Receptacle - Fixed Panel Front Mounted
Locking system	Ratchet
Jacket cable outside diameter [mm]	4.85 - 9.70 mm
Size	1M
Suggested matching part	<a href="#">FMN.1M.308.XLC</a>
Series	M - Rugged Ratchet coupling

[https://www.lemo.com/int\\_en/solutions/optima/m-ratchet-coupling/edn-1m-308-xlm.html](https://www.lemo.com/int_en/solutions/optima/m-ratchet-coupling/edn-1m-308-xlm.html)

LEMO products and services are provided "as is". LEMO makes no warranties or representations with regard to LEMO product & services or use of them, express, implied or statutory, including for accuracy, completeness, or security. The user is fully responsible for his products and applications using LEMO components.

# Technical details

## Electrical Configuration

Number of contacts Low Voltage	8
Contact Termination Low voltage	Crimp
R (max)	6.1 mOhm
Insert configuration value	1M.308 - 8 Low Voltage
Insulator	L: PEEK
Rated current	5 A
Test voltage (kV rms) Contact-contact	1.3
Test voltage (kV rms) Contact-shell	1.1
Contact retention	22 N
Max. Conductor	0.34 mm <sup>2</sup> (AWG 22)
Min. Conductor	0.14 mm <sup>2</sup> (AWG 26)
Bucket Dia.	0.8 mm (0.031in)
Contact Dia.	0.7 mm (0.028in)
Protocol	USB 2.0 (480Mb/s)
Wire Size/AWG	26 - 22
Gender	Standard

## Form & Material

Shell style / Model id	ED - Fixed receptacle with square flange
Socket / Receptacle	Fixed Panel Front Mounted
Housing material	Aluminium (nickel plated [SAE AMS QQ N 290], anthracite color) shell and nut, other pieces bronze/brass
Locking system	Ratchet
Keying	N: 3 keys (beta=165, gamma=30, plug: male contacts, receptacle: female contacts)
Colour	Grey
Weight	6.3 g

[https://www.lemo.com/int\\_en/solutions/optima/m-ratchet-coupling/edn-1m-308-xlm.html](https://www.lemo.com/int_en/solutions/optima/m-ratchet-coupling/edn-1m-308-xlm.html)

LEMO products and services are provided "as is". LEMO makes no warranties or representations with regard to LEMO product & services or use of them, express, implied or statutory, including for accuracy, completeness, or security. The user is fully responsible for his products and applications using LEMO components.

## Environment

Technical domain	Motorsport, Security and Defence, Transportation, Aerospace and UAV
Environmental sealing (IP rating)	IP68
Endurance	3000 mating cycles
Temperature range	-20°C / +200°C (max. temperature valid for short periods of use.)
EMI Shielding EIA 364-66A	>= 80 dB (1 GHz), >=70 dB (3 GHz), >= 58 dB (6 GHz), >= 40 dB (10 GHz)
Gunfire vibration	25 Hz - 2000 Hz, 3 axis (Apache helicopter)
Humidity (max)	21 days at 95%
Lighting strike EIA 364-76	10K amps - 6 times
Shock Resistance	300 g [ 3 ms]
Thermal shock	5 cycles: -65°C to +150°C
Vibration-Random	37.8 g rms - 3 axes, 4 hr amb [50 Hz - 2000 Hz]
Vibration-Sine	30 g, 3 axes, 12 hr [10 Hz - 2000 Hz]
Salt Spray Corrosion	max. 48 hr

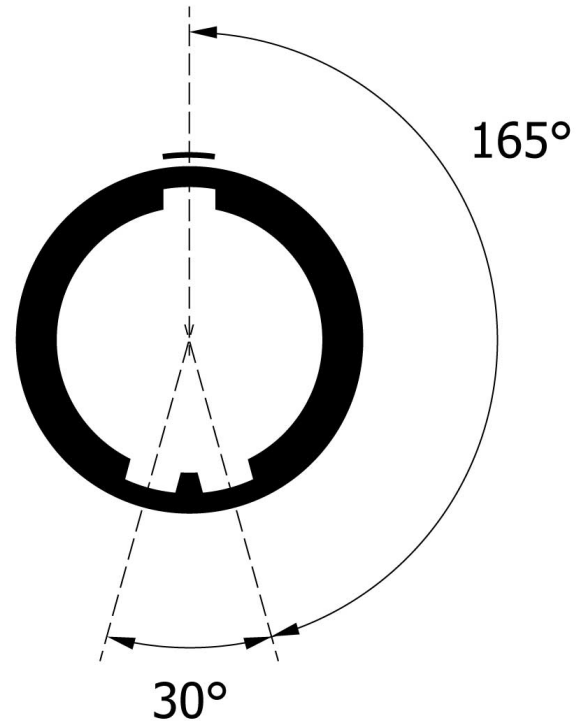
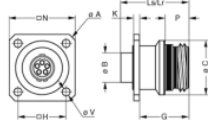
## Cable fixation

Jacket cable outside diameter [mm]	4.85 - 9.70 mm
------------------------------------	----------------

## Drawings

[https://www.lemo.com/int\\_en/solutions/optima/m-ratchet-coupling/edn-1m-308-xlm.html](https://www.lemo.com/int_en/solutions/optima/m-ratchet-coupling/edn-1m-308-xlm.html)

LEMO products and services are provided "as is". LEMO makes no warranties or representations with regard to LEMO product & services or use of them, express, implied or statutory, including for accuracy, completeness, or security. The user is fully responsible for his products and applications using LEMO components.



## Dimensions

	<b>A</b>	<b>B</b>	<b>C</b>	<b>G</b>	<b>H</b>	<b>K</b>	<b>Ls</b>	<b>Lr</b>	<b>N</b>	<b>P</b>	<b>SV</b>
mm.	23.8	5.95	14.2	12.8	12.9	1.5	18.3	18.3	18.4	5.3	3.3
in.	0.94	0.23	0.56	0.5	0.51	0.06	0.72	0.72	0.72	0.21	0.13

## Recommended By Lemo

### Contacts

Replacement contact [EGN.0M.655.ZZM](#)

### Caps

Compatible cap [BGE.1M.200.XAZ](#)

Cap 2 [BME.1M.200.XAZ](#)

### Tools

Positionner [DCE.91.070.3MVM](#)

Extraction tool [DCC.07.04B.LAG](#)

Crimp tool [DPC.91.701.V](#)

[https://www.lemo.com/int\\_en/solutions/optima/m-ratchet-coupling/edn-1m-308-xlm.html](https://www.lemo.com/int_en/solutions/optima/m-ratchet-coupling/edn-1m-308-xlm.html)

LEMO products and services are provided "as is". LEMO makes no warranties or representations with regard to LEMO product & services or use of them, express, implied or statutory, including for accuracy, completeness, or security. The user is fully responsible for his products and applications using LEMO components.