



*Image for illustrative purpose only*

## Summary

[Request a quote](#)

[r series](#)

Number of contacts Low Voltage	36
Socket / Receptacle	Socket / Receptacle - Fixed Panel Front Mounted
Locking system	Push-pull
Size	1R

[https://www.lemo.com/int\\_en/ebg-1r-336-gln.html](https://www.lemo.com/int_en/ebg-1r-336-gln.html)

LEMO products and services are provided "as is". LEMO makes no warranties or representations with regard to LEMO product & services or use of them, express, implied or statutory, including for accuracy, completeness, or security. The user is fully responsible for his products and applications using LEMO components.

# Technical details

## Electrical Configuration

Number of contacts Low Voltage	36
Contact Termination Low voltage	PCB - Straight
Insert configuration value	1R.336 - 36 low voltage
Footprint IPC Class3 compatibility	Yes
Class3 Productibility Level Compatibility	A (General Design Producibility - Preferred)
Insulator	L: PEEK (UL 94 / V-0/1.5)
Rated current	2.5 A
Contact Dia.	0.7

## Form & Material

Shell style / Model id	EBG - Fixed receptacle, key (G) or key (A) with visible shell
Socket / Receptacle	Fixed Panel Front Mounted
Housing material	Crastin® PBT (Polybutylene terephthalate), grey
Locking system	Push-pull
Keying	3 keys (alpha=50,beta=30, plug: male contacts, receptacle: female contacts)
Weight	14.05 g

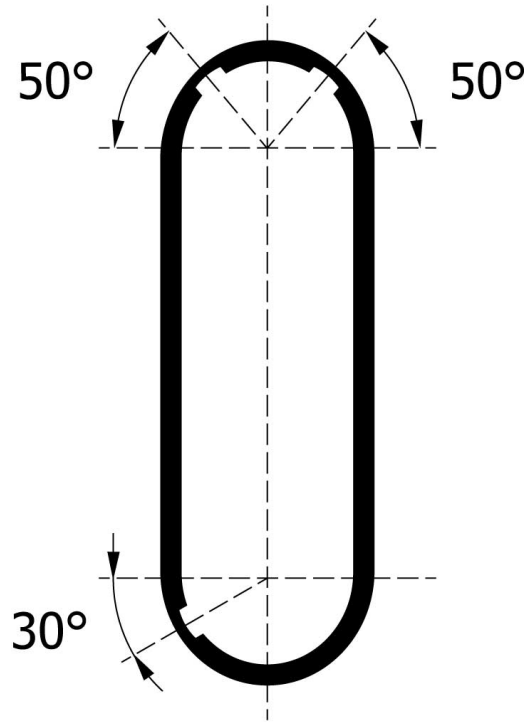
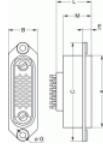
## Environment

Environmental sealing (IP rating)	IP50
Temperature range	-30°C / +150° C

# Drawings

[https://www.lemo.com/int\\_en/ebg-1r-336-gln.html](https://www.lemo.com/int_en/ebg-1r-336-gln.html)

LEMO products and services are provided "as is". LEMO makes no warranties or representations with regard to LEMO product & services or use of them, express, implied or statutory, including for accuracy, completeness, or security. The user is fully responsible for his products and applications using LEMO components.



## Dimensions

	<b>A</b>	<b>B</b>	<b>C</b>	<b>E</b>	<b>G</b>	<b>L</b>	<b>M</b>
mm.	37	15	51	4.5	3.2	19.5	14.5
in.	1.46	0.59	2.01	0.18	0.13	0.77	0.57

## CAD

### Documents

PCB Eagle

[Download](#)

[https://www.lemo.com/int\\_en/ebg-1r-336-gln.html](https://www.lemo.com/int_en/ebg-1r-336-gln.html)

LEMO products and services are provided "as is". LEMO makes no warranties or representations with regard to LEMO product & services or use of them, express, implied or statutory, including for accuracy, completeness, or security. The user is fully responsible for his products and applications using LEMO components.