

**RF Load 0.25 Watts To 6 GHz N Male**

**Electrical Specifications\***

Description	Min	Typ	Max	Units
Frequency Range	0.01		6	GHz
Impedance			50	Ohms
VSWR			1.35:1	
Input Power			0.25	Watts
Operating Voltage			50	Volts

\* Values at 25°C, sea level

**Mechanical Specifications**

**Temperature**

Operating Range -10 to +65 deg C

**Size**

Length 1.16 in [29.46 mm]  
 Width/Dia. 0.787 in [19.99 mm]  
 Weight 0.0873 lbs [39.6 g]  
 Color Silver

**Connector**

Type N Male  
 Inner Conductor Material and Plating Brass, Gold  
 Coupling Nut Material and Plating Brass, Tri-Metal  
 Hex Size 20 mm  
 Body Material and Plating Brass, Tri-Metal  
 Dielectric Type PTFE

**Compliance Certifications** (visit [www.FairviewMicrowave.com](http://www.FairviewMicrowave.com) for current document)

RoHS Compliant Yes  
 REACH Compliant 12/17/2014

**Plotted and Other Data**

Notes:

- Values at 25 °C, sea level
- This part is an "N" Male termination with built in DC block.

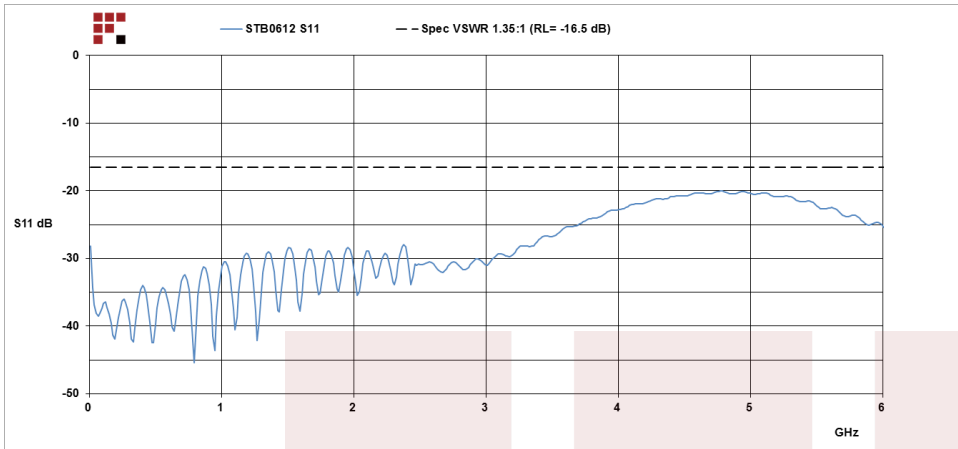


**Features:**

- Connector: N Male
- Connection Method: Standard
- Body Style: Straight

Fairview Microwave  
 1130 Junction Dr. #100  
 Allen, TX 75013  
 Tel: 1-800-715-4396 / (972) 649-6678  
 Fax: (972) 649-6689  
[www.fairviewmicrowave.com](http://www.fairviewmicrowave.com)  
[sales@fairviewmicrowave.com](mailto:sales@fairviewmicrowave.com)

**Typical Performance Data**

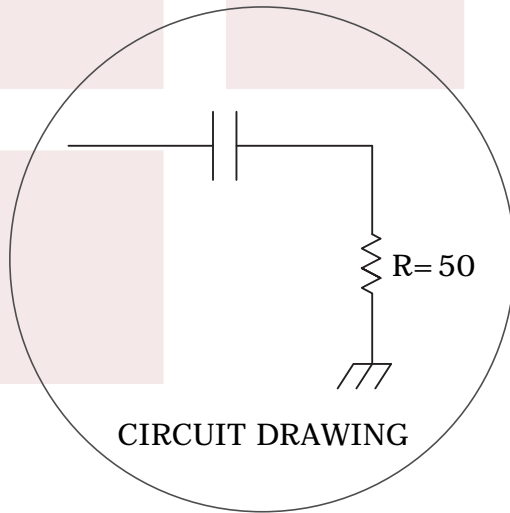
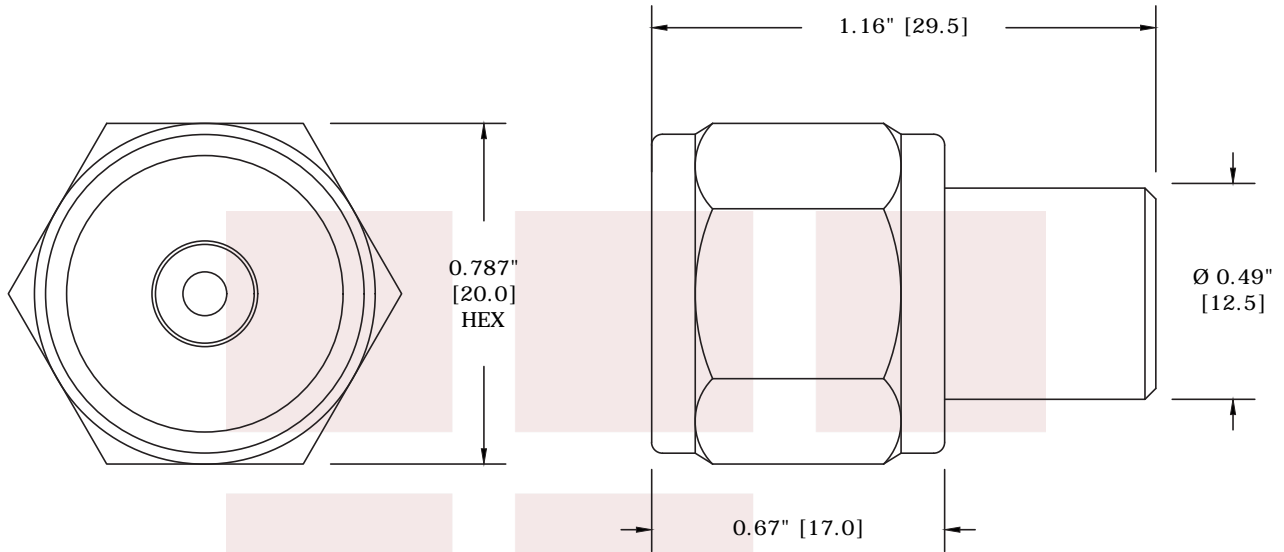


RF Load 0.25 Watts To 6 GHz N Male from Fairview Microwave is in-stock and available to ship same-day. All of our RF/microwave products are available off-the-shelf from our ISO 9001:2008 certified facilities in Allen, Texas. Fairview Microwave is RF on-demand.

For additional information on this product, please click the following link: [RF Load 0.25 Watts To 6 GHz N Male STB0612](#)

URL: <http://www.fairviewmicrowave.com/inner-dc-block-10-mhz-6-ghz-n-connectors-stb0612-p.aspx>

The information contained in this document is accurate to the best of our knowledge and representative of the part described herein. It may be necessary to make modifications to the part and/or the documentation of the part, in order to implement improvements. Fairview Microwave reserves the right to make such changes as required. Unless otherwise stated, all specifications are nominal. Fairview Microwave does not make any representation or warranty regarding the suitability of the part described herein for any particular purpose, and Fairview Microwave does not assume any liability arising out of the use of any part or documentation.



<b>FAIRVIEW MICROWAVE INC.</b> ALLEN, TX 75013 WWW.FAIRVIEWMICROWAVE.COM		NOTES: 1. UNLESS OTHERWISE SPECIFIED ALL DIMENSIONS ARE NOMINAL. 2. ALL SPECIFICATIONS ARE SUBJECT TO CHANGE WITHOUT NOTICE AT ANY TIME. 3. DIMENSIONS ARE IN INCHES [mm].			
TITLE RF Load 0.25 Watts To 6 GHz N Male		DWG NO <b>STB0612</b>		CAGE CODE <b>3FKR5</b>	
CAD FILE	061815	SHEET	SCALE	N/A	SIZE A 5568