

RA SMA Male to SMA Female Cable
FM-F086 Coax in 60 Inch



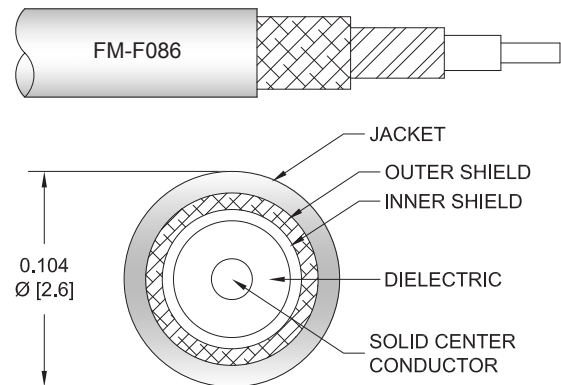
FMC0413085-60

Configuration

- Connector 1: SMA Male Right Angle
- Connector 2: SMA Female
- Cable Type: FM-F086
- Coax Flex Type: Flexible

Features

- Max Frequency 12.4 GHz
- 70.6% Phase Velocity
- Double Shielded
- FEP Jacket



Applications

- General Purpose
- Laboratory Use

Description

The RA SMA male to SMA female 60 inch cable using FM-F086 coax, part number FMC0413085-60, from Fairview Microwave is in-stock and ships same day. This Fairview SMA to SMA cable assembly has a male to female gender configuration with 50 ohm flexible FM-F086 coax. Fairview Microwave's flexible RF cable assemblies are ideal for applications where tight bends and continual flexure are required. The FMC0413085-60 SMA male to SMA female cable assembly operates to 12.4 GHz. The right angle SMA interface on the FM-F086 cable allows for easier connections in tight spaces. The double shielding of this Fairview cable assembly provides excellent shielding effectiveness.

Custom versions of most RF cable assemblies can be built and shipped same day. Custom cable assembly lengths can be obtained by specifying the desired length on the web site at time of order or by contacting a sales representative. Other RF cable assembly value added services including connector orientation or clocking, heat shrink booting and labeling are also available. RF testing can also be performed to document the electrical performance of your cable assembly.

Electrical Specifications

Description	Minimum	Typical	Maximum	Units
Frequency Range	DC		12.4	GHz
Velocity of Propagation		70.6		%
Capacitance		28.95 [94.98]		pF/ft [pF/m]

Mechanical Specifications

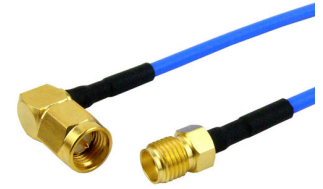
Cable Assembly

Length 60 in [152.4 cm]
Weight 0.17 lbs [77.11 g]

Cable

Cable Type FM-F086
Impedance 50 Ohms

RA SMA Male to SMA Female Cable
FM-F086 Coax in 60 Inch



FMC0413085-60

Inner Conductor Type	Solid
Inner Conductor Material and Plating	Copper, Silver
Dielectric Type	PTFE
Number of Shields	2
Shield Layer 1	Silver Plated Copper Tape
Shield Layer 2	Silver Plated Copper Braid
Jacket Material	FEP, Blue
Jacket Diameter	0.104 in [2.64 mm]

Connectors

Description	Connector 1	Connector 2
Type	SMA Male Right Angle	SMA Female
Impedance	50 Ohms	50 Ohms
Configuration	Right Angle	Straight
Contact Material and Plating	Brass, Gold	Beryllium Copper, Gold
Contact Plating Specification	50µ in. minimum	30µ" Minimum
Dielectric Type	Teflon	Teflon
Body Material and Plating	Stainless Steel, Gold	Gold
Body Plating Specification	3µ in. minimum	
Hex Size	5/16 inch	
Torque	8.5 in-lbs 0.96 Nm	

Environmental Specifications

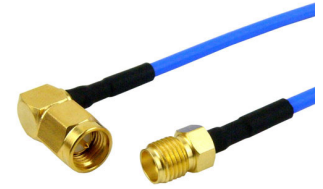
Operating Range Temperature	-65 to +165 deg C
-----------------------------	-------------------

Compliance Certifications (see [product page](#) for current document)

Plotted and Other Data

Notes:

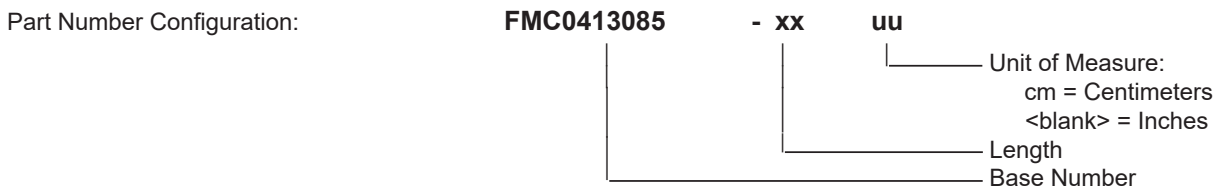
RA SMA Male to SMA Female Cable
FM-F086 Coax in 60 Inch



FMC0413085-60

Typical Performance Data

How to Order



Example: FMC0413085-12 = 12 inches long cable
FMC0413085-100cm = 100 cm long cable

RA SMA Male to SMA Female Cable FM-F086 Coax in 60 Inch from Fairview Microwave is in-stock and available to ship same-day. All of our RF/microwave products are available off-the-shelf from our ISO 9001:2008 certified facilities in Lewisville, Texas. Fairview Microwave is RF on-demand.

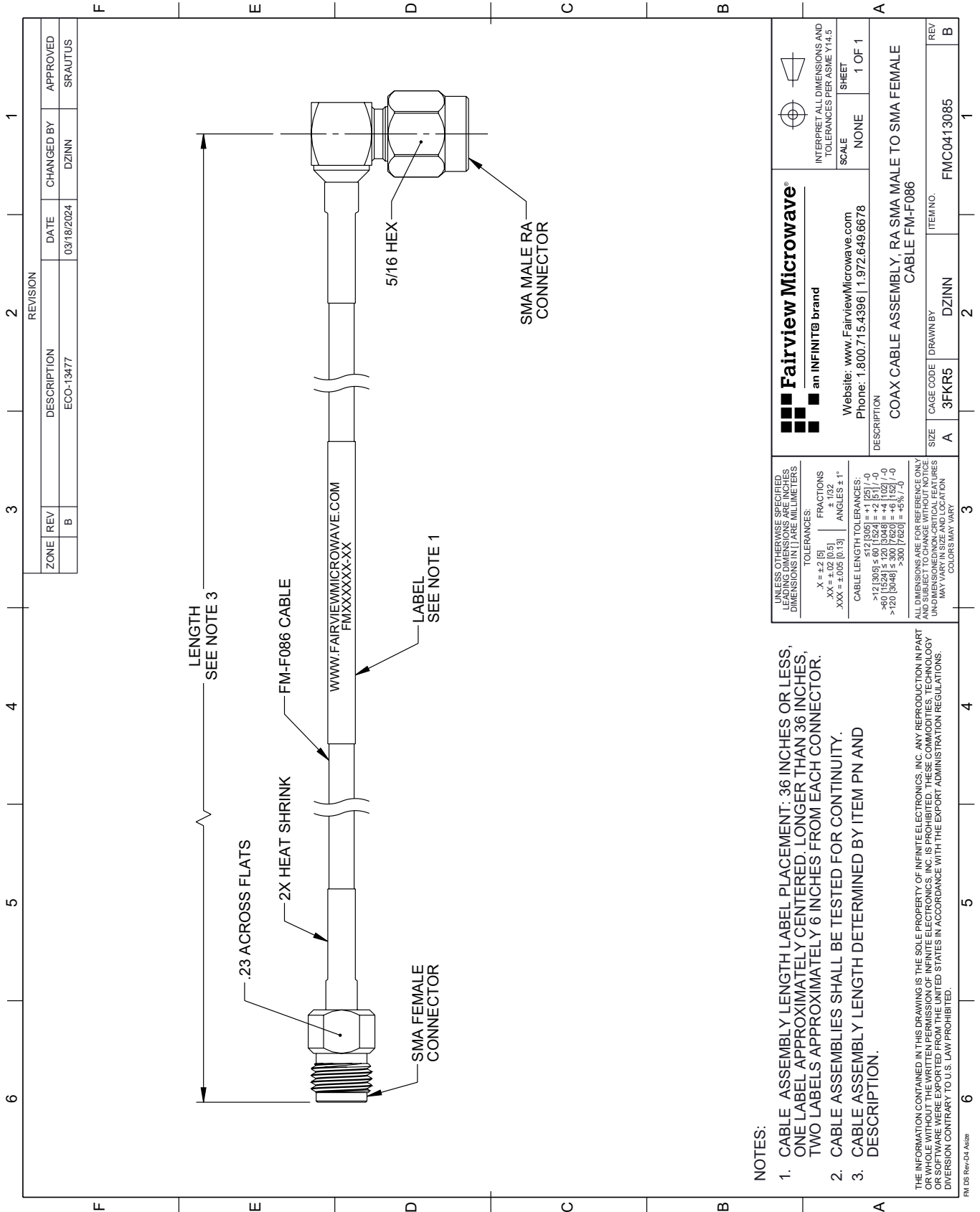
For additional information on this product, please click the following link: [RA SMA Male to SMA Female Cable FM-F086 Coax in 60 Inch FMC0413085-60](https://www.fairviewmicrowave.com/ra-sma-male-sma-female-cable-hs086-coax-fmc0413085-60-p.aspx)

URL: <https://www.fairviewmicrowave.com/ra-sma-male-sma-female-cable-hs086-coax-fmc0413085-60-p.aspx>

The information contained within this document is accurate to the best of our knowledge and representative of the part described herein. It may be necessary to make modifications to the part and/or the documentation of the part in order to implement improvements. Fairview Microwave reserves the right to make such changes as required. Unless otherwise stated, all specifications are nominal. Fairview Microwave does not make any representation or warranty regarding the suitability of the part described herein for any particular purpose, and Fairview Microwave does not assume liability arising out of the use of any part or document.

FMC0413085-60 CAD Drawing


RA SMA Male to SMA Female Cable FM-F086 Coax in 60 Inch



NOTES:

1. CABLE ASSEMBLY LENGTH LABEL PLACEMENT: 36 INCHES OR LESS, ONE LABEL APPROXIMATELY CENTERED. LONGER THAN 36 INCHES, TWO LABELS APPROXIMATELY 6 INCHES FROM EACH CONNECTOR.
2. CABLE ASSEMBLIES SHALL BE TESTED FOR CONTINUITY.
3. CABLE ASSEMBLY LENGTH DETERMINED BY ITEM PN AND DESCRIPTION.

THE INFORMATION CONTAINED IN THIS DRAWING IS THE SOLE PROPERTY OF INFINITE ELECTRONICS, INC. ANY REPRODUCTION IN PART OR WHOLE WITHOUT THE WRITTEN PERMISSION OF INFINITE ELECTRONICS, INC. IS PROHIBITED. THESE COMMODITIES, TECHNOLOGY OR SOFTWARE WERE EXPORTED FROM THE UNITED STATES IN ACCORDANCE WITH THE EXPORT ADMINISTRATION REGULATIONS. DIVERSION CONTRARY TO U.S. LAW PROHIBITED.

 Fairview Microwave® an INFINIT® brand		Website: www.FairviewMicrowave.com Phone: 1.800.715.4396 1.972.649.6678	INTERPRET ALL DIMENSIONS AND TOLERANCES PER ASME Y14.5 SCALE: NONE SHEET: 1 OF 1
DESCRIPTION: COAX CABLE ASSEMBLY, RA SMA MALE TO SMA FEMALE CABLE FM-F086			
SIZE	CAGE CODE	DRAWN BY	ITEM NO.
A	3FKR5	DZINN	FMC0413085

UNLESS OTHERWISE SPECIFIED, LEADING DIMENSIONS ARE IN INCHES, DIMENSIONS IN [] ARE MILLIMETERS.

TOLERANCES:
 .X = ±.2 [5] FRACTIONS ± 1/32
 .XX = ±.02 [0.5] ANGLES ± 1°
 .XXX = ±.005 [0.13]

CABLE LENGTH TOLERANCES:
 >12 [305] ≤ 60 [1524] = ±.1 [25] / -0
 >60 [1524] ≤ 120 [3048] = ±.4 [102] / -0
 >120 [3048] ≤ 300 [7620] = ±.6 [152] / -0

ALL DIMENSIONS ARE FOR REFERENCE ONLY. UNDIMENSIONED NON-CRITICAL FEATURES MAY VARY IN SIZE AND LOCATION. COLORS MAY VARY.