

RA SMA Male to SMA Female Cable
FM-F086 Coax in 48 Inch



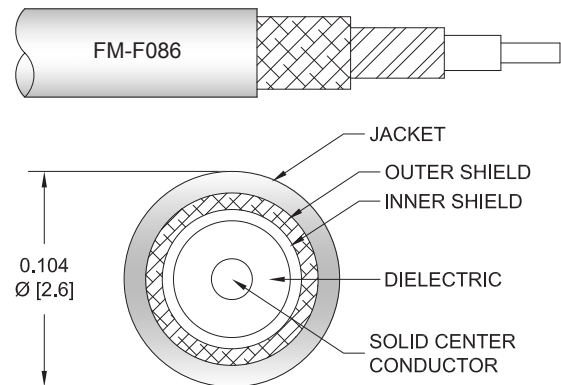
FMC0413085-48

Configuration

- Connector 1: SMA Male Right Angle
- Connector 2: SMA Female
- Cable Type: FM-F086
- Coax Flex Type: Flexible

Features

- Max Frequency 12.4 GHz
- 70.6% Phase Velocity
- Double Shielded
- FEP Jacket



Applications

- General Purpose
- Laboratory Use

Description

The RA SMA male to SMA female 48 inch cable using FM-F086 coax, part number FMC0413085-48, from Fairview Microwave is in-stock and ships same day. This Fairview SMA to SMA cable assembly has a male to female gender configuration with 50 ohm flexible FM-F086 coax. Fairview Microwave's flexible RF cable assemblies are ideal for applications where tight bends and continual flexure are required. The FMC0413085-48 SMA male to SMA female cable assembly operates to 12.4 GHz. The right angle SMA interface on the FM-F086 cable allows for easier connections in tight spaces. The double shielding of this Fairview cable assembly provides excellent shielding effectiveness.

Custom versions of most RF cable assemblies can be built and shipped same day. Custom cable assembly lengths can be obtained by specifying the desired length on the web site at time of order or by contacting a sales representative. Other RF cable assembly value added services including connector orientation or clocking, heat shrink booting and labeling are also available. RF testing can also be performed to document the electrical performance of your cable assembly.

Electrical Specifications

| Description | Minimum | Typical | Maximum | Units |
|-------------------------|---------|---------------|---------|--------------|
| Frequency Range | DC | | 12.4 | GHz |
| Velocity of Propagation | | 70.6 | | % |
| Capacitance | | 28.95 [94.98] | | pF/ft [pF/m] |

Mechanical Specifications

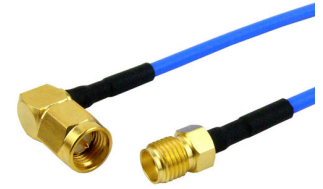
Cable Assembly

| | |
|--------|---------------------|
| Length | 48 in [121.92 cm] |
| Weight | 0.144 lbs [65.32 g] |

Cable

| | |
|------------|---------|
| Cable Type | FM-F086 |
| Impedance | 50 Ohms |

RA SMA Male to SMA Female Cable
FM-F086 Coax in 48 Inch



FMC0413085-48

| | |
|--------------------------------------|----------------------------|
| Inner Conductor Type | Solid |
| Inner Conductor Material and Plating | Copper, Silver |
| Dielectric Type | PTFE |
| Number of Shields | 2 |
| Shield Layer 1 | Silver Plated Copper Tape |
| Shield Layer 2 | Silver Plated Copper Braid |
| Jacket Material | FEP, Blue |
| Jacket Diameter | 0.104 in [2.64 mm] |

Connectors

| Description | Connector 1 | Connector 2 |
|-------------------------------|-----------------------|------------------------|
| Type | SMA Male Right Angle | SMA Female |
| Impedance | 50 Ohms | 50 Ohms |
| Configuration | Right Angle | Straight |
| Contact Material and Plating | Brass, Gold | Beryllium Copper, Gold |
| Contact Plating Specification | 50µ in. minimum | 30µ" Minimum |
| Dielectric Type | Teflon | Teflon |
| Body Material and Plating | Stainless Steel, Gold | Gold |
| Body Plating Specification | 3µ in. minimum | |
| Hex Size | 5/16 inch | |
| Torque | 8.5 in-lbs 0.96 Nm | |

Environmental Specifications

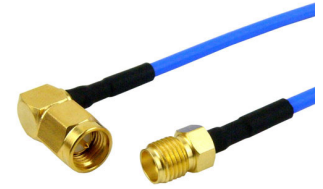
| | |
|-----------------------------|-------------------|
| Operating Range Temperature | -65 to +165 deg C |
|-----------------------------|-------------------|

Compliance Certifications (see [product page](#) for current document)

Plotted and Other Data

Notes:

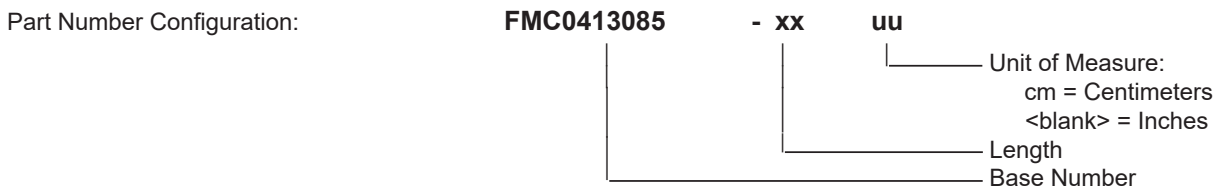
RA SMA Male to SMA Female Cable
FM-F086 Coax in 48 Inch



FMC0413085-48

Typical Performance Data

How to Order



Example: FMC0413085-12 = 12 inches long cable
FMC0413085-100cm = 100 cm long cable

RA SMA Male to SMA Female Cable FM-F086 Coax in 48 Inch from Fairview Microwave is in-stock and available to ship same-day. All of our RF/microwave products are available off-the-shelf from our ISO 9001:2008 certified facilities in Lewisville, Texas. Fairview Microwave is RF on-demand.

For additional information on this product, please click the following link: [RA SMA Male to SMA Female Cable FM-F086 Coax in 48 Inch FMC0413085-48](https://www.fairviewmicrowave.com/ra-sma-male-sma-female-cable-hs086-coax-fmc0413085-48-p.aspx)

URL: <https://www.fairviewmicrowave.com/ra-sma-male-sma-female-cable-hs086-coax-fmc0413085-48-p.aspx>

The information contained within this document is accurate to the best of our knowledge and representative of the part described herein. It may be necessary to make modifications to the part and/or the documentation of the part in order to implement improvements. Fairview Microwave reserves the right to make such changes as required. Unless otherwise stated, all specifications are nominal. Fairview Microwave does not make any representation or warranty regarding the suitability of the part described herein for any particular purpose, and Fairview Microwave does not assume liability arising out of the use of any part or document.

FMC0413085-48 CAD Drawing

RA SMA Male to SMA Female Cable FM-F086 Coax in 48 Inch

