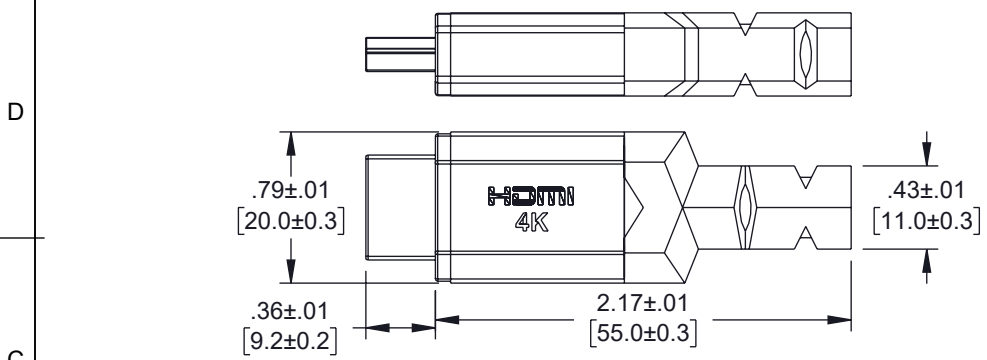
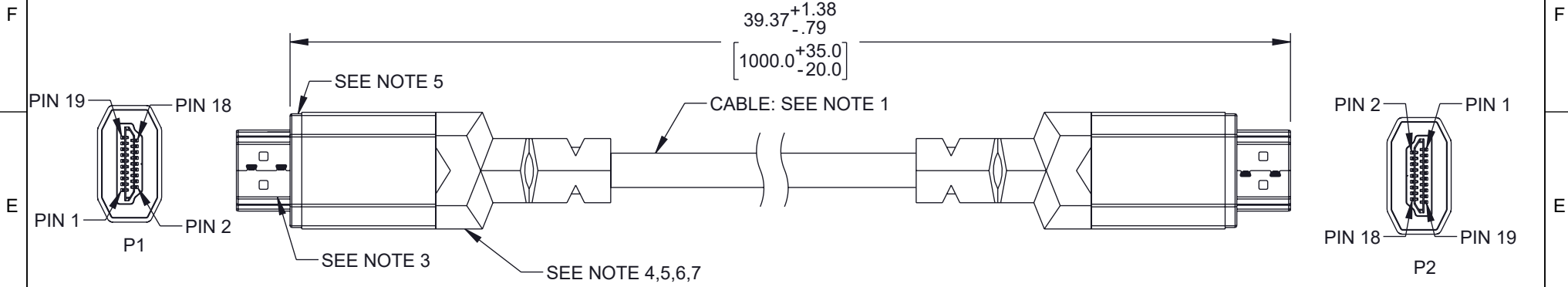


HIGH SPEED HDMI® CABLE WITH ETHERNET E358026 AWM STYLE 20276 80°C 30V VW-1

REVISION					
ZONE	REV	DESCRIPTION	DATE	CHANGED BY	APPROVED
	A	INITIAL RELEASE	01/29/2025	TUFRERE	DGUST

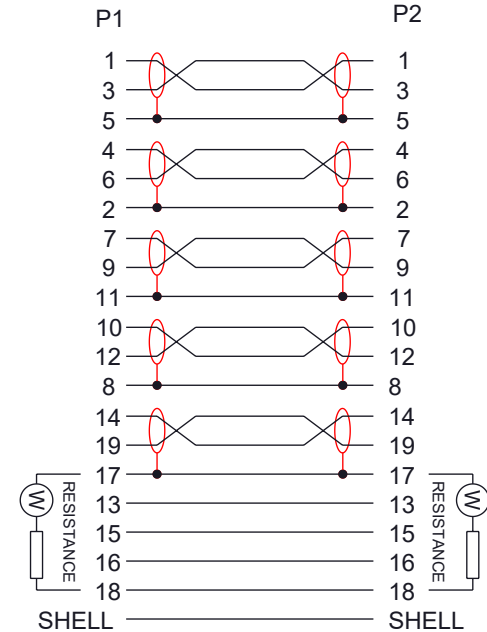


- NOTES:
- CABLE: [(1/0.254BC+FPE0.7)\*1P+1/0.254BC+HDPE0.55+AL-FOIL]\*5P+(1C/0.254BC+HDPE 0.55)\*4C+AL-FOIL+D1C/0.254BC+B128#/0.12AL+BLACK PVC OD:6.0±0.15mm.
  - HDMI CONNECTOR, GOLD PLATED.
  - ALUMINUM SHELL, GRAY.
  - LOW DENSITY PE PLASTIC.
  - 45P BLACK PVC.
  - PCB BOARD WITH RESISTANCE + RED LED LIGHT.
  - 100% OPEN, SHORT & MISWIRE TEST.
  - DC RESISTANCE 5Ω MAX.
  - INSULATION RESISTANCE 5MΩ MIN.
  - HI-POT: DC 300V/0.1S.
  - HDTV&DVD(4K@60HZ):100%. TESTING LINE PROCESS.
  - CABLE ASSEMBLY SHALL BE TESTED FOR CONTINUITY.
  - CABLE ASSEMBLY SHALL BE INDIVIDUALLY PACKAGED.

REGULATORY COMPLIANCE:  
EU RoHS DIRECTIVE (MOST RECENT RELEASED VERSION).

THE INFORMATION CONTAINED IN THIS DRAWING IS THE SOLE PROPERTY OF INFINITE ELECTRONICS, INC. ANY REPRODUCTION IN PART OR WHOLE WITHOUT THE WRITTEN PERMISSION OF INFINITE ELECTRONICS, INC. IS PROHIBITED. THESE COMMODITIES, TECHNOLOGY OR SOFTWARE WERE EXPORTED FROM THE UNITED STATES IN ACCORDANCE WITH THE EXPORT ADMINISTRATION REGULATIONS. DIVERSION CONTRARY TO U.S. LAW PROHIBITED.

PIN ASSIGNMENT



UNLESS OTHERWISE SPECIFIED LEADING DIMENSIONS ARE INCHES DIMENSIONS IN [ ] ARE MILLIMETERS TOLERANCES: .X = ±.2 [5]      FRACTIONS ± 1/32 .XX = ±.02 [0.5]      ANGLES ± 1° .XXX = ±.005 [0.13]	 <b>an INFINIT® brand</b> Website: www.L-com.com Phone: 1.800.341.5266   1.978.682.6936	INTERPRET ALL DIMENSIONS AND TOLERANCES PER ASME Y14.5 SCALE: NONE      SHEET: 1 OF 1	
		DESCRIPTION: HIGH SPEED HDMI W/LED, RED, 1M	
CABLE LENGTH TOLERANCES: ≤12 [305] = +1 [25] / -0 >12 [305] ≤ 60 [1524] = +2 [51] / -0 >60 [1524] ≤ 120 [3048] = +4 [102] / -0 >120 [3048] ≤ 300 [7620] = +6 [152] / -0 >300 [7620] = +5% / -0	ALL DIMENSIONS ARE FOR REFERENCE ONLY AND SUBJECT TO CHANGE WITHOUT NOTICE. UN-DIMENSIONED NON-CRITICAL FEATURES MAY VARY IN SIZE AND LOCATION. COLORS MAY VARY.	SIZE: A CAGE CODE: 43321 DRAWN BY: TUFRERE ITEM NO.: HD4KLED-RD-1M	REV: A