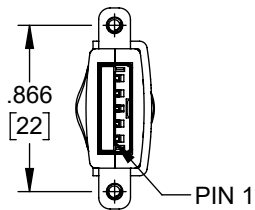
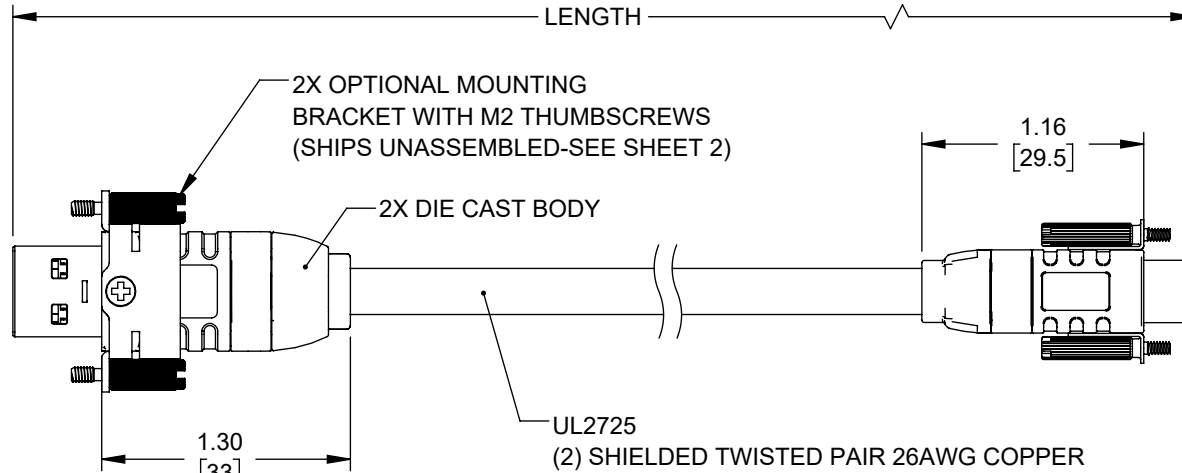


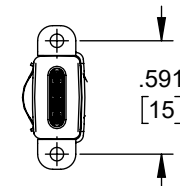
REVISION					
ZONE	REV	DESCRIPTION	DATE	CHANGED BY	APPROVED
	B	ECO-15256	01/14/2026	TUFRERE	DGUST



**P1**  
USB 3.0 SERIES A  
MALE CONNECTOR

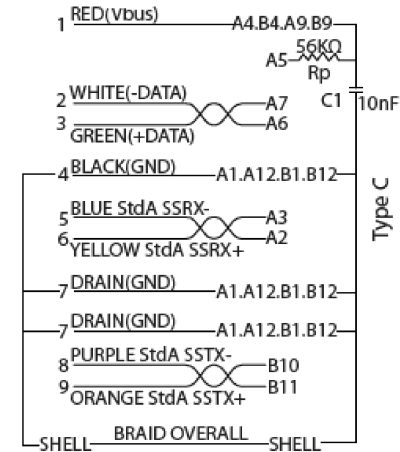


**UL2725**  
(2) SHIELDED TWISTED PAIR 26AWG COPPER  
(1) SHIELDED TWISTED PAIR 28AWG COPPER  
(2) CONDUCTORS 22AWG COPPER WITH OVERALL COPPER BRAID SHIELD AND COPPER DRAIN WIRE  
JACKET: PVC, BLACK [O.D. 6.2mm NOM.]



**P2**  
USB 3.0 SERIES C  
MALE CONNECTOR

**P1 WIRING MAP P2**



MODEL NUMBER	LENGTH METERS [FEET]
CAU3DCVISAC-1M	1.0 [3.28]
CAU3DCVISAC-2M	2.0 [6.56]
CAU3DCVISAC-3M	3.0 [9.84]

- NOTES:**
- OPERATING TEMPERATURE -10°C TO 80°C
  - ALL DIMENSIONS ARE FOR REFERENCE ONLY
  - CABLE ASSEMBLY SHALL BE TESTED FOR CONTINUITY
  - CABLE ASSEMBLY SHALL BE INDIVIDUALLY PACKAGED IN POLY BAG.
  - CABLE ASSEMBLY CONSTRUCTED TO MEET USB 3.0 REQUIREMENTS.

THE INFORMATION CONTAINED IN THIS DRAWING IS THE SOLE PROPERTY OF INFINITE ELECTRONICS, INC. ANY REPRODUCTION IN PART OR WHOLE WITHOUT THE WRITTEN PERMISSION OF INFINITE ELECTRONICS, INC. IS PROHIBITED. THESE COMMODITIES, TECHNOLOGY OR SOFTWARE WERE EXPORTED FROM THE UNITED STATES IN ACCORDANCE WITH THE EXPORT ADMINISTRATION REGULATIONS. DIVERSION CONTRARY TO U.S. LAW PROHIBITED.

UNLESS OTHERWISE SPECIFIED LEADING DIMENSIONS ARE INCHES DIMENSIONS IN [ ] ARE MILLIMETERS

**TOLERANCES:**

X = ±.2 [5]	FRACTIONS ± 1/32
.XX = ±.02 [0.5]	ANGLES ± 1°
.XXX = ±.005 [0.13]	

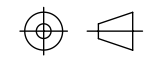
**CABLE LENGTH TOLERANCES:**

≤12 [305] = +1 [25] / -0
>12 [305] ≤ 60 [1524] = +2 [51] / -0
>60 [1524] ≤ 120 [3048] = +4 [102] / -0
>120 [3048] ≤ 300 [7620] = +6 [152] / -0
>300 [7620] = +5% / -0

ALL DIMENSIONS ARE FOR REFERENCE ONLY AND SUBJECT TO CHANGE WITHOUT NOTICE. UN-DIMENSIONED/NON-CRITICAL FEATURES MAY VARY IN SIZE AND LOCATION. COLORS MAY VARY



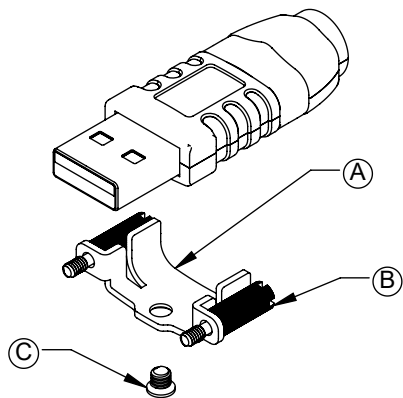
Website: www.L-com.com  
Phone: 1.800.341.5266 | 1.978.682.6936



INTERPRET ALL DIMENSIONS AND TOLERANCES PER ASME Y14.5

SCALE	SHEET
NONE	1 OF 2

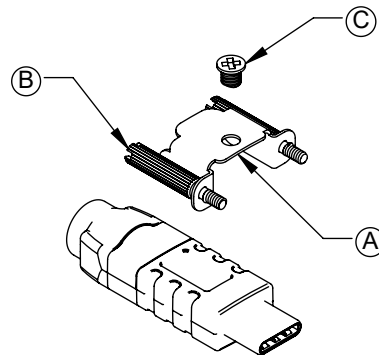
DESCRIPTION				
USB 3.0 A/C DIECAST W/ OPT VISION				
SIZE	CAGE CODE	DRAWN BY	ITEM NO.	REV
A	43321	DFRISIELLO	CAU3DCVISAC	B



USB 3.0 SERIES A  
ACCESSORIES DETAIL  
(INCLUDED WITH CABLE)

ITEM LETTER	SEPARATE ACCESSORIES	QTY
A	SHEET METAL BRACKET	1
B	M2 THUMBSCREW	2
C	M2.6 x 3.0 FLAT HEAD SCREW	1

NOTE: THUMBSCREWS AND FLAT HEAD SCREW MAY BE PREINSTALLED.



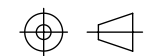
USB 3.0 SERIES C  
ACCESSORIES DETAIL  
(INCLUDED WITH CABLE)

ITEM LETTER	SEPARATE ACCESSORIES	QTY
A	SHEET METAL BRACKET	1
B	M2 THUMBSCREW	2
C	M2.6 x 2.5 FLAT HEAD SCREW	1

NOTE: THUMBSCREWS AND FLAT HEAD SCREW MAY BE PREINSTALLED.

**L-com**<sup>®</sup>  
an INFINIT<sup>®</sup> brand

Website: [www.L-com.com](http://www.L-com.com)  
Phone: 1.800.341.5266 | 1.978.682.6936



INTERPRET ALL DIMENSIONS AND TOLERANCES PER ASME Y14.5

SCALE	SHEET
NONE	2 OF 2

DESCRIPTION				
USB 3.0 A/C DIECAST W/ OPT VISION				
SIZE	CAGE CODE	DRAWN BY	ITEM NO.	REV
A	43321	DFRISIELLO	CAU3DCVISAC	B

THE INFORMATION CONTAINED IN THIS DRAWING IS THE SOLE PROPERTY OF INFINITE ELECTRONICS, INC. ANY REPRODUCTION IN PART OR WHOLE WITHOUT THE WRITTEN PERMISSION OF INFINITE ELECTRONICS, INC. IS PROHIBITED. THESE COMMODITIES, TECHNOLOGY OR SOFTWARE WERE EXPORTED FROM THE UNITED STATES IN ACCORDANCE WITH THE EXPORT ADMINISTRATION REGULATIONS. DIVERSION CONTRARY TO U.S. LAW PROHIBITED.

ALL DIMENSIONS ARE FOR REFERENCE ONLY AND SUBJECT TO CHANGE WITHOUT NOTICE. UN-DIMENSIONED/NON-CRITICAL FEATURES MAY VARY IN SIZE AND LOCATION. COLORS MAY VARY.